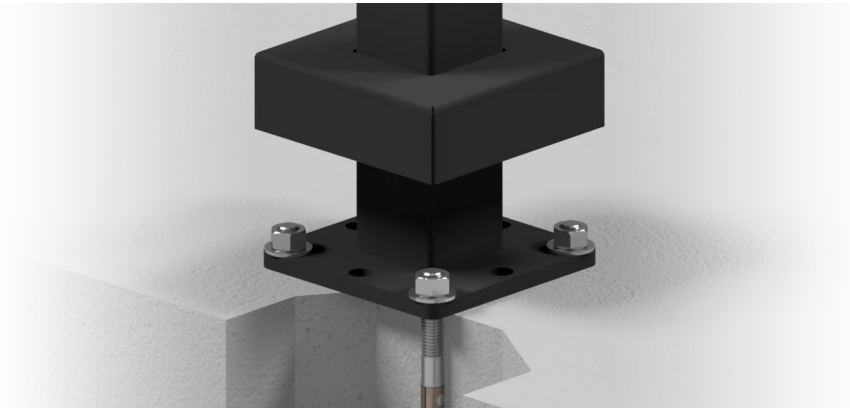
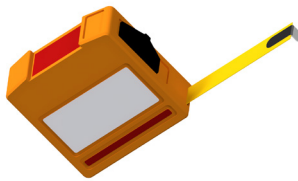


Level - Special Application Post Installation Guide



Tools Needed for this Installation



Tape Measure



Pencil



Chalk Line



Drill



3/8" Concrete Drill Bit



Vacuum



Wire Brush



Hammer



5/16" Open End Wrench



Torque Wrench w/ 5/16" Socket



Post Level



Angle Grinder with Metal Cutoff Disk

Things to Know Before You Get Started

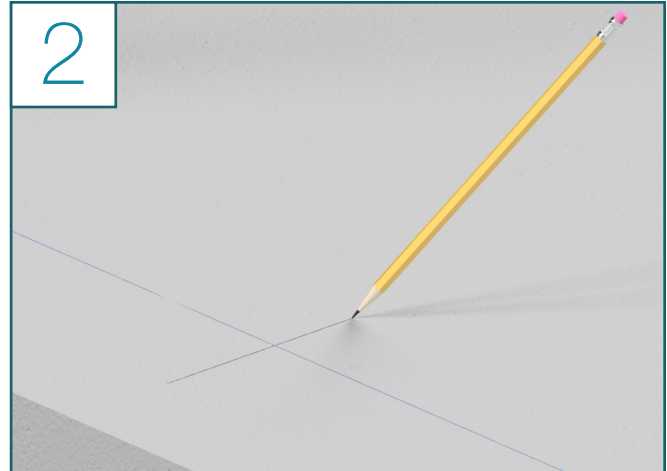
- Read over the provided material to identify post types
- If installing Rod Posts, ensure that the foam blocks are inside the posts before beginning your rod railing installation
- Surface Mount Posts require 4" of blocking for structural integrity
- All posts are designed to be mounted to a non-compressible surface. They will not mount properly to drywall or carpet



YouTube

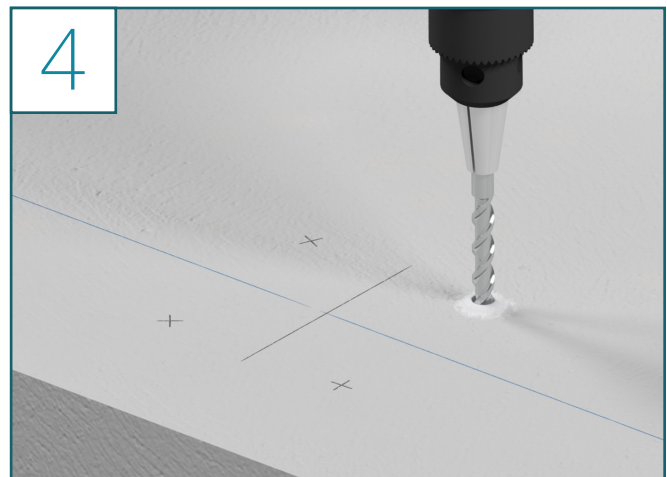
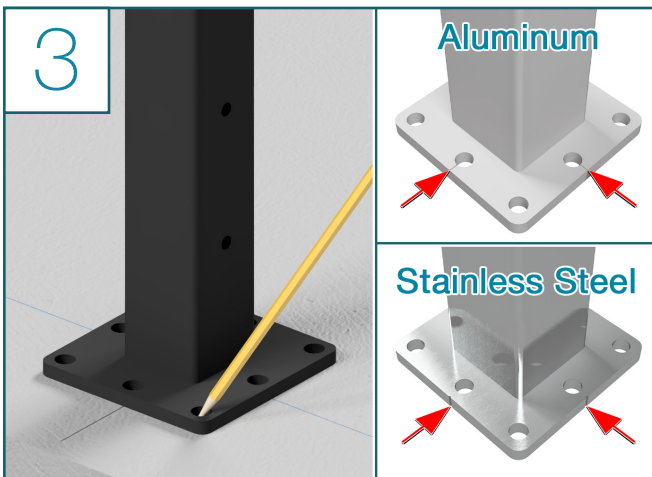
Visit our YouTube channel to watch helpful installation videos
youtube.com/viewrail

Special Application Post Installation Steps - Level Post



- Using your provided project layout identify the run you want to do first
- Measure and snap a chalk line to mark the run. Keep in mind that the fasteners for the post must be, at minimum, 3" from any concrete edge
- That would put your chalk line about 5" from the edge

- Using the layout provided and a tape measure, mark the center of where you want to mount each post



- Take the post and center it on your chalk line
- If the foot plate has marks, these can be used to orient the post properly
- Mark the hole placements
- Occupy the four corner holes, or the four center holes
- Make sure every fastener location is, at minimum, 3" from the edge of the concrete
- Set the post aside

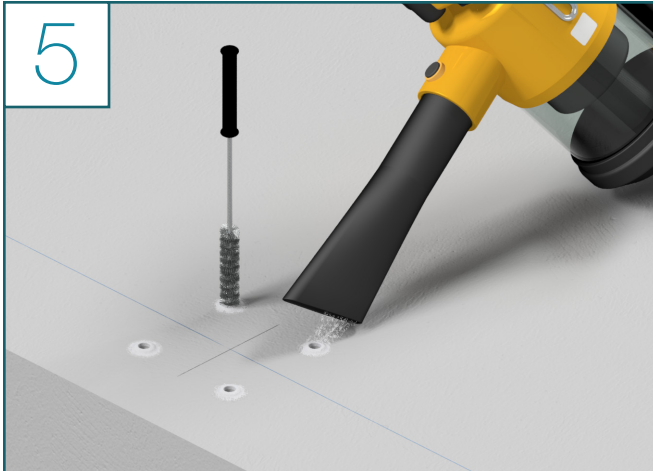
- Using a hammer drill and a $\frac{3}{8}$ " cement bit, drill each marked location $3\frac{3}{4}$ " deep into the concrete.

Helpful Tip:

Slightly bevel the entry to the hole with the bit

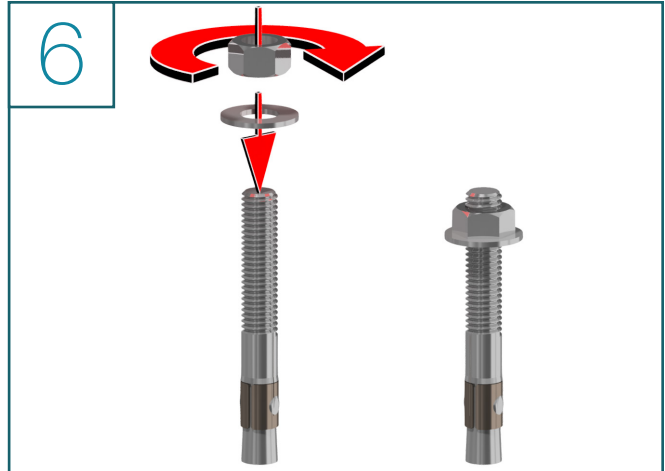
Note: It is possible with our textured powder coats, that the mark lines on the Aluminum post feet may be hard to see.

Special Application Post Installation Steps - Level Post (Continued)



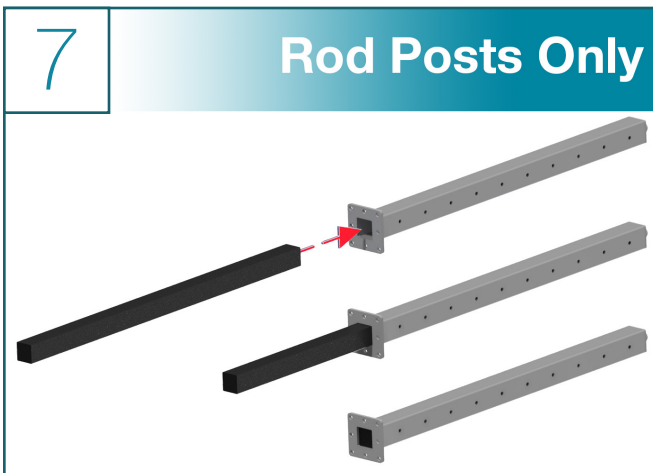
5

- Using a shop vac or compressed air, clean out each of the mounting holes.
- For best results, use a $\frac{3}{8}$ " wire brush to help remove any dust



6

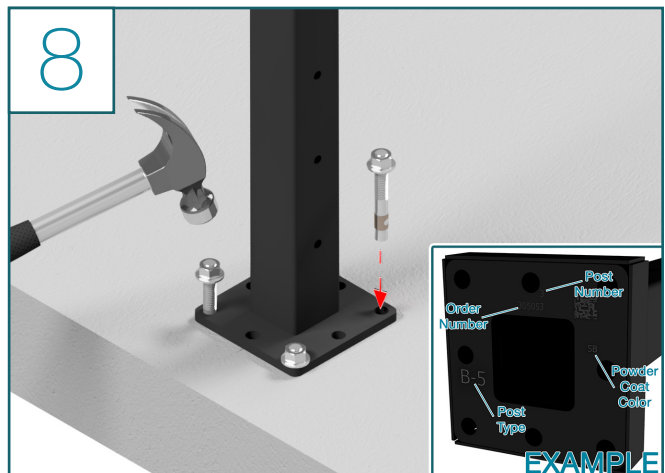
- Place the washer on the wedge anchor and then tighten the nut to cover the first threads. A small portion of non-threaded metal should be above the nut
- At least $1\frac{3}{4}$ " of the wedge anchor should be in the concrete



7

Rod Posts Only

- Slide the Foam Insert into each post
- This ensures that the rods will not rattle & make noise



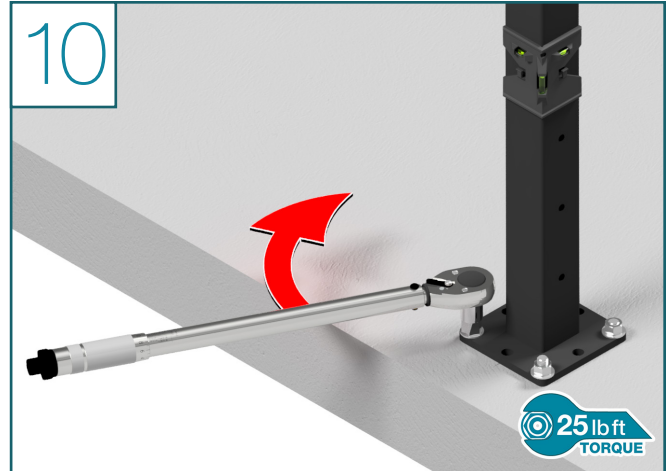
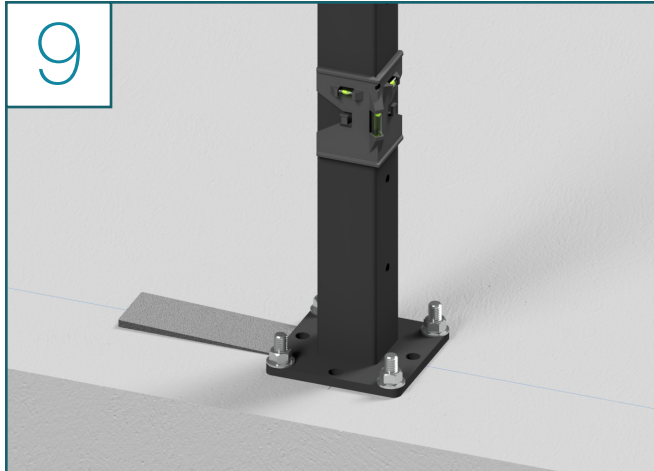
8

- Place the wedge anchor into the pre-drilled hole
- Using a hammer, hit the wedge anchor into the hole until the washer is flush against the foot plate. It will be a snug fit
- Repeat this for every wedge anchor

Note:

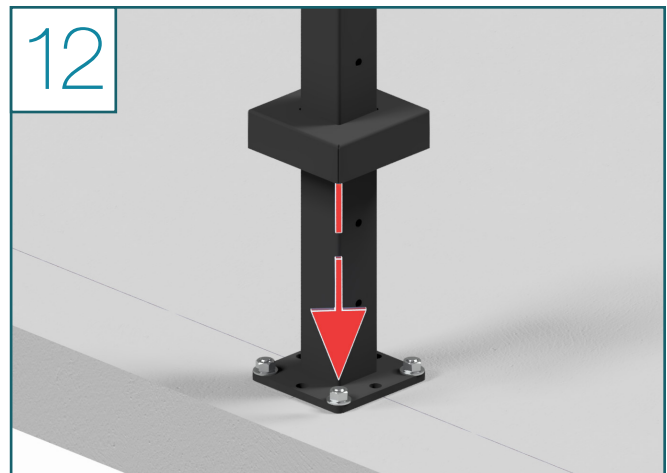
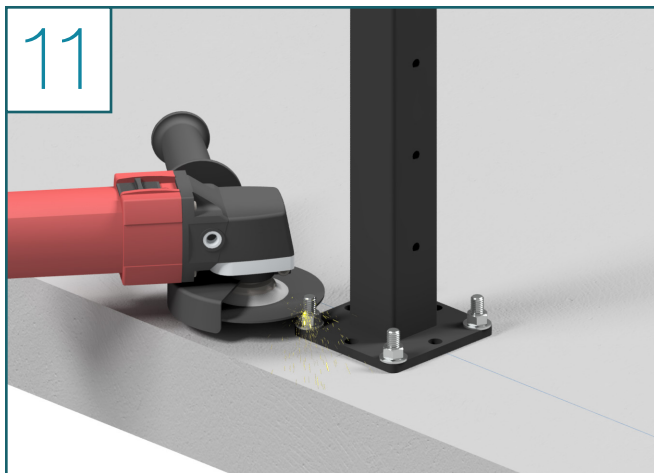
You can identify the post by the information stamped onto the bottom of the foot.

Special Application Post Installation Steps - Level Post (Continued)



- Using a post level, tighten every wedge anchor and shim as needed
- Using an open ended wrench, tighten the nut until it is very snug
- Loosen or tighten the nuts to help level the post

- Once the post is level, use a torque wrench, torque the nut to 25 lb-ft
- Recheck for plum



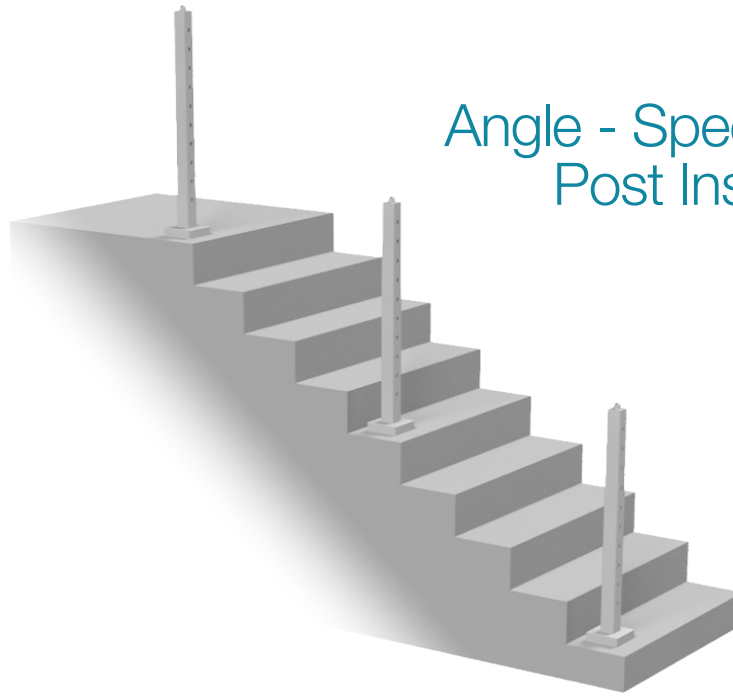
- If too much of the wedge anchor is raised, use a cutting wheel or a hacksaw to cut off the excess

- Slide the foot cover into place

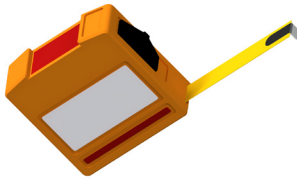
Congratulations! You're done with this section.

We'd love to see your work! Snap a few pics with your phone and send them to pictures@viewrail.com. Thanks for choosing Viewrail. Enjoy your new installation!

Angle - Special Application Post Installation Guide



Tools Needed for this Installation



Tape Measure



Pencil



Chalk Line



Drill



3/8" Concrete Drill Bit



Vacuum



Wire Brush



Hammer



5/16" Open End Wrench



Torque Wrench
w/ 5/16" Socket



Post Level



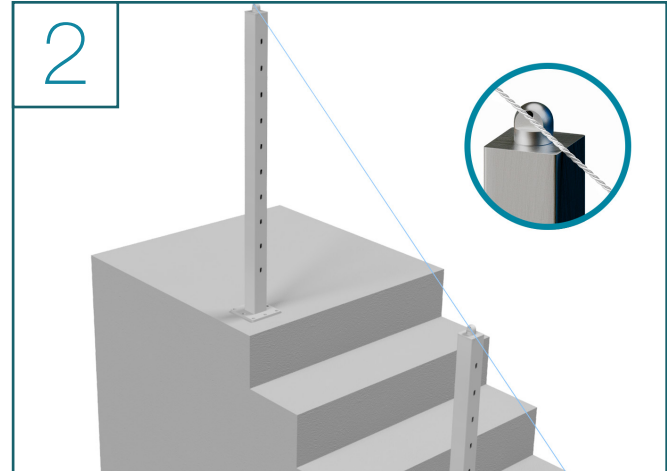
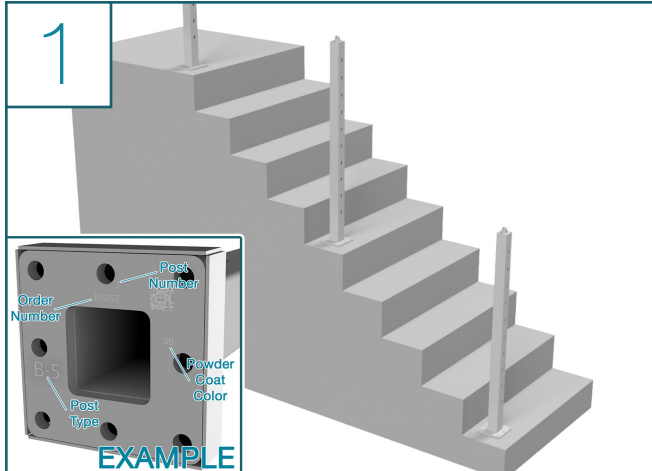
Angle Grinder with
Metal Cutoff Disk

Things to Know Before You Get Started

- Read over the provided material to identify post types
- If installing Rod Posts, ensure that the foam blocks are inside the posts before beginning your rod railing installation
- All posts are designed to be mounted to a non-compressible surface. They will not mount properly to drywall or carpet



Special Application Post Installation Steps - Angle Post



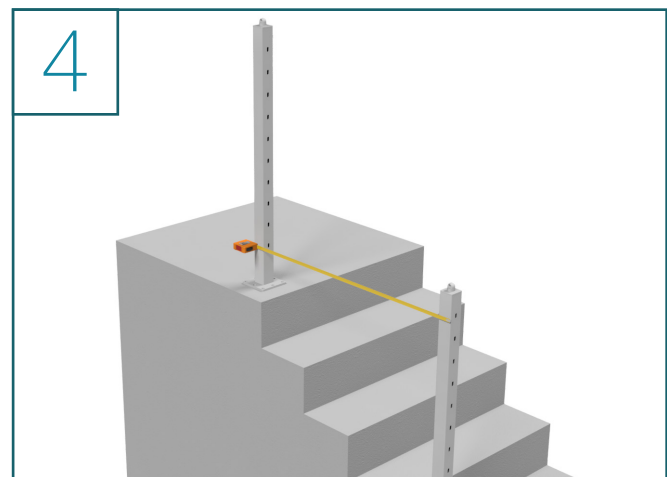
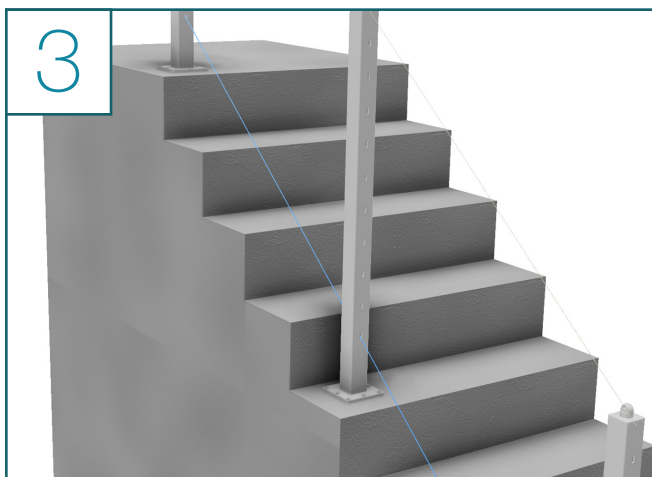
- Identify the posts needed for the stairs and set them in place according to your project layout
- Unless otherwise specified, the posts should sit just behind the tread nosing

- Run a string along the top of the posts to ensure the angle is correct and the posts tops are at the same height

Note:

*If you are using a **BC** or **BR** post on a stair run, the **BC** post is designed to mount towards the center of the tread, and the **BR** post is designed to mount towards the rear of the tread.*

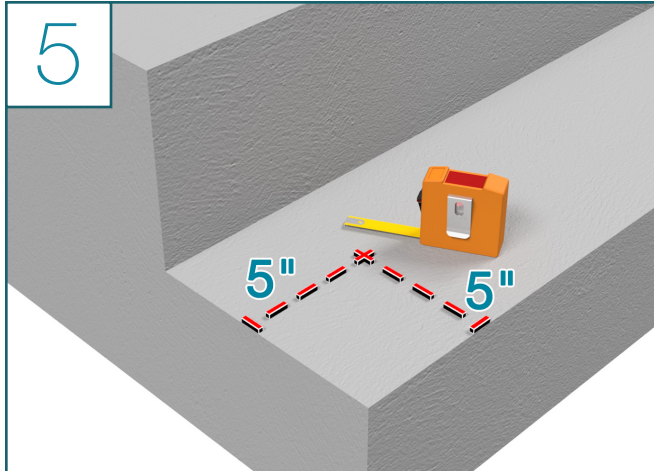
You can identify the post by the information stamped onto the bottom of the foot.



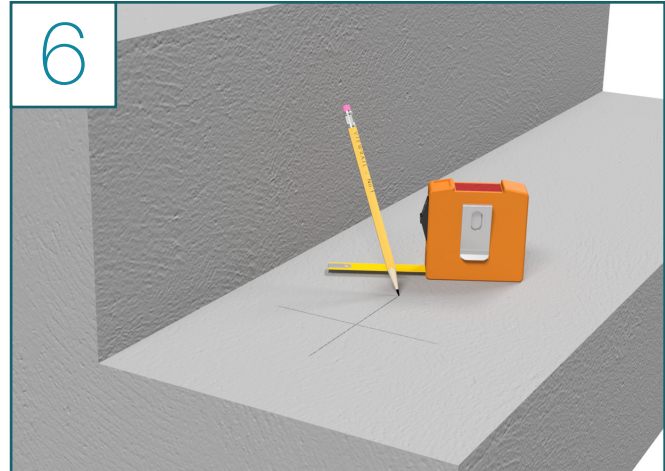
- Run string through the bottom holes of each post to ensure the infill would not hit the nosing of the treads

- Measure & verify the distance between posts against your drawings
- Distances between posts should closely match the distances on the drawings

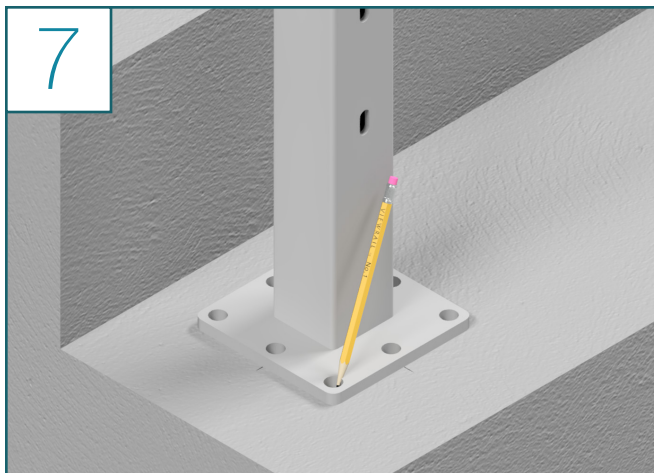
Special Application Post Installation Steps - Angle Post (Continued)



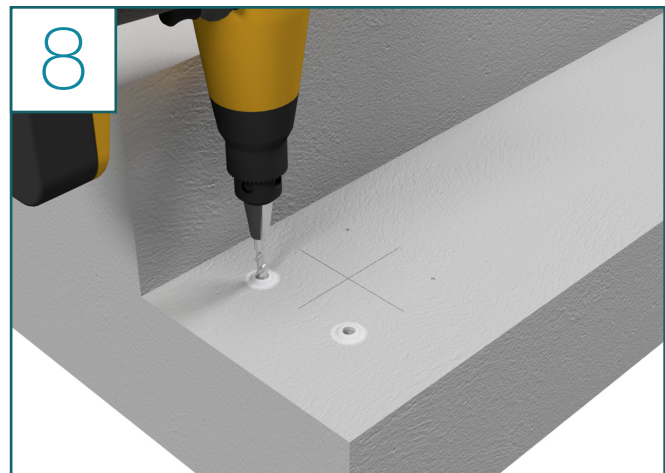
- Using your provided project layout identify the run you want to do first
- Measure to mark the run
- Keep in mind that the fasteners for the post must be, at minimum, 3" from any concrete edge
- That would put center of the post about 5" from the nosing and the edge of the tread



- Using the layout provided and a tape measure, mark the center of where you want to mount each post



- Take the post and center it on that mark
- Mark the hole placements
- Occupy the four corner holes, or the four center holes.
- Make sure every fastener location is, at minimum, 3" from the edge of the concrete

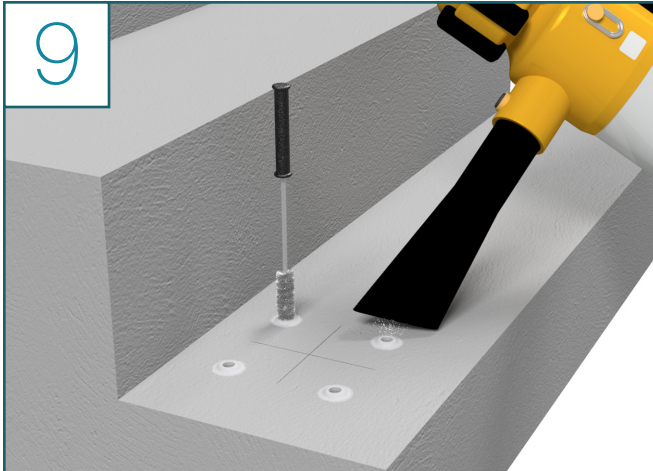


- Using a hammer drill and a $\frac{3}{8}$ " cement bit, drill each marked location $3\frac{3}{4}$ " deep into the concrete.

Helpful Tip:

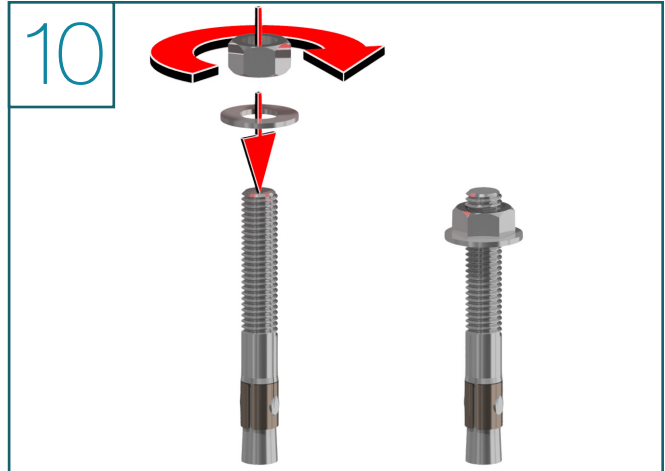
Slightly bevel the entry to the hole with the bit

Special Application Post Installation Steps - Angle Post (Continued)



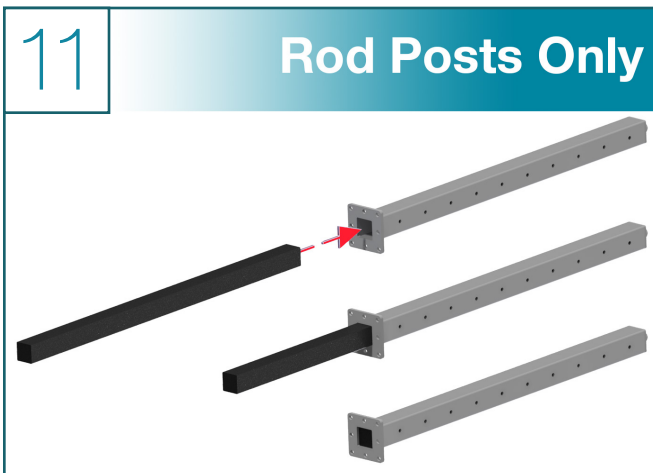
9

- Using a shop vac or compressed air, clean out each of the mounting holes.
- For best results, use a $\frac{3}{8}$ " wire brush to help remove any dust



10

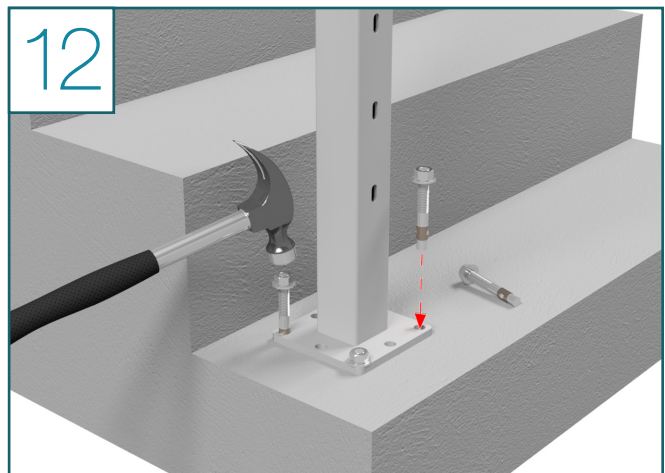
- Place the washer on the wedge anchor and then tighten the nut to cover the first threads. A small portion of non-threaded metal should be above the nut
- At least $1\frac{3}{4}$ " of the wedge anchor should be in the concrete



11

Rod Posts Only

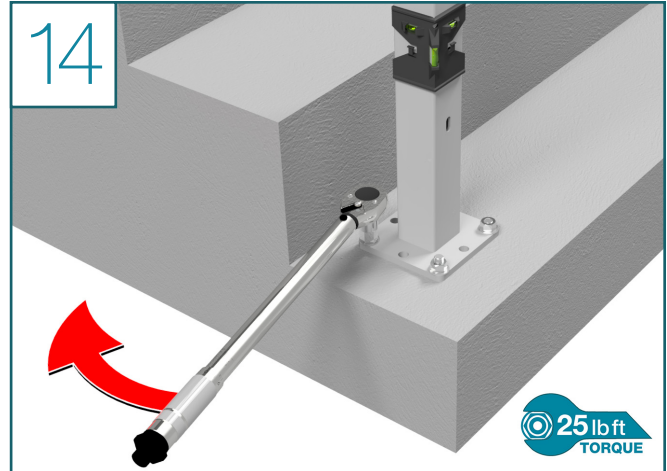
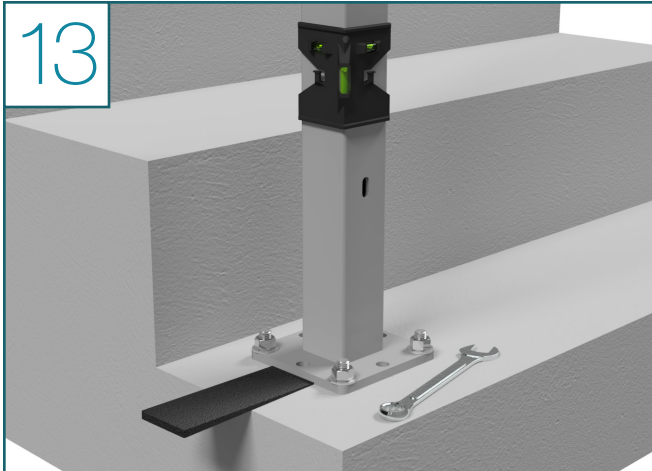
- Slide the Foam Insert into each post
- This ensures that the rods will not rattle & make noise



12

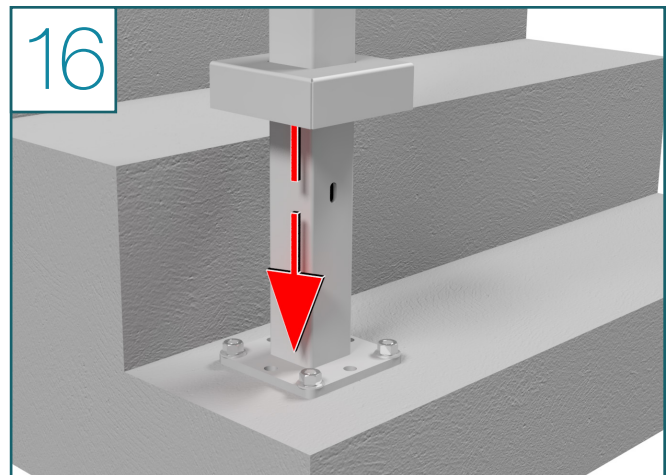
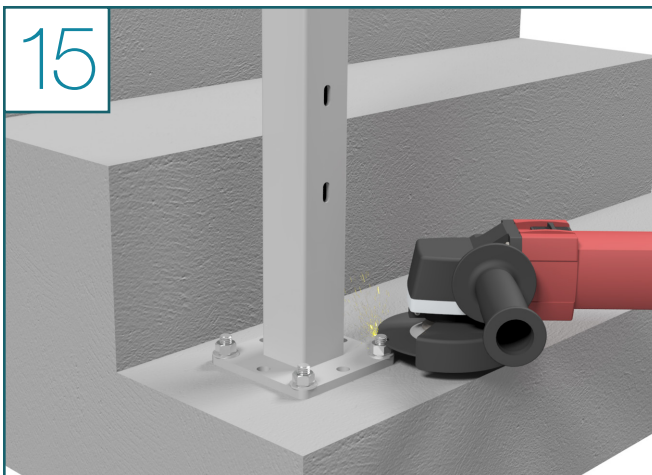
- Place the wedge anchor into the pre-drilled hole
- Using a hammer, hit the wedge anchor into the hole until the washer is flush against the foot plate. It will be a snug fit
- Repeat this for every wedge anchor

Special Application Post Installation Steps - Angle Post (Continued)



- Using a post level, tighten every wedge anchor and shim as needed
- Using an open ended wrench, tighten the nut until it is very snug
- Loosen or tighten the nuts to help level the post

- Once the post is level, use a torque wrench, torque the nut to 25 lb-ft
- Recheck for plumb



- If too much of the wedge anchor is raised, use a cutting wheel or a hacksaw to cut off the excess

- Slide the foot cover into place

Congratulations! You're done with this section.

We'd love to see your work! Snap a few pics with your phone and send them to pictures@viewrail.com. Thanks for choosing Viewrail. Enjoy your new installation!