



# Rod Railing Installation Instructions



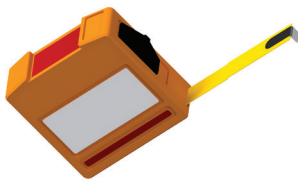
## Table of Contents

*Read over the provided material prior to the start of your installation*

Safety Notice .....	2
Rod Railing Hardware .....	3
Post to Post - Order of Installation .....	4
Level Tension End to Level Tension End .....	6
Level Anchor Kit to Level Tension End .....	9
Angle Tension End to Angle Tension End .....	14
Angle Anchor Kit to Angle Tension End .....	18
Rod Coupling .....	23
Rod Post Hardware Identification & Quantities Chart .....	27

***\*Before installing any rod infill, please ensure all posts and handrail are fully installed***

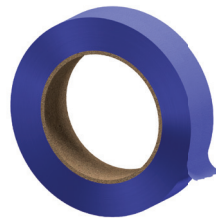
### Tools Needed for this Installation



Tape Measure



Marker or Pencil



Painter's Tape



Multi-Function Hand Tool



5/32" Allen Wrench



Deburring Tool

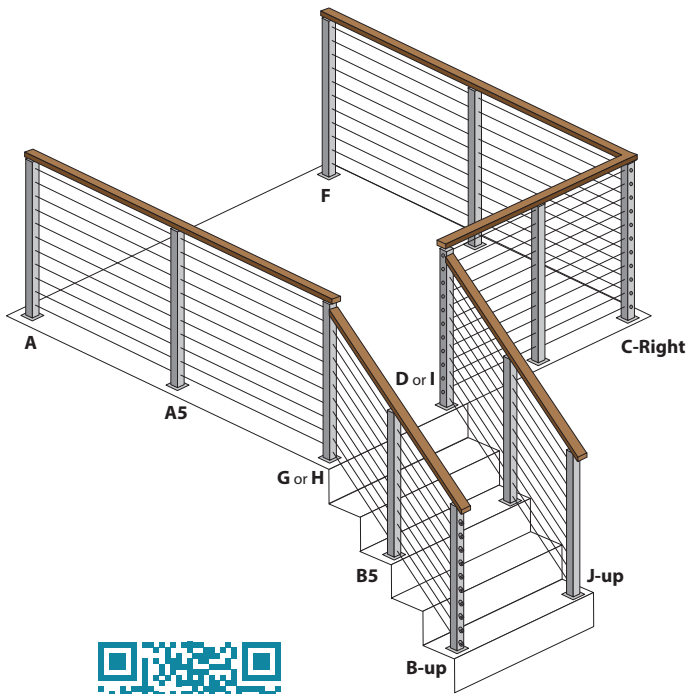


Rod Anchor Install Tool



Angle Grinder or Dremel Tool

# Rod Railing Hardware



To view our interactive post page go to <https://www.viewrail.com/resource-center/interactive-post-page> or scan this code with your smartphone.



### Level Tension Receiver

Paired with the Threaded Crimp Fitting, this part is tightened with an Allen wrench to create rod tension.

### Level Rod Anchor

This part is used to lock to the inside of the post and the threaded crimp fitting is fastened into it.

### Angle Rod Anchor

This part locks to the inside of an angled post and the threaded crimp fitting is fastened into it.

### Threaded Crimp Fitting

Double-crimped to rod, this part is threaded into a Tension Receiver to create rod tension.

### Angle Washer

This part is used to modify the Tension Receiver for use on an angle. Available in job-specific angles.

### Rod Coupler

This part is used to join 2 lengths of rod together.

## Post/Component Reference

Each type of Viewrail Rod Post is listed below in blue along with the rod components that go with it.

### A Post

Level Tension End

### A-5 Post

No Fittings

### B-Up/B-Down Post

Angle Tension End

### B-5 Post

No Fittings

### C Post

Level Tension End  
Level Anchor Kit

### D Post

Angle Tension End  
Level Tension End

### F Post

Level Anchor Kit

### G Post

Angle Anchor Kit  
Level Anchor Kit

### H Post

Angle Anchor Kit  
Level Anchor Kit

### I Post

Angle Tension End  
Level Tension End

### J-Up/J-Down Post

Angle Anchor Kit

### R Post

Level Anchor Kit

### S Post

No Fittings

To view a quantified list of which components go with each post, view pages 26 and 27



# Post to Post - Order of Installation

Through hundreds of on site installations, we have come up with the best order to install infill into your system depending on what posts are being used. Please review the table below and compare it against your order contents to find the best way for you to have an easy installation.

Configuration	Configuration Description	Order of Installation
A to A	Level Tension End To Level Tension End	Start with C
A to C <sup>1</sup>	Level Tension End To Level Tension End	Start with C
A to C <sup>1</sup>	Level Tension End to Level Anchor Kit	Start with F
A to D	Level Tension End To Level Tension End	-
A to F	Level Tension End to Level Anchor Kit	Start with H
A to G	Level Tension End to Level Anchor Kit	Start with G
A to H	Level Tension End to Level Anchor Kit	Start with I
A to I	Level Tension End to Level Tension End	Start with D
A to R	Level Tension End to Level Anchor Kit	Start with R
Configuration	Configuration Description	Order of Installation
F to C <sup>2</sup>	Level Anchor Kit to Level Tension End	Start with F
F to D	Level Anchor Kit to Level Tension End	Start with F
F to I	Level Anchor Kit to Level Tension End	Start with F
Configuration	Configuration Description	Order of Installation
C <sup>1</sup> to D	Level Tension End to Level Tension End	Start with C
C <sup>1</sup> to D	Level Anchor Kit to Level Tension End	Start with C
C <sup>1</sup> to G	Level Tension End to Level Anchor Kit	Start with C
C <sup>1</sup> to H <sup>2</sup>	Level Tension End to Level Anchor Kit	Start with C
C <sup>1</sup> to I	Level Tension End to Level Tension End	Start with H
C <sup>1</sup> to I	Level Anchor Kit to Level Tension End	Start with G
C <sup>1</sup> to R <sup>2</sup>	Level Tension End to Level Anchor Kit	Start with R

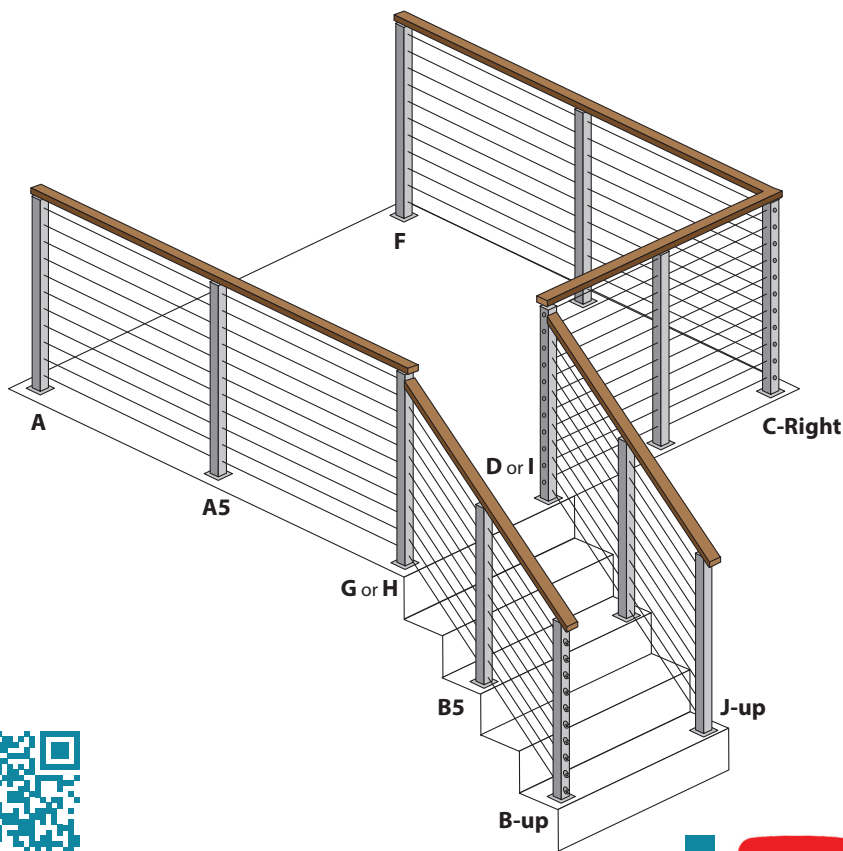
<sup>1</sup> Depending on C post orientation

<sup>2</sup> Can't do Level/Angle Anchors to a Level/Angle Anchors



Post to Post - Order of Installation (Continued)

Configuration	Configuration Description	Order of Installation
R to D	Level Anchor Kit to Level Tension End	Start with R
R to I	Level Anchor Kit to Level Tension End	Start with R
Configuration	Configuration Description	Order of Installation
B Up to B Down	Angle Tension End to Angle Tension End	Start with B Up
B Up to D	Angle Tension End to Angle Tension End	Start with B Up
B Up to G	Angle Tension End to Angle Anchor Kit	Start with B Up
B Up to H	Angle Tension End to Angle Anchor Kit	Start with J Down
B Up to I	Angle Tension End to Angle Tension End	Start with B Up
B Up to J Down	Angle Tension End to Angle Anchor Kit	Start with B Up
Configuration	Configuration Description	Order of Installation
J Up to B Down	Angle Anchor Kit to Angle Tension End	Start with J Up
J Up to D	Angle Anchor Kit to Angle Tension End	Start with J Up
J Up to I	Angle Anchor Kit to Angle Tension End	Start with J Up



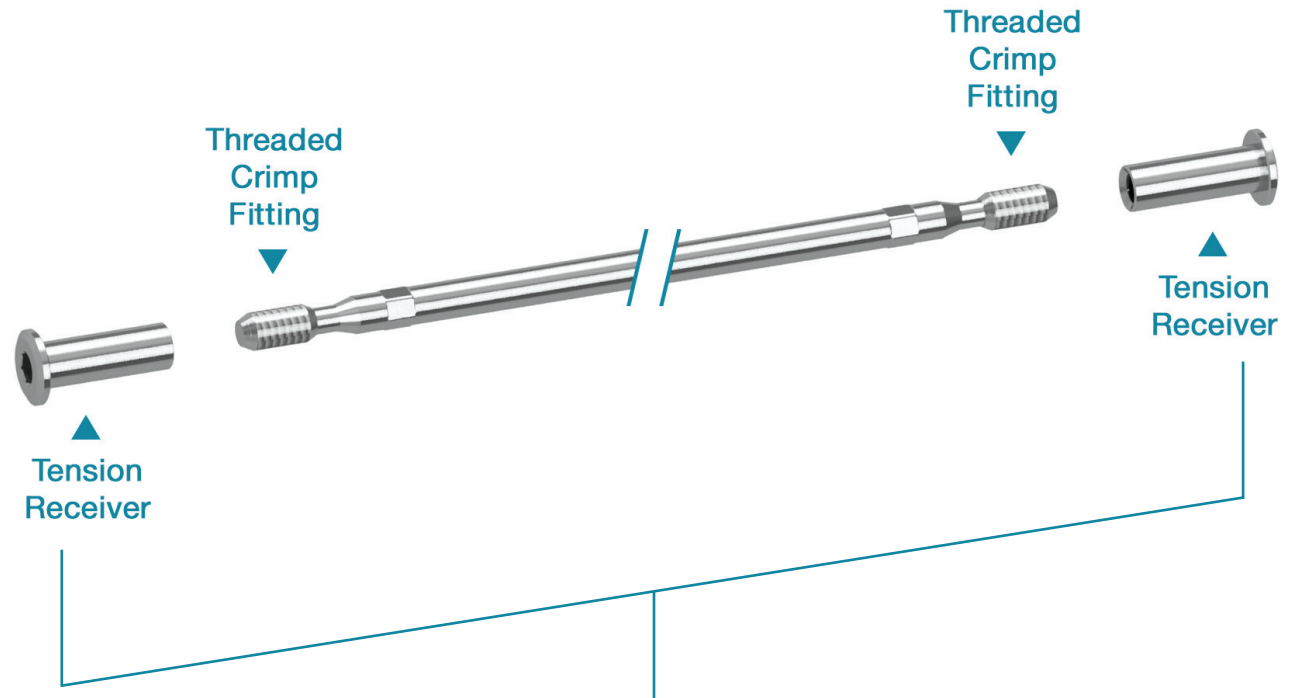
To view our interactive post page go to <https://www.viewrail.com/resource-center/interactive-post-page> or scan this code with your smartphone.

Visit our YouTube channel to watch helpful installation videos  
[youtube.com/viewrail](https://youtube.com/viewrail)



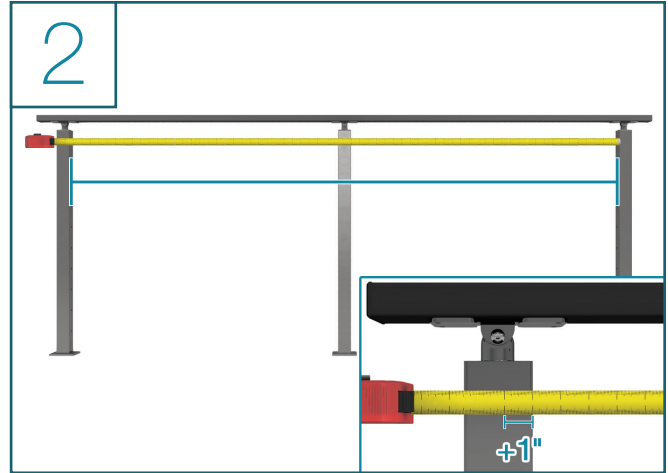
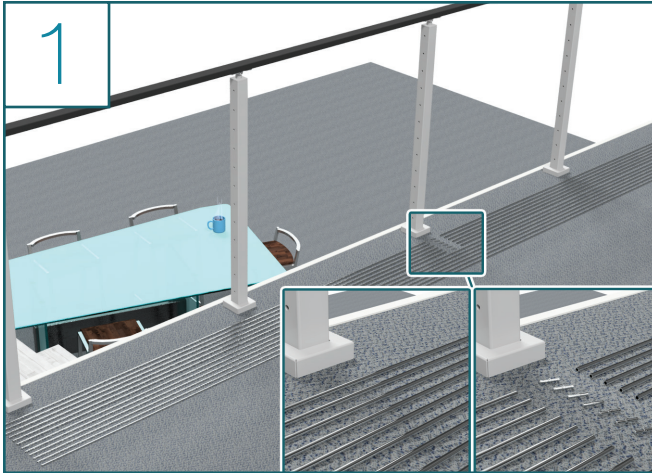
# Rod Railing Installation Guide

## Level Tension End to Level Tension End



**Level Tension Receiver**  
<https://www.youtube.com/watch?v=SB04I3S6NbA>

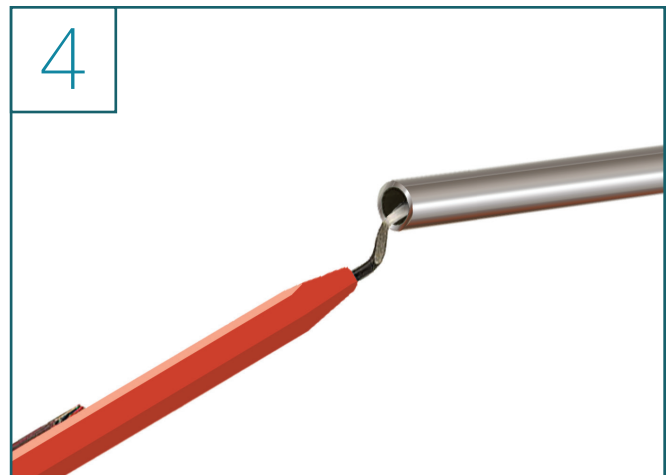
### Rod: Level Tension to Level Tension Installation Steps



- It is recommended to lay out all the rods beforehand to make sure all rods accounted for
- Whether the rods are singled or coupled, the collective rod length should be longer than the run
- Coupled rod seams are designed to be hidden inside intermediate posts

- Measure the distance between the inside faces of the two end posts
- Add 1" in total, to the measurement
- This will be your rod cut length

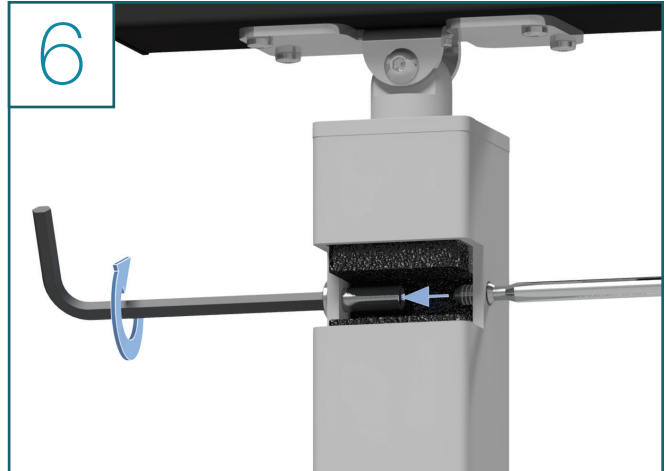
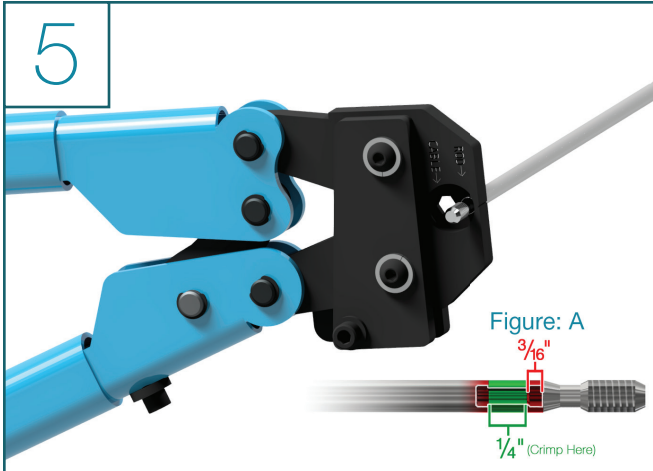
*Note: For Rod Coupling Instructions please see page 22*



- Using the angle grinder, cut the rods to the modified measurement from the previous step

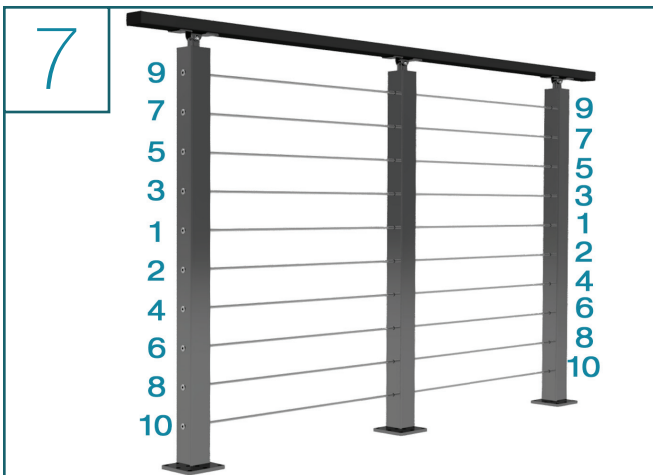
- Use the deburring tool to remove any rough edges
- To deburr, insert the tool into the rod and turn the tool in a circle so the blade cuts and removes the burrs

Rod: Level Tension to Level Tension Installation Steps (Continued)



- Insert the Threaded Crimp Fitting into one end of the rod
- Crimp the fitting near the Crimp Fitting Flange
- Rotate the rod and Crimp Fitting 90° and crimp again
- Repeat these steps to the other side of the run
- Make sure to crimp the rod in the depression of the crimp fitting, and not on the raised collars - See Figure A above

- Thread the rod through all the posts on your run
- The rods will need to punch through the foam inserts in the middle of the post
- Insert Tension Receivers into the 5/16" Holes on the outside of the end posts
- Use the supplied Allen wrench to tighten the Tension Receiver only snug enough to keep it in place on each side



Congratulations!  
You're done with this section.

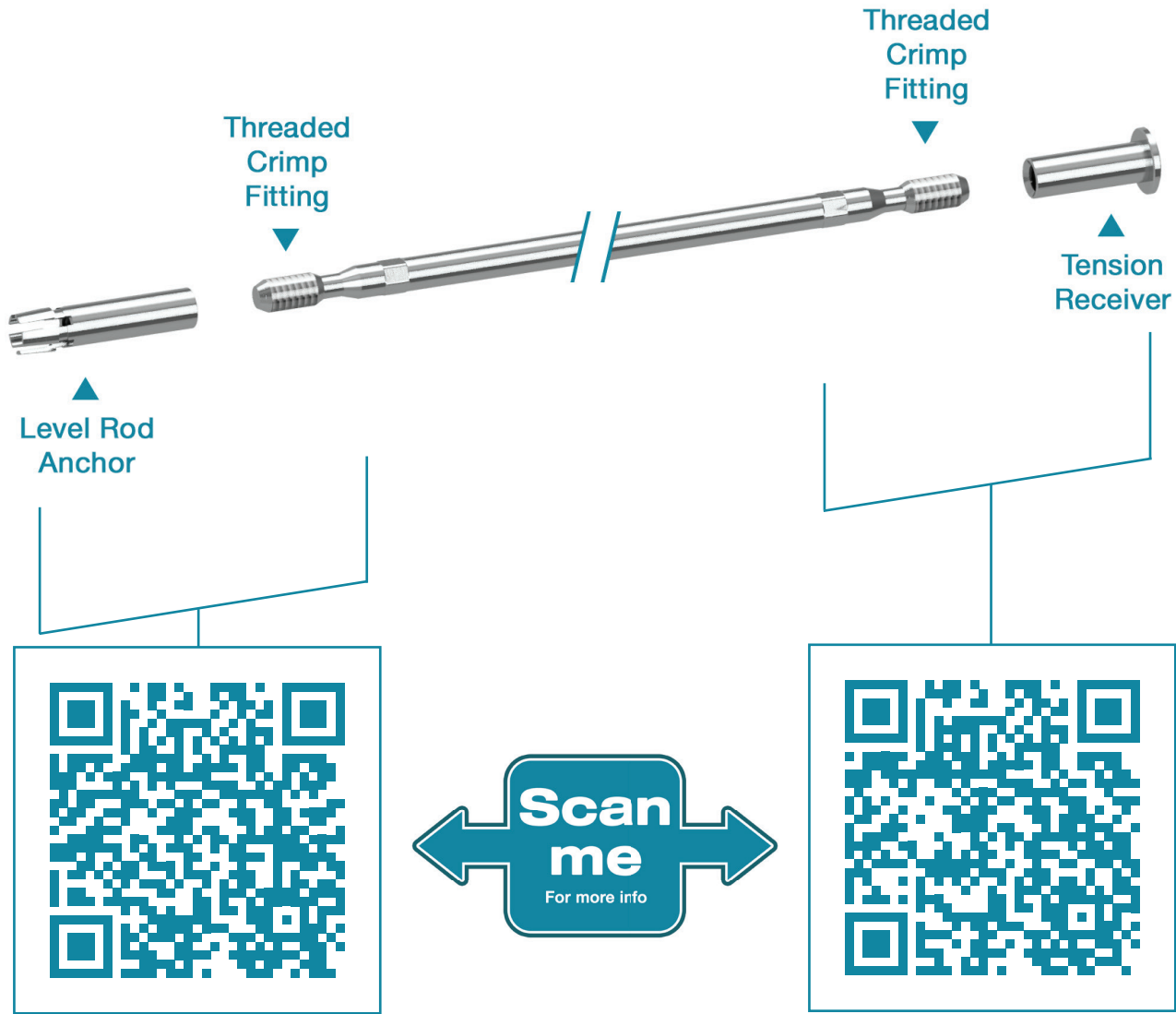
We'd love to see your work! Snap a few pics with your phone and send them to [pictures@viewrail.com](mailto:pictures@viewrail.com). Thanks for choosing Viewrail. Enjoy your new installation!

- After all rods are ready, tension in sequence
- Draw the rod taut until you feel resistance, then turn the Tension Receiver another half turn

***\*Before tensioning any rod infill, please ensure all posts and handrail are fully installed***

# Rod Railing Installation Guide

## Level Anchor Kit to Level Tension End



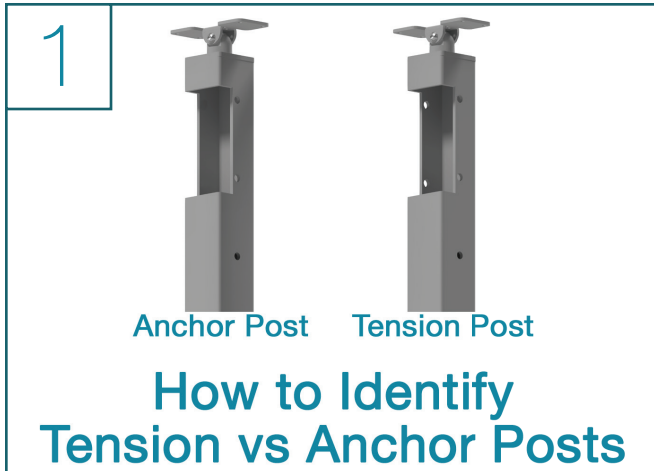
### Level Rod Anchor

[https://www.youtube.com/watch?v=0YhuR7K\\_TCU](https://www.youtube.com/watch?v=0YhuR7K_TCU)

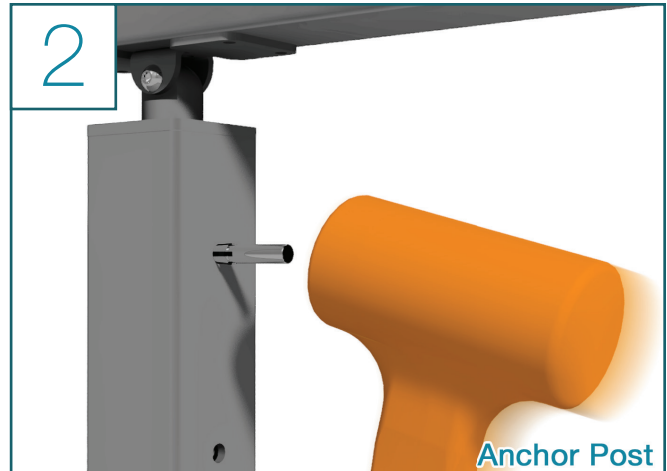
### Level Tension Receiver

<https://www.youtube.com/watch?v=SB04I3S6NbA>

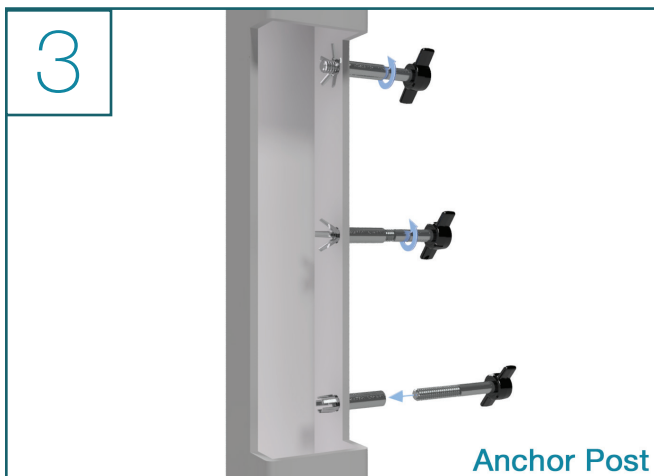
Rod: Level Anchor to Level Tension Installation Steps



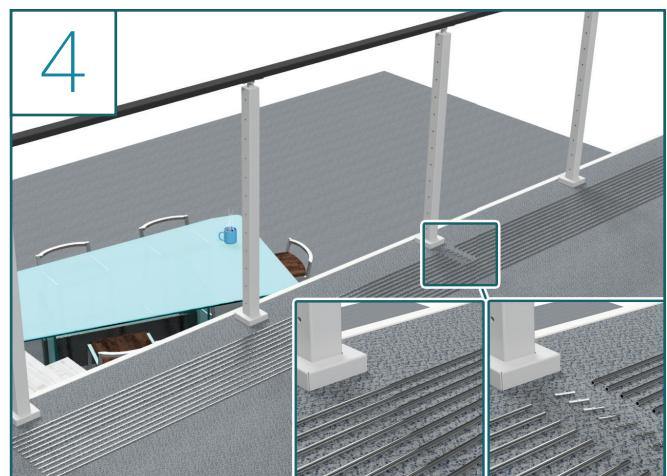
- When installing a run with both a Level Anchor Kit and Level Tension End, always begin by attaching the Level Anchor Kit side first
- **Level Tension Ends** will have  $\frac{5}{16}$ " holes all the way through the post
- **Level Anchor Kits** will have a  $\frac{5}{16}$ " hole through one side of the post only



- Close the anchor flanges just enough to place into the post hole
- During this step, it is helpful to hold the fitting near the post while tapping with the hammer - This will help keep the fitting from being hit completely into the post
- Gently tap the Level Rod Anchor into the post with a dead-blow hammer
- Flanges of the Level Rod Anchor should be completely hidden inside the post, with the smooth body exposed



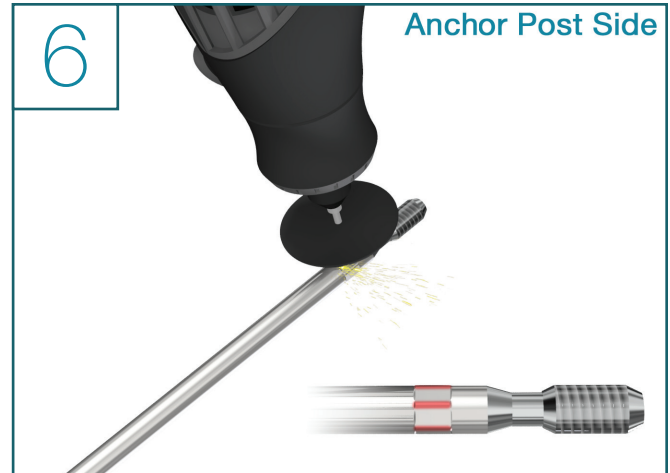
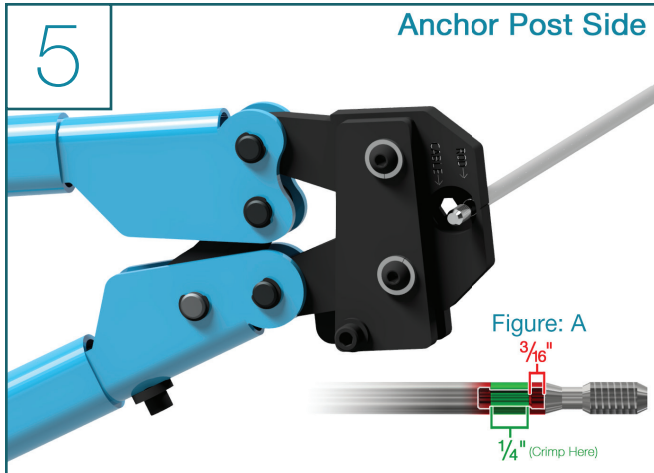
- During this step, hold the fitting near the post - This will help keep the fitting from being lost inside the post, and will also help engage the tool
- Thread the Level Rod Anchor Tool completely into the Anchor Fitting
- This will flare out the Anchor flanges and lock it to the inside of the post



- It is recommended to lay out all the rods beforehand to make sure all rods accounted for
- Whether the rods are singled or coupled, the collective rod length should be longer than the run
- Coupled rod seams are designed to be hidden inside intermediate posts

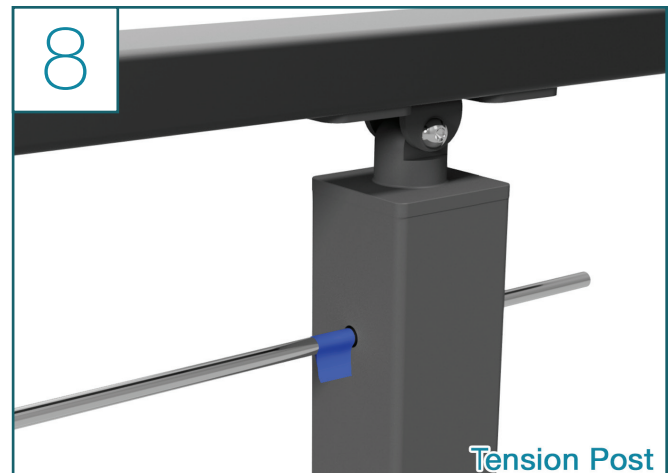
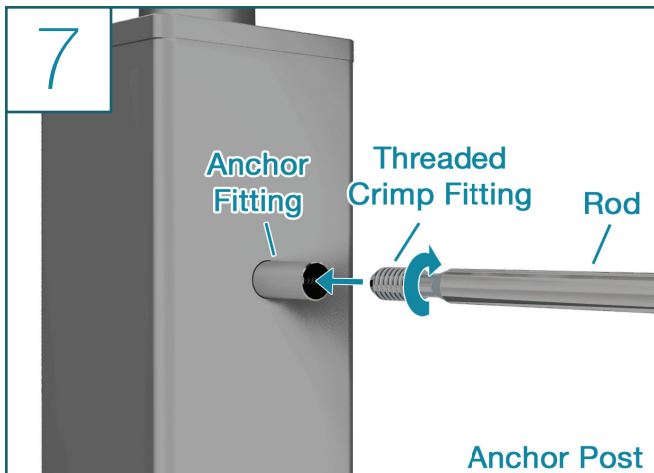
*Note: For Rod Coupling Instructions please see page 22*

Rod: Level Anchor to Level Tension Installation Steps (Continued)



- Insert the Threaded Crimp Fitting into one end of the rod
- Crimp the fitting near the Crimp Fitting Flange
- Rotate the rod and Crimp Fitting 90° and crimp again
- Repeat these steps to the other side of the run
- Make sure to crimp the rod in the depression of the crimp fitting, and not on the raised collars - See Figure A above

- Before moving on, the crimping process may have pushed up ridges in the metal
- Use a Dremel tool or the Angle Grinder to smooth these ridges out - This will help fully seat the rod in the Level Rod Anchor

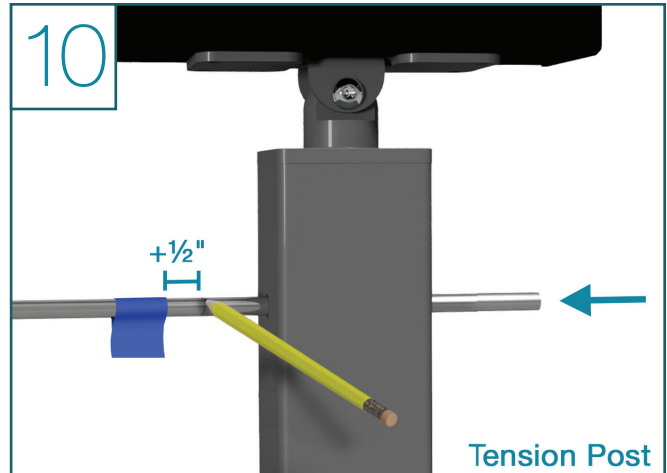
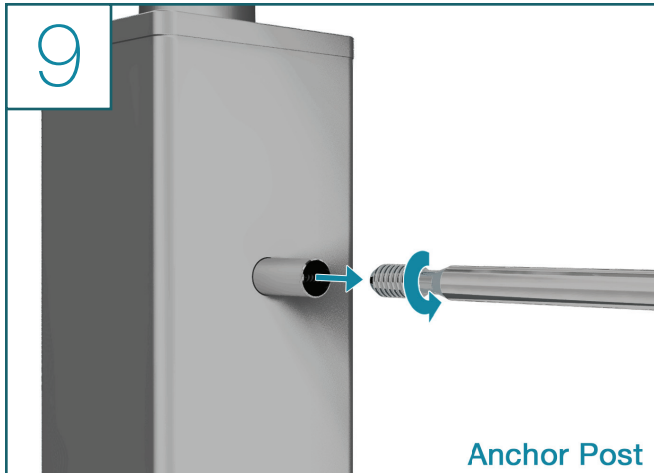


- Run the crimped end of the rod through the posts, punching through the foam middles, and thread the rod into the Anchor Fitting
- Hold the Anchor Fitting during this process
- The threaded crimp fitting should be fully seated into the Level Rod Anchor

- Move to the tension post on the other end of the run
- Place painters tape on the inside face of the tension post, to mark its position

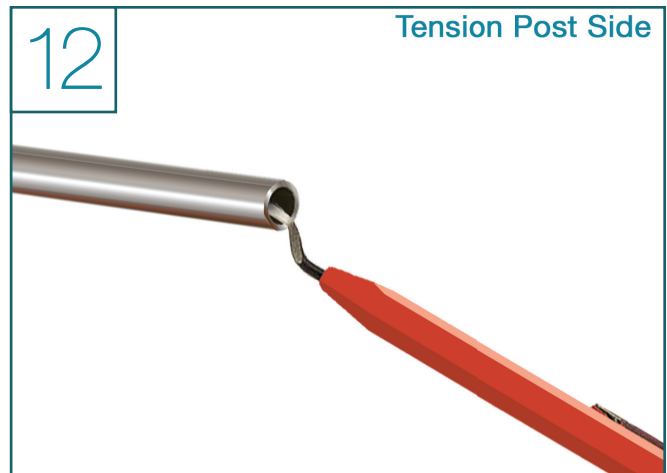
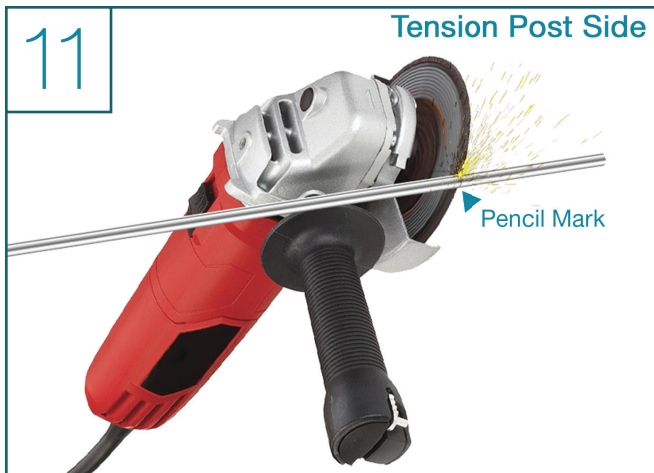


Rod: Level Anchor to Level Tension Installation Steps (Continued)



- Return to the Anchor post
- Remove the rod from Rod Anchor Fitting and slide it back a few inches
- Pull the rod anchor out as far as you can, to avoid dropping it into the post
- It may be useful to use painters tape to hold the fitting in place

- Slide the rod back a bit
- Add 1/2" past the edge of the painters tape
- Mark it with a pencil or marker
- This will be your rod cut length

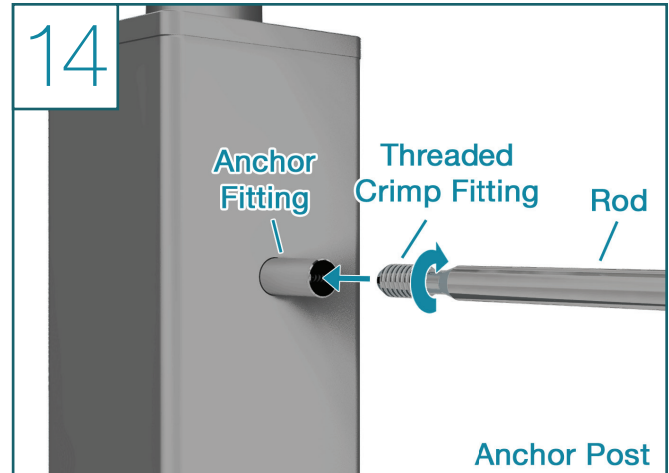
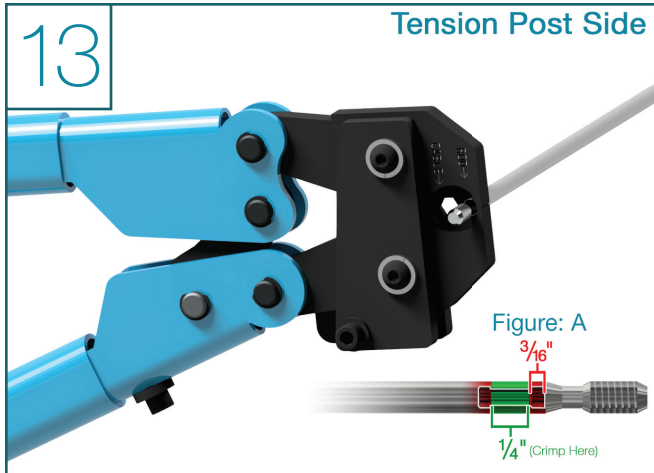


- While you are able to cut the rods while they are through the posts, it may be best practice to remove the rods from the run, at this point
- Cut the rods to the modified measurement from the previous step

- Use the deburring tool to remove any rough edges
- To deburr, insert the tool into the rod and turn the tool in a circle so the blade cuts and removes the burrs

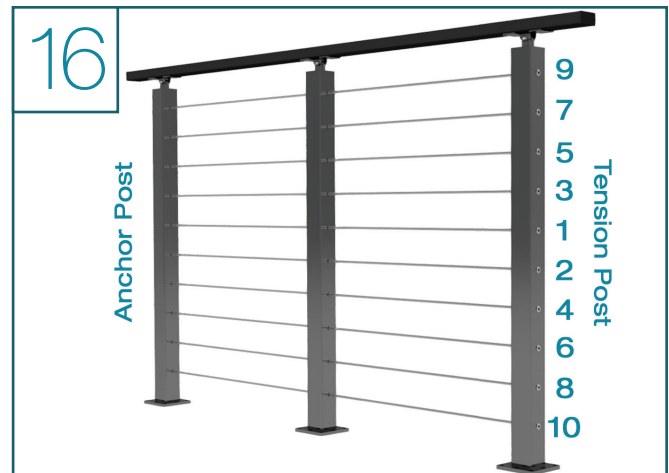
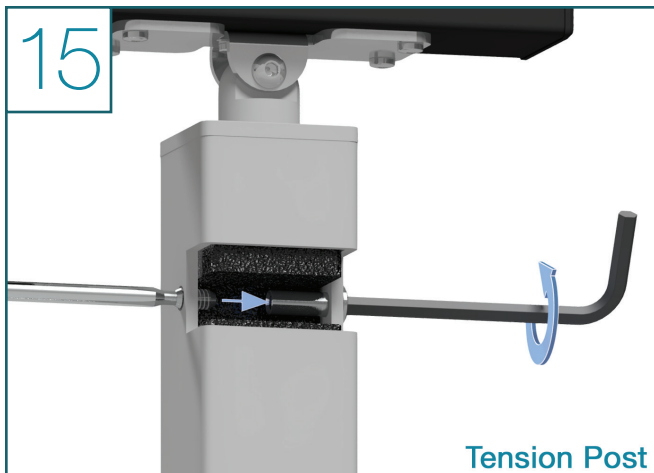


Rod: Level Anchor to Level Tension Installation Steps (Continued)



- Insert the Threaded Crimp Fitting into the remaining open end of the rod
- Crimp the fitting near the Crimp Fitting Flange
- Rotate the rod and Crimp Fitting 90° and crimp again
- Repeat these steps to the other side of the run
- Make sure to crimp the rod in the depression of the crimp fitting, and not on the raised collars - See Figure A above

- If you have removed the rods from the run of posts, re-run the rod through the posts
- Fully fasten the threaded fitting into the Level Anchor
- Make sure to hold the Anchor fitting during this process to keep from losing it inside the posts
- The other end of the rod should sit inside the tension post



- Insert Tension Receivers into the  $\frac{5}{16}$ " holes on the outside of the end tension posts
- Using the supplied Allen wrench, tighten the Tension Receiver snug enough to keep it in place

- After all rods are ready, tension in sequence
- Draw the rod taut until you feel resistance, then turn the Tension Receiver another half turn

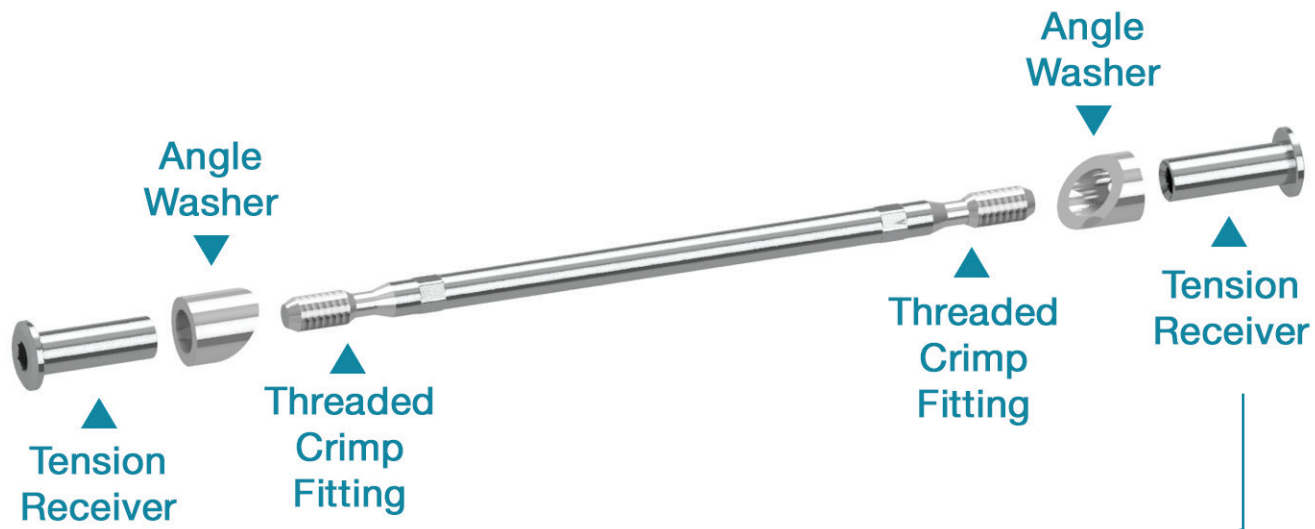
***\*Before tensioning any rod infill, please ensure all posts and handrail are fully installed***

**Congratulations! You're done with this section.**

We'd love to see your work! Snap a few pics with your phone and send them to [pictures@viewrail.com](mailto:pictures@viewrail.com). Thanks for choosing Viewrail. Enjoy your new installation!

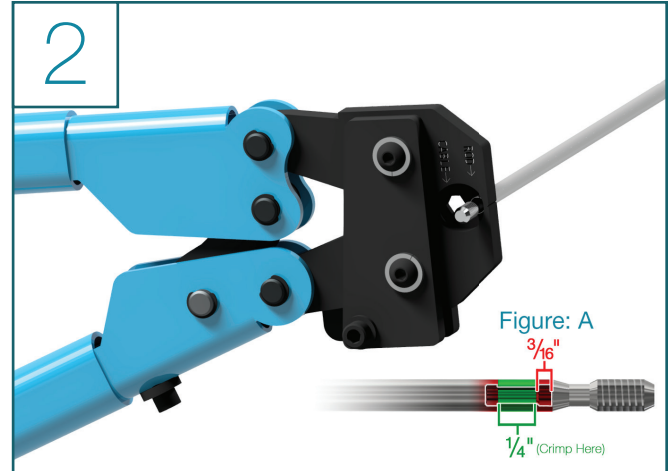
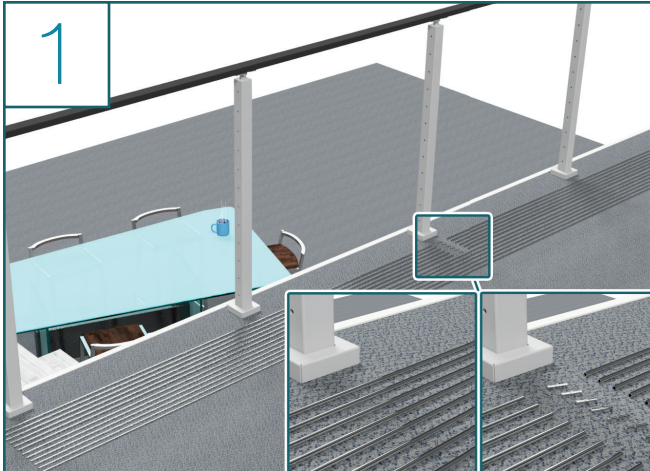
# Rod Railing Installation Guide

## Angle Tension End to Angle Tension End



Angle Tension Receiver  
<https://www.youtube.com/watch?v=5mZkXDGSB2s>

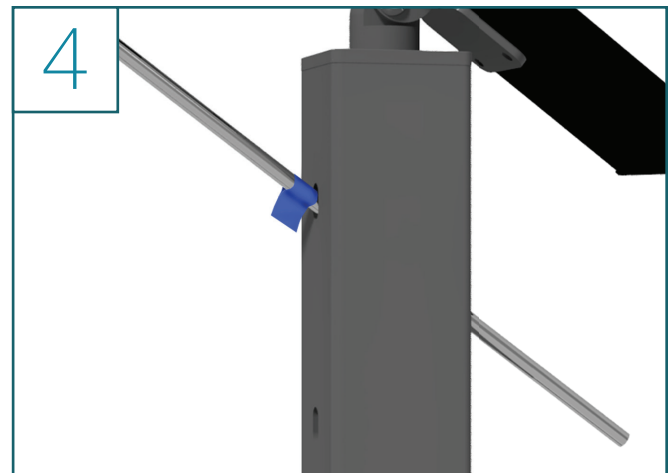
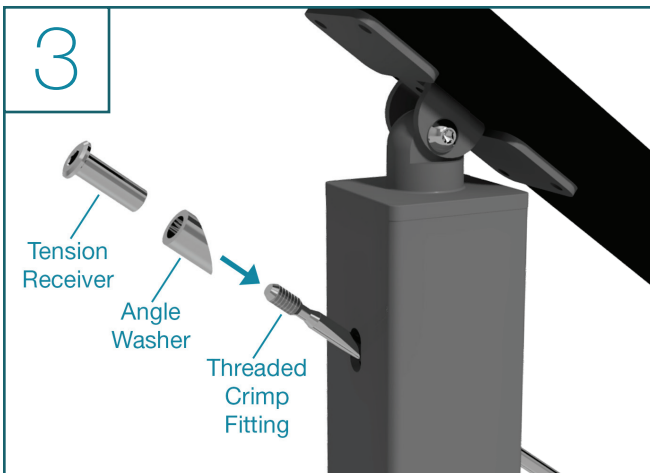
## Rod: Angle Tension to Angle Tension Installation Steps



- Before beginning, lay out the rods for your run and make sure they are accounted for
- When installing an angle to angle tension end, it is typically easier to start at the top post
- Coupled rod seams are designed to be hidden inside intermediate posts

- Insert the Threaded Crimp Fitting into one end of the rod
- Crimp the fitting near the Crimp Fitting Flange
- Rotate the rod and Crimp Fitting 90° and crimp again
- Repeat these steps to the other side of the run
- Make sure to crimp the rod in the depression of the crimp fitting, and not on the raised collars - See Figure A above

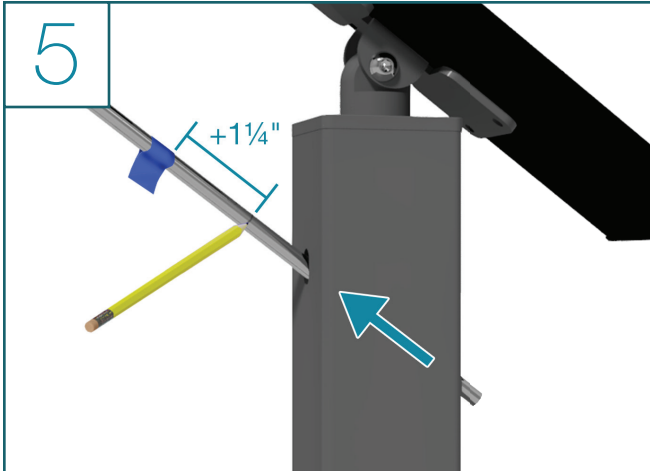
*Note: For Rod Coupling Instructions please see page 22*



- Slide the rod through the posts and foam inserts on the run
- Place an angle washer over the top of the rod and seat it against the post
- If you have multiple stair railing, make sure you are using the correct degree of angled washer for this specific stair system
- Thread the Tension Receiver on the Threaded Crimp fitting four full turns

- Move to the bottom post of the run, which the rod should be extending through
- Pull the rod tight, so the upper Angle Tension End is fully seated against the top post
- Place painters tape on the rod where the rod touches the inside face of the bottom post

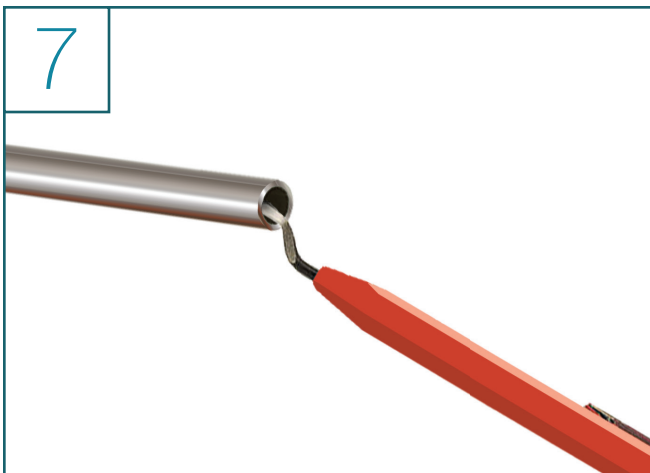
Rod: Angle Tension to Angle Tension Installation Steps (Continued)



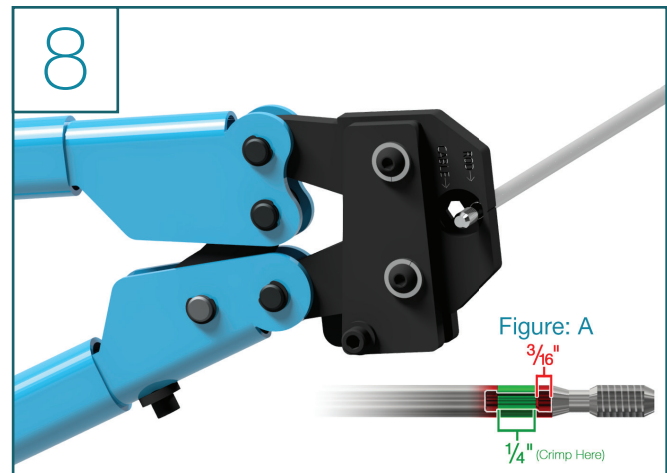
- Slide the rod back a bit
- Mark 1 1/4" beyond the tape with a pencil or marker
- This will be your rod cut length



- While you are able to cut the rods while they are through the posts, it may be best practice to remove the rods from the run, at this point
- If you have removed the rod, make sure to keep track of the angle washer from the top kit
- Use the angle grinder to cut the rods from the mark made in the previous step

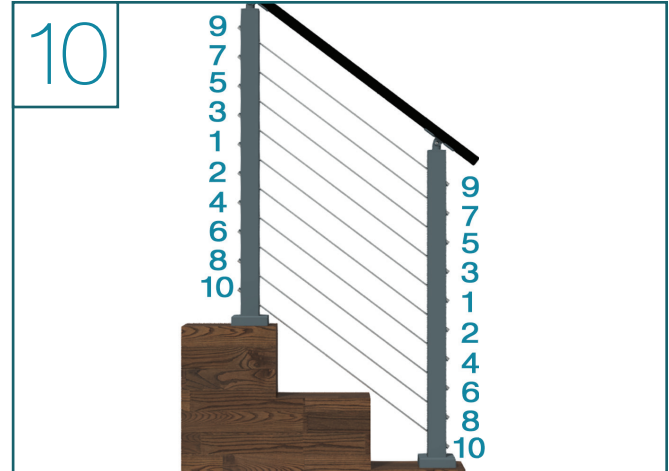
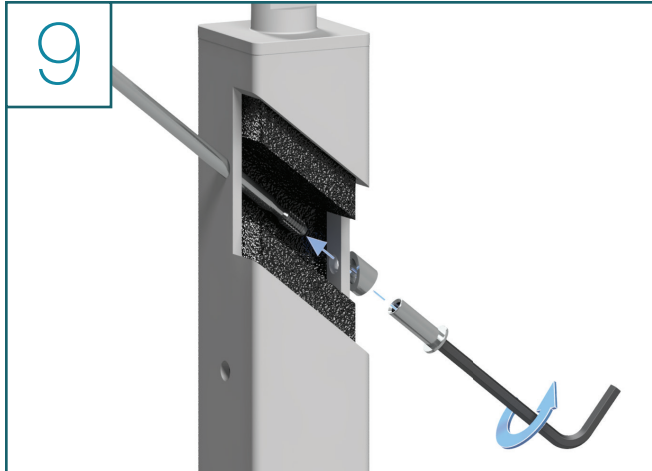


- Use the deburring tool to remove any rough edges
- To deburr, insert the tool into the rod and turn the tool in a circle so the blade cuts and removes the burs



- Insert the Threaded Crimp Fitting into the remaining open end of the rod
- Crimp the fitting near the Crimp Fitting Flange
- Rotate the rod and Crimp Fitting 90° and crimp again
- Repeat these steps to the other side of the run
- Make sure to crimp the rod in the depression of the crimp fitting, and not on the raised collars - See Figure A above

## Rod: Angle Tension to Angle Tension Installation Steps (Continued)



- If you have removed the rod, slide the rod back through the run of posts
- Make sure the Angle Tension End at the top of the run is fully seated against the post
- Add a matching angle Tension End on the lower side of the run
- Place the Angle Washer on the Tension Receiver
- Use the supplied Allen wrench to move the Tension Receiver into the post and fasten to the Threaded Crimp Fitting
- Tighten the Tension Receiver four full turns

- After all rods are ready, tension in sequence
- Draw the rod taut until you feel resistance, then turn the Tension Receiver another half turn

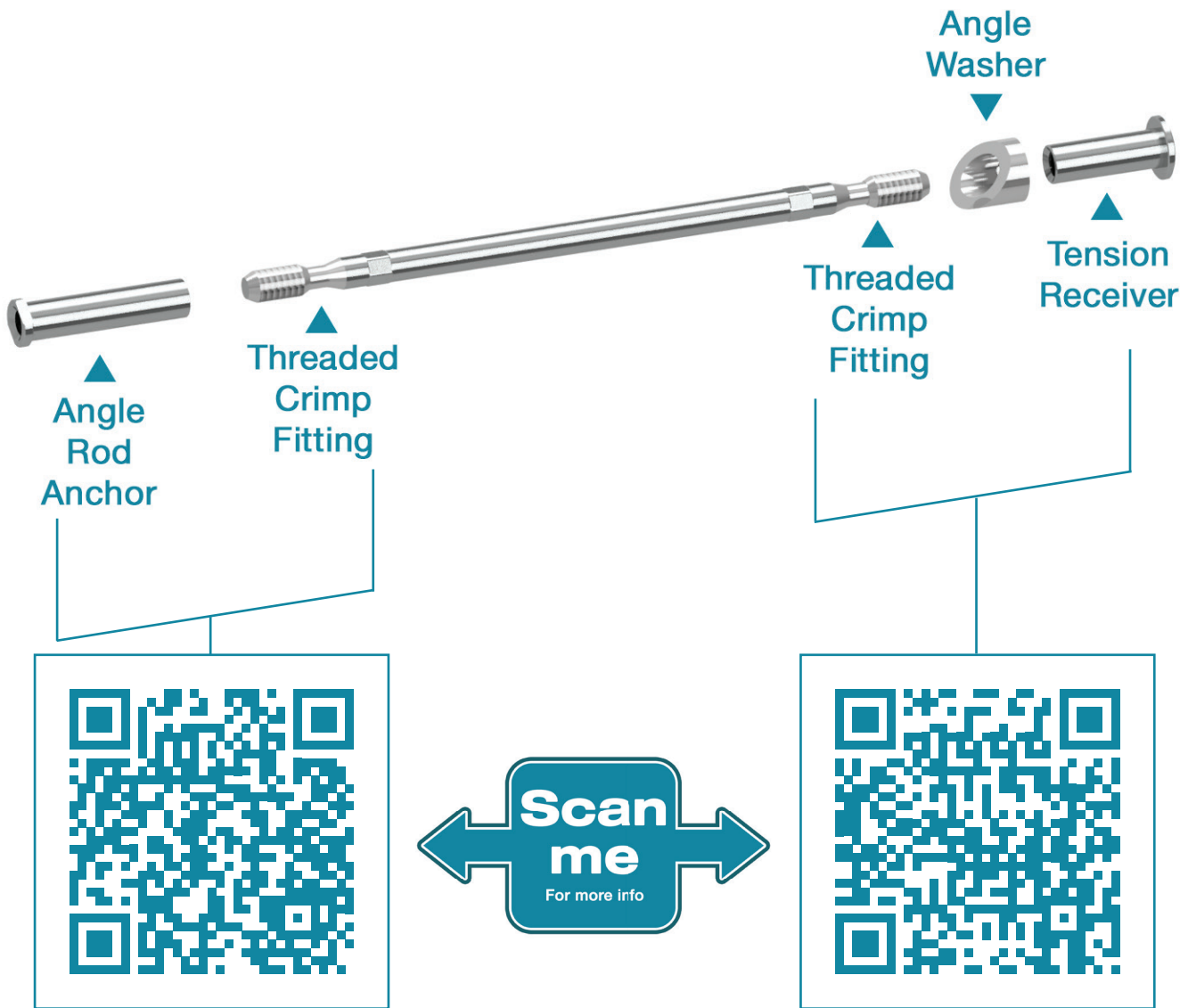
***\*Before tensioning any rod infill, please ensure all posts and handrail are fully installed***

## Congratulations! You're done with this section.

We'd love to see your work! Snap a few pics with your phone and send them to [pictures@viewrail.com](mailto:pictures@viewrail.com). Thanks for choosing Viewrail. Enjoy your new installation!

# Rod Railing Installation Guide

## Angle Anchor Kit to Angle Tension End



### Angle Rod Anchor

<https://www.youtube.com/watch?v=vSfPzv8FzIU>

### Angle Tension Receiver

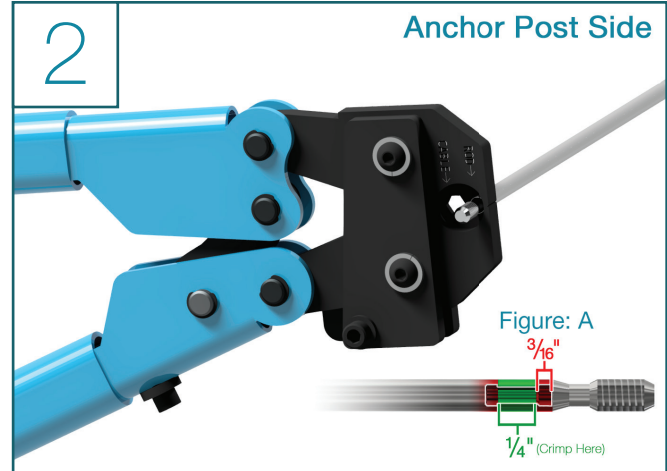
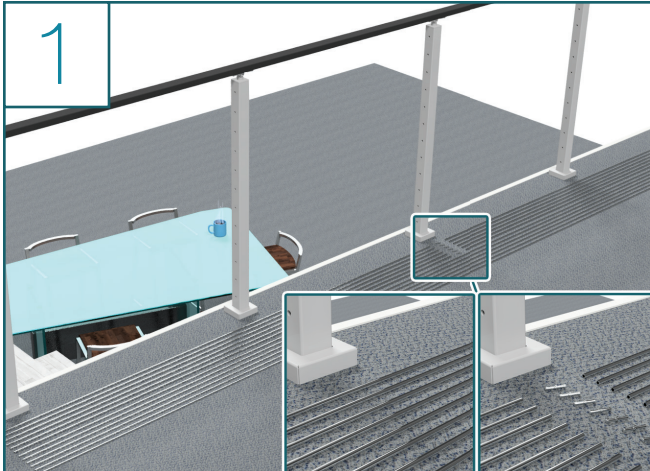
<https://www.youtube.com/watch?v=5mZkXDGSB2s>

#### Things to Know Before You Get Started

- Always start with the Angle Anchor Side of the run first.



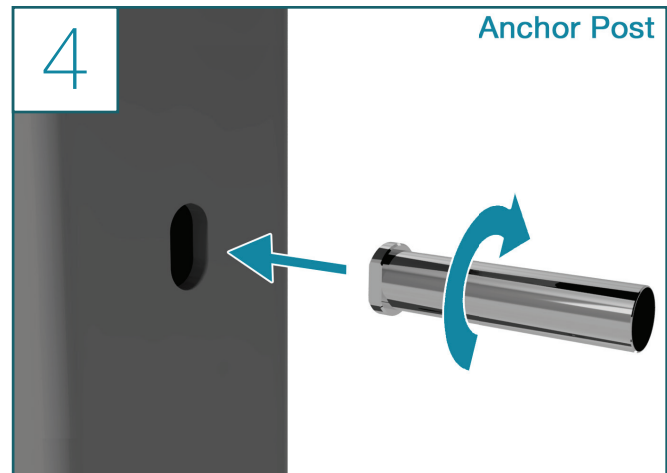
### Rod: Angle Anchor to Angle Tension Installation Steps



- Before beginning, lay out the rods for your run and make sure they are accounted for
- When installing angle to angle anchor & Tension Ends, it is typically easier to start at the top post
- Coupled rod seams are designed to be hidden inside intermediate posts

- Insert the Threaded Crimp Fitting into one end of the rod
- Crimp the fitting near the Crimp Fitting Flange
- Rotate the rod and Crimp Fitting 90° and crimp again
- Repeat these steps to the other side of the run
- Make sure to crimp the rod in the depression of the crimp fitting, and not on the raised collars - See Figure A above

*Note: For Rod Coupling Instructions please see page 22*

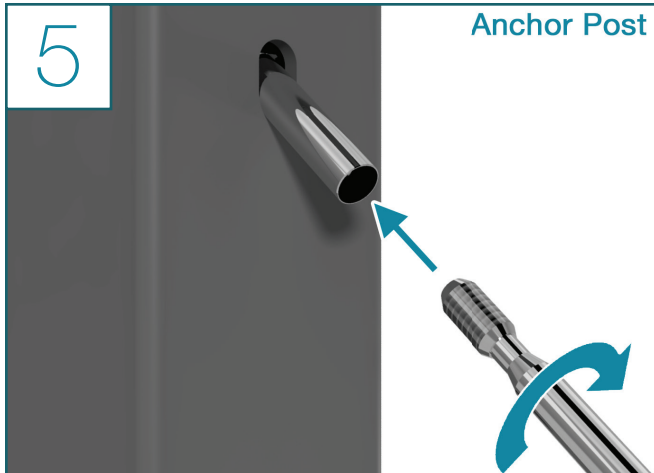


- Before moving on, the crimping process may have pushed up ridges in the metal
- Use a Dremel tool or the Angle Grinder to smooth these ridges out - This will help fully seat the rod in the Angle Rod Anchor

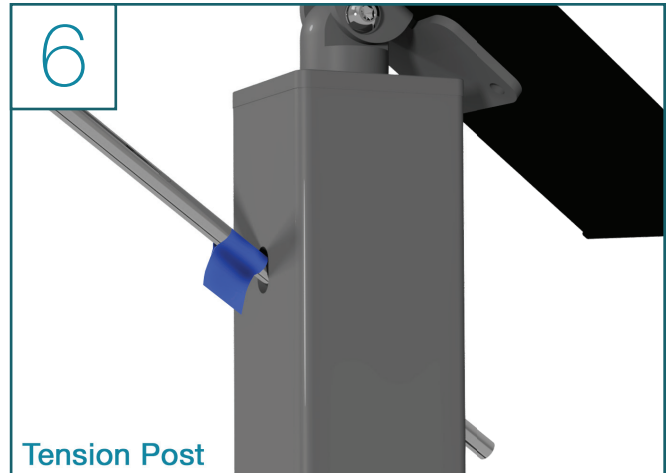
- Insert Angle Rod Anchor into the slotted hole
- Turn the Angle Rod Anchor 90° to secure it in place



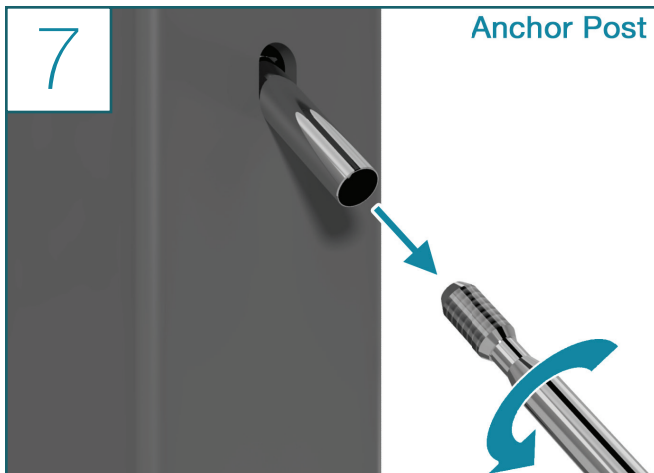
Rod: Angle Anchor to Angle Tension Installation Steps (Continued)



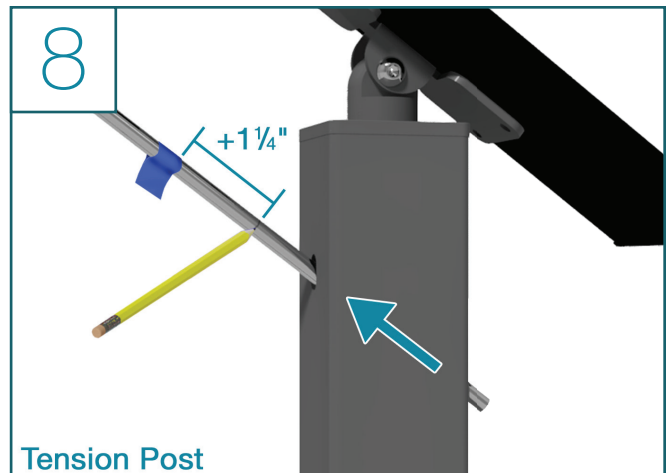
- Run the crimped end of the rod up through the full run of rod posts and foam inserts
- Thread the Crimp Fitting fully into the Angle Anchor, making sure that you hold the anchor in place as to not allow it to fall inside the post



- Move to the other end of the run to the tension post
- Pull the rod tight through the tension post
- Place painters tape where the rod contacts the inside face of the tension post

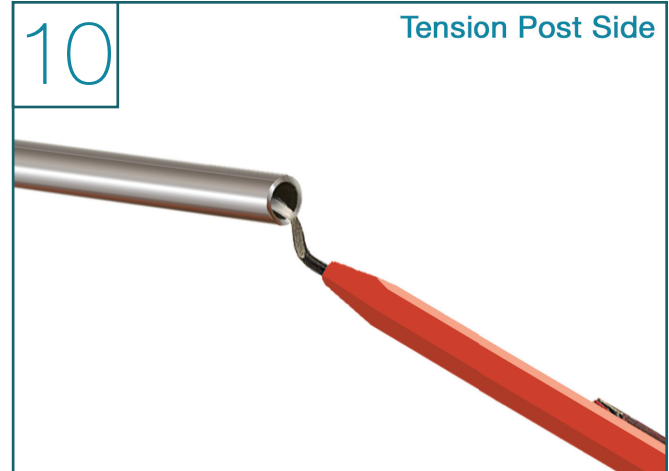


- Return to the Angle Anchor post and unscrew the rod from the anchor, making sure that you hold the anchor in place as to not allow it to fall inside the post



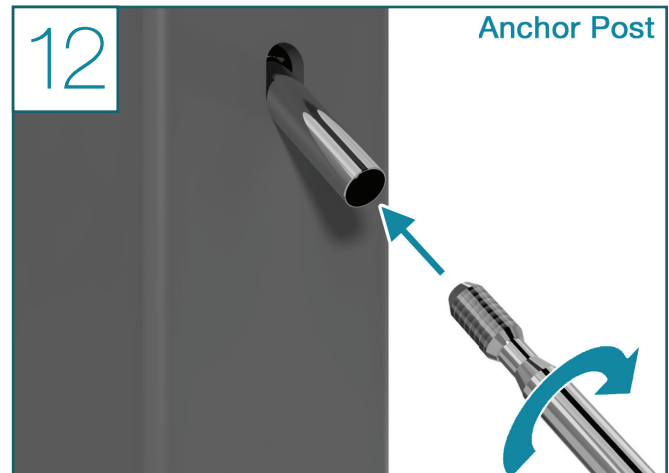
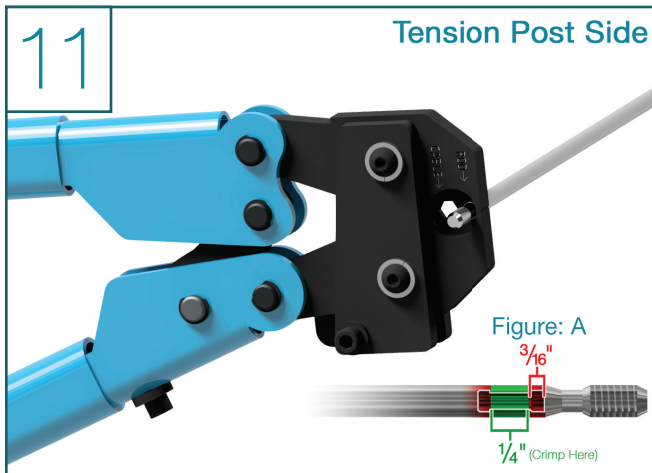
- Slide the rod back enough to mark an additional 1 1/4" beyond the tape
- This will be your rod cut length

Rod: Angle Anchor to Angle Tension Installation Steps (Continued)



- While you are able to cut the rods while they are through the posts, it may be best practice to remove the rods from the run, at this point
- Use the angle grinder to cut the rods from the mark made in the previous step

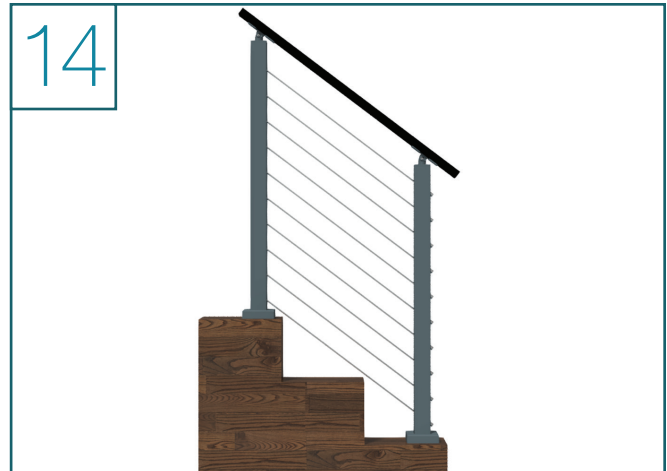
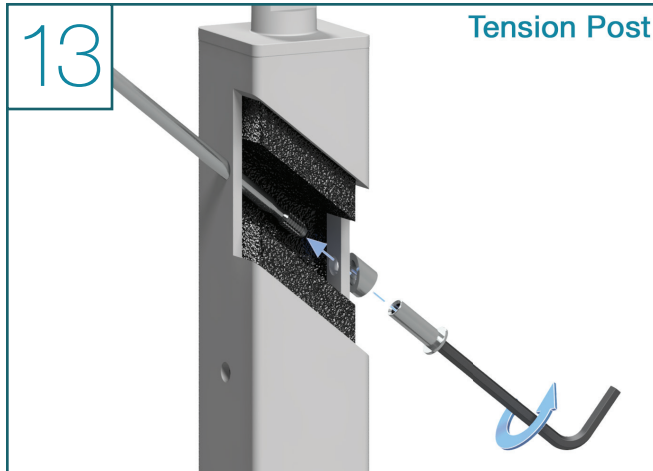
- Use the deburring tool to remove any rough edges
- To deburr, insert the tool into the rod and turn the tool in a circle so the blade cuts and removes the burs



- Insert the Threaded Crimp Fitting into the remaining open end of the rod
- Crimp the fitting near the Crimp Fitting Flange
- Rotate the rod and Crimp Fitting 90° and crimp again
- Repeat these steps to the other side of the run
- Make sure to crimp the rod in the depression of the crimp fitting, and not on the raised collars - See Figure A above

- If you have removed the rod, slide the rod back through the run of posts
- Fully thread the crimp fitting into the Angle Rod Anchor

## Rod: Angle Anchor to Angle Tension Installation Steps (Continued)



- Go to the opposite side of the run to the tension post
- Slide the Angle Washer onto the Tension Receiver
- If you have multiple stair railing, make sure you are using the correct degree of angled washer for this specific stair system
- Use the supplied Allen wrench to move the Tension Receiver into the post and fasten to the Threaded Crimp Fitting
- Tighten the Tension Receiver four full turns

- After all rods are ready, tension in sequence
- Draw the rod taut until you feel resistance, then turn the Tension Receiver another half turn

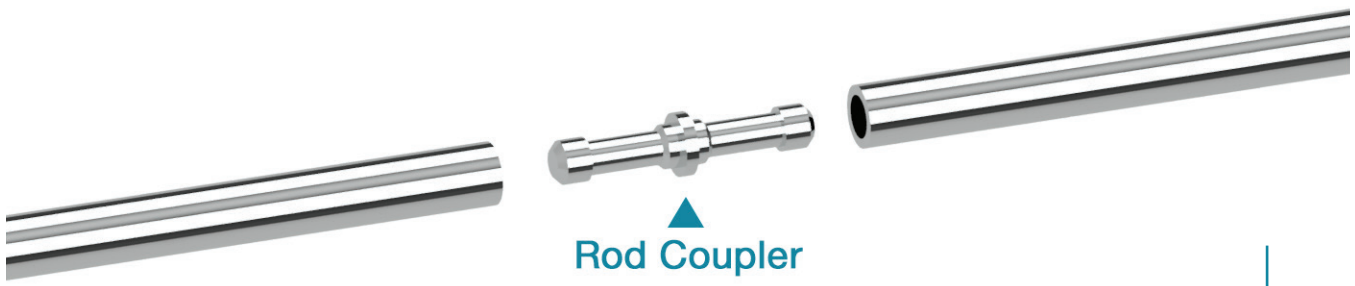
*\*Before tensioning any rod infill, please ensure all posts and handrail are fully installed*

## Congratulations! You're done with this section.

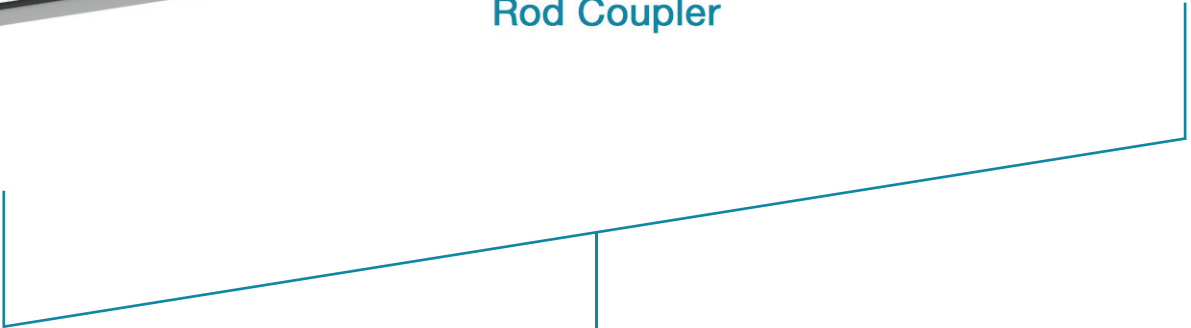
We'd love to see your work! Snap a few pics with your phone and send them to [pictures@viewrail.com](mailto:pictures@viewrail.com). Thanks for choosing Viewrail. Enjoy your new installation!

# Rod Railing Installation Guide

## Rod Coupling

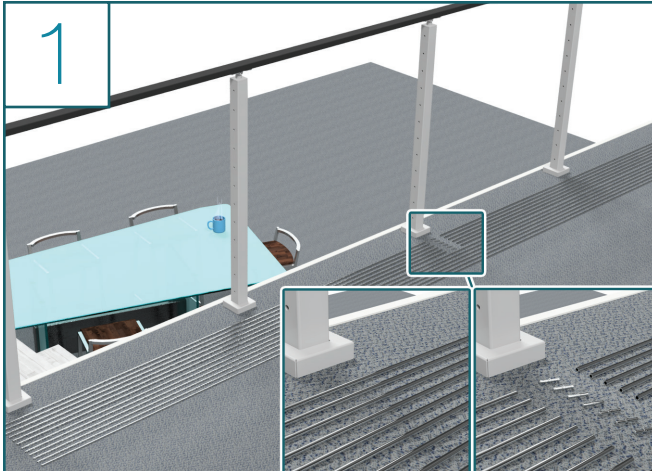


Rod Coupler



Rod Coupler

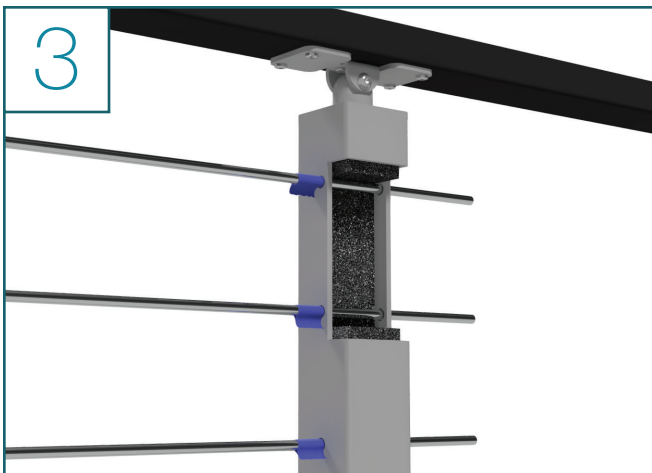
## Rod Railing Installation Steps



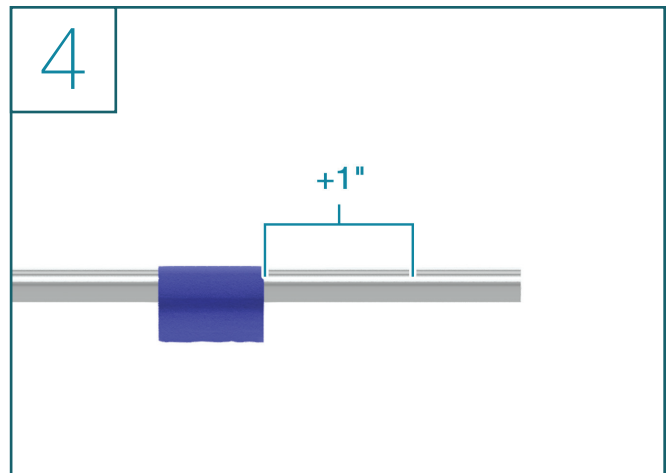
- If you have a project where a rod coupler is needed, the coupler is designed to be hidden inside a post
- Lay out the rods and hardware for the run you are working on
- It is recommended to have a maximum of 2 couplers on a single run
- Coupled rod seams are designed to be hidden inside intermediate posts



- The best method to install couplers is to start by attaching one side of your rod run to the end post
- If you have an Angle or Level Anchor kit, always begin with that end of the run
- Fasten that side of the rod fully



- The rod that will be coupled should stick out past the post the coupler will sit inside
- Attach painters tape on the rod where the rod meets the inside face of this post



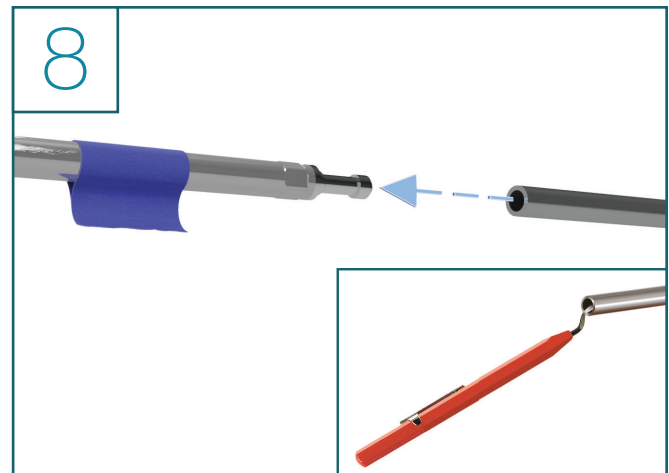
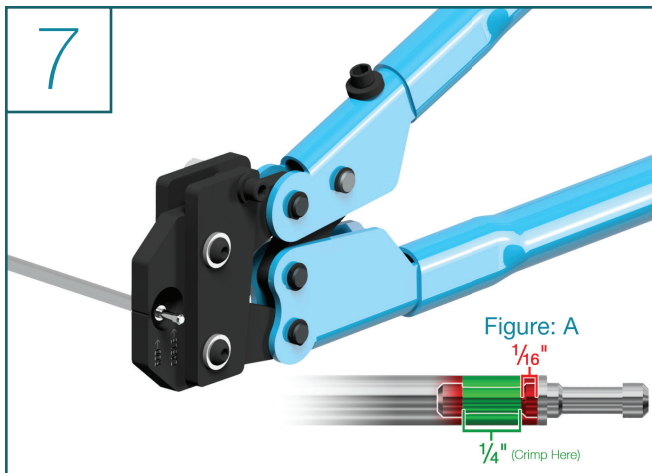
- Unfasten the rod from the end post hardware, and back out the rod
- Mark 1" past the painters tape and use an angle grinder to cut on that mark

### Rod Railing Installation Steps (Continued)



- While you are able to cut the rods while they are through the posts, it may be best practice to remove the rods from the run, at this point
- If you have removed the rod, make sure to keep track of the angle washer from the top kit
- Use the angle grinder to cut the rods from the mark made in the previous step

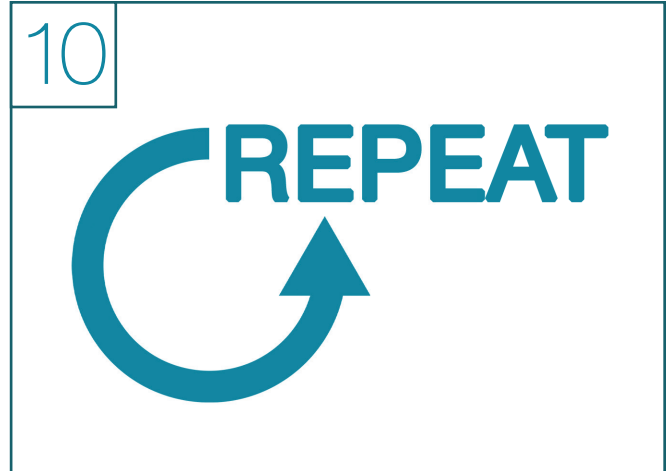
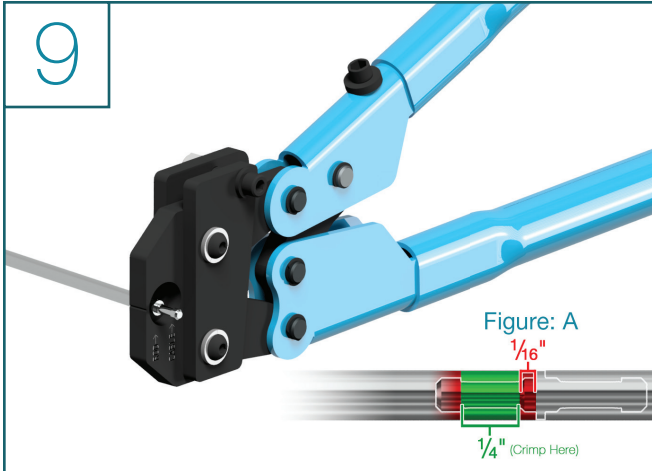
- Use the deburring tool to remove any rough edges
- To deburr, insert the tool into the rod and turn the tool in a circle so the blade cuts and removes the burs



- Take a rod coupler and insert one end into the rod
- Use the multi-tool to crimp the rod onto the rod coupler and crimp twice
- Make sure to crimp the rod over the coupler's neck, and not over the ridges
- See Figure A above

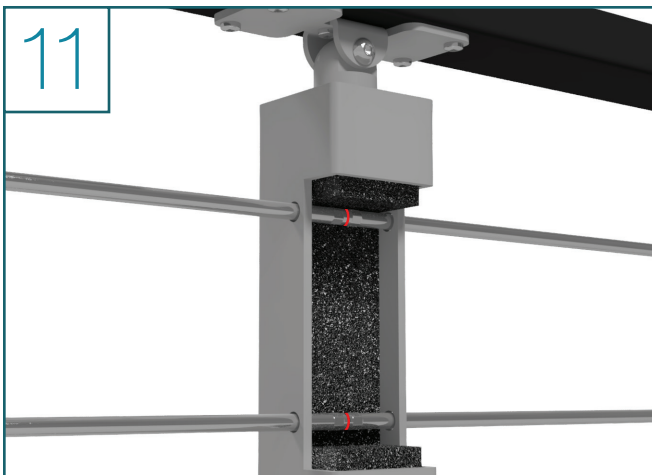
- Select the second rod that you will couple to the first rod
- Deburr the rod end if needed, and insert the remaining coupler end into the second rod
- Remove the painter's tape

### Rod Railing Installation Steps (Continued)



- Use the multi-tool to crimp the rod onto the rod coupler and crimp twice
- Make sure to crimp the rod over the coupler's neck, and not over the ridges
- See Figure A above

- Repeat steps 3-7 if you have a second coupler



- When your complete rod length is coupled, run the rods back through the posts - The coupler seam should be seated inside an intermediate post
- Fasten the rod using the relevant rod hardware for your run following the previous steps listed

Congratulations!  
You're done with this section.

We'd love to see your work! Snap a few pics with your phone and send them to [pictures@viewrail.com](mailto:pictures@viewrail.com).  
Thanks for choosing Viewrail. Enjoy your new installation!



# Rod Post Hardware Identification & Quantities Chart

Look for this sticker on hardware bags

INFILL

A Post		Threaded Crimps	Tension Receivers		
36"		Qty 10	Qty 10		-
39"		Qty 11	Qty 11		-
42"		Qty 12	Qty 12		-
A-5 Post		No Hardware Needed			
All Post Heights		-	-		-
B Down Post		Threaded Crimps	Tension Receivers	Angle Washers	
36"		Qty 10	Qty 10	Qty 10	
39"		Qty 11	Qty 11	Qty 11	
42"		Qty 12	Qty 12	Qty 12	
B Up Post		Threaded Crimps	Tension Receivers	Angle Washers	
36"		Qty 10	Qty 10	Qty 10	
39"		Qty 11	Qty 11	Qty 11	
42"		Qty 12	Qty 12	Qty 12	
A-5 Post		No Hardware Needed			
All Post Heights		-	-		-
C Post		Threaded Crimps	Tension Receivers	Level Rod Anchors	
36"		Qty 20	Qty 10	Qty 10	
39"		Qty 22	Qty 11	Qty 11	
42"		Qty 24	Qty 12	Qty 12	
D Post		Threaded Crimps	Tension Receivers	Angle Washers	Post-Side Handrail Bracket
36"		Qty 20	Qty 20	Qty 10	Qty 1
39"		Qty 22	Qty 22	Qty 11	Qty 1
42"		Qty 24	Qty 24	Qty 12	Qty 1
G Post		Threaded Crimps	Level Rod Anchors	Angle Rod Anchors	Post-Side Handrail Bracket
36"		Qty 20	Qty 10	Qty 10	Qty 1
39"		Qty 22	Qty 11	Qty 11	Qty 1
42"		Qty 24	Qty 12	Qty 12	Qty 1
H Post		Threaded Crimps	Level Rod Anchors	Angle Rod Anchors	Post-Side Handrail Bracket
39"		Qty 21	Qty 11	Qty 10	Qty 1
42"		Qty 22	Qty 12	Qty 10	Qty 1
I Post		Threaded Crimps	Tension Receivers	Angle Washers	Post-Side Handrail Bracket
39"		Qty 21	Qty 21	Qty 10	Qty 1
42"		Qty 22	Qty 22	Qty 10	Qty 1
J Down Post		Threaded Crimps	Angle Rod Anchors		
36"		Qty 10	Qty 10		
39"		Qty 11	Qty 11		
42"		Qty 12	Qty 12		
J Up Post		Threaded Crimps	Angle Rod Anchors		
36"		Qty 10	Qty 10		
39"		Qty 11	Qty 11		
42"		Qty 12	Qty 12		
R Post		Threaded Crimps	Level Rod Anchors		
36"		Qty 10	Qty 10		
39"		Qty 11	Qty 11		
42"		Qty 12	Qty 12		
S Post		Threaded Crimps			
All Post Heights		-	-		

