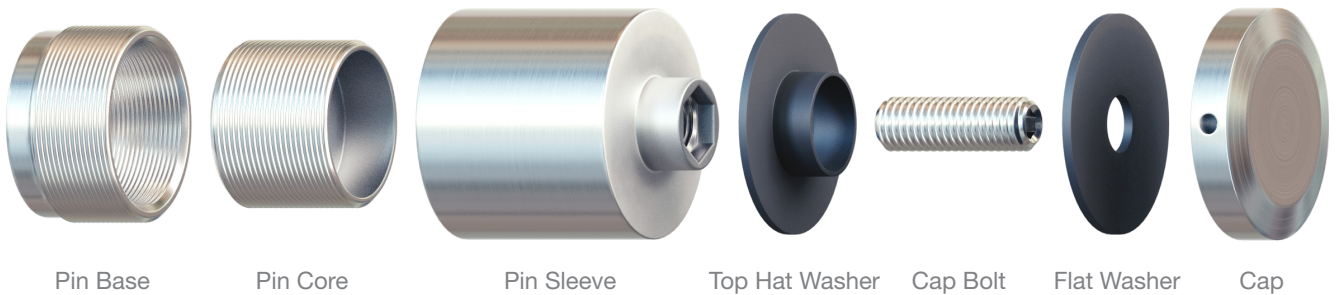




Glass Standoff Pins Installation Guide



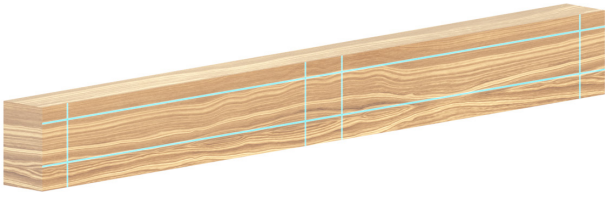
Before You Begin

Inspect area where the Standoff Pins are being installed.
Ensure that your mounting surface has sufficient backing.
For most jobs, a minimum of 4" of backing material is recommended
in order to securely mount your Standoff Pins.

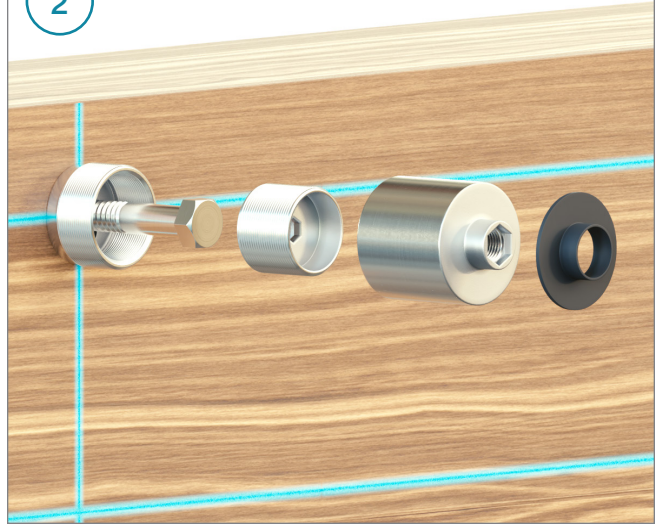
Items You'll Need

Glass Suction Cups
Glass Cleaner
Towel
Screw Wax
Allen Wrench

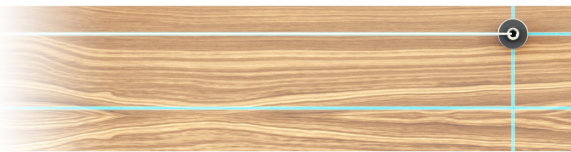
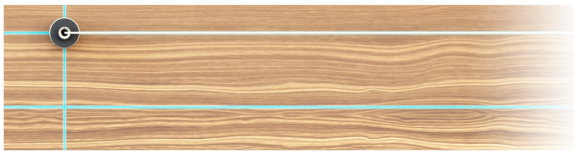
- 1 Snap chalk lines to mark pin placement based on your drawings



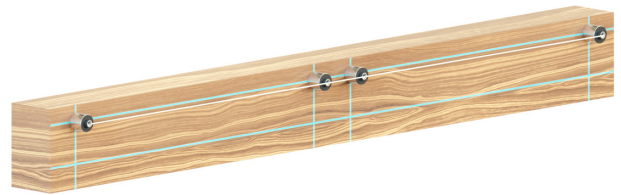
2



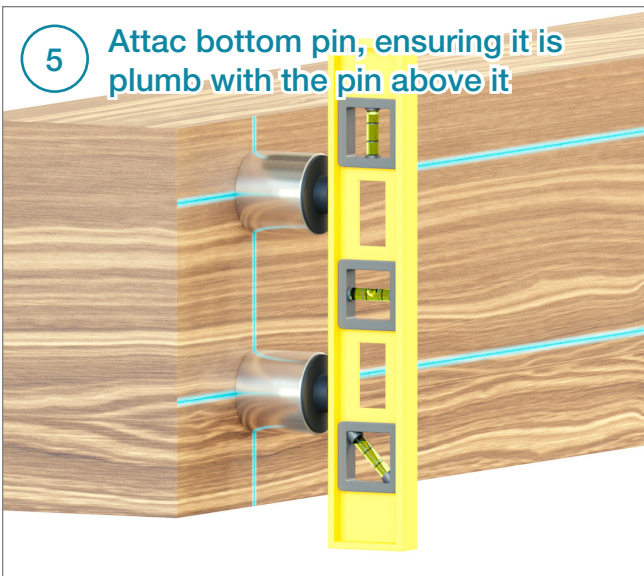
- 3 Use string to ensure pins are mounted level



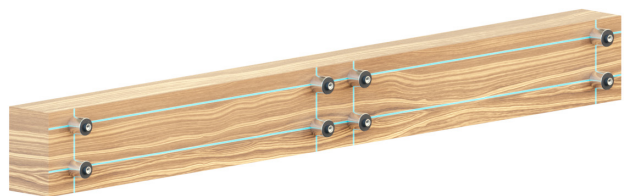
- 4 Attach top row of pins according to your drawings

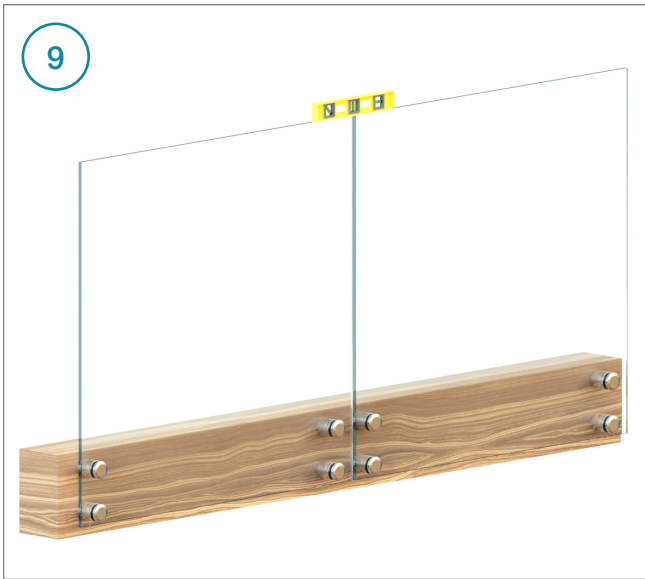
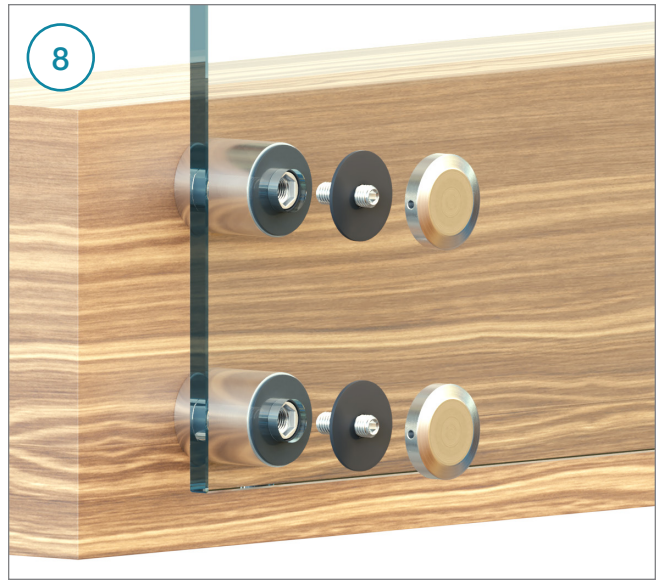
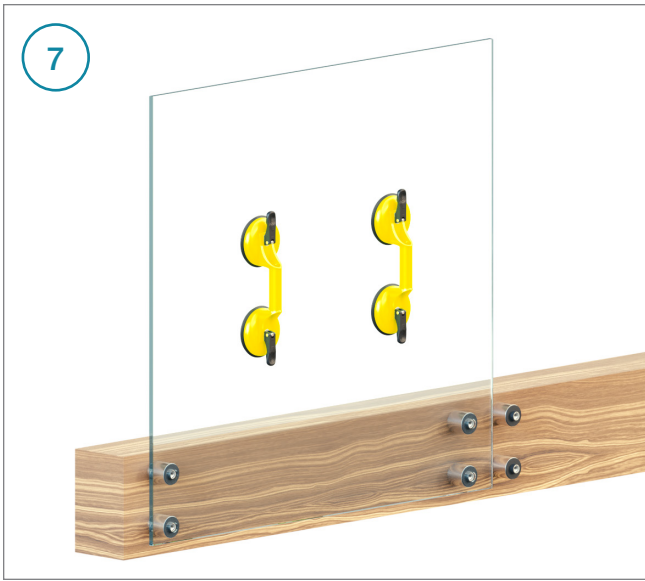



- 5 Attach bottom pin, ensuring it is plumb with the pin above it



- 6 Attach remaining bottom row of pins according to your drawings







Congratulations! Your Install is Done

We'd love to see your work! Snap a few pics with your phone and send them to pictures@Viewrail.com. Thanks for choosing Viewrail. Enjoy your new installation!