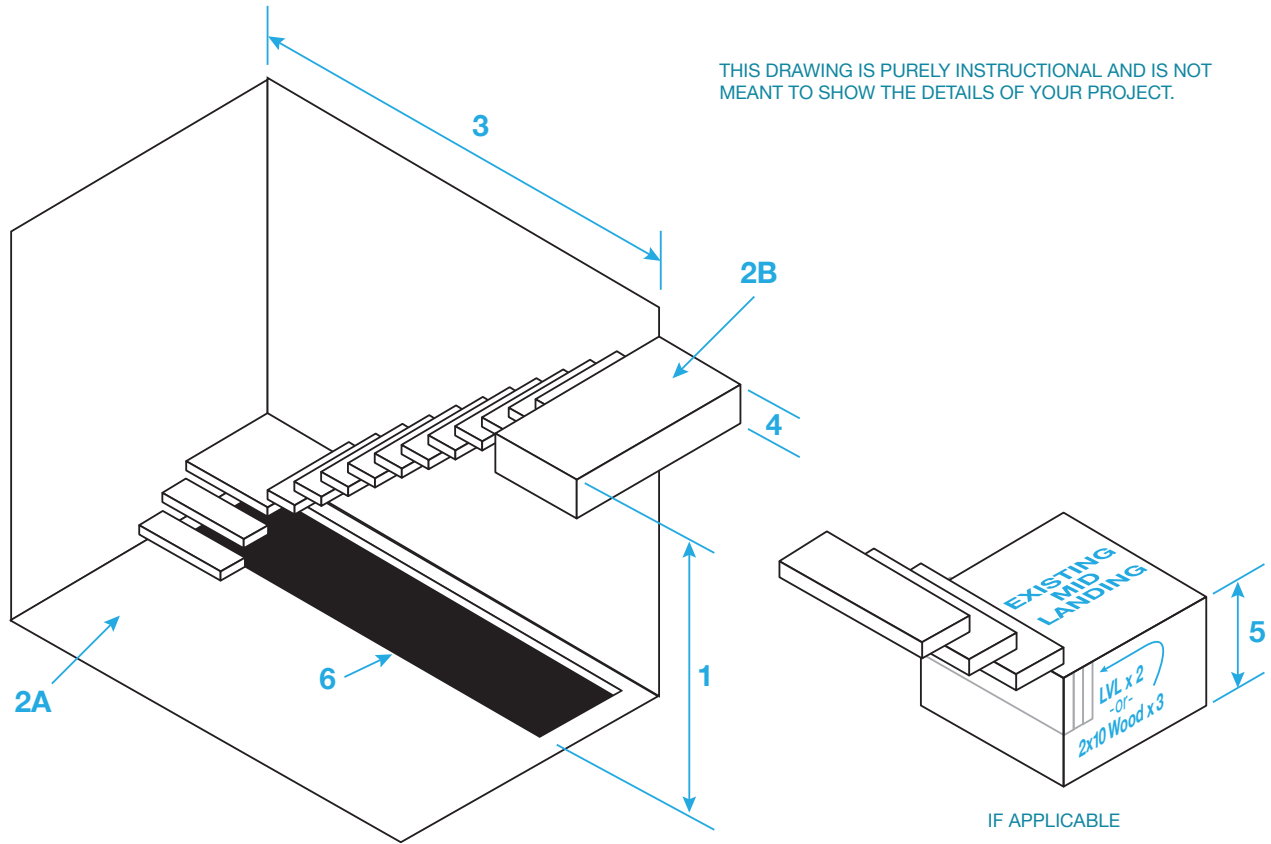


90° Turn Floor-to-Wall



REQUIRED INFO

1. Subfloor to Subfloor _____
2. Finished Floor Thickness
 - A. Downstairs _____
 - B. Upstairs _____
3. Header to Wall _____

IF APPLICABLE

4. Header Vertical Dimension less than 10"?
Yes or No (circle one)
5. Existing Mid Landing: Subfloor to Subfloor _____
6. Does opening exist under stairs?
Yes or No (circle one)