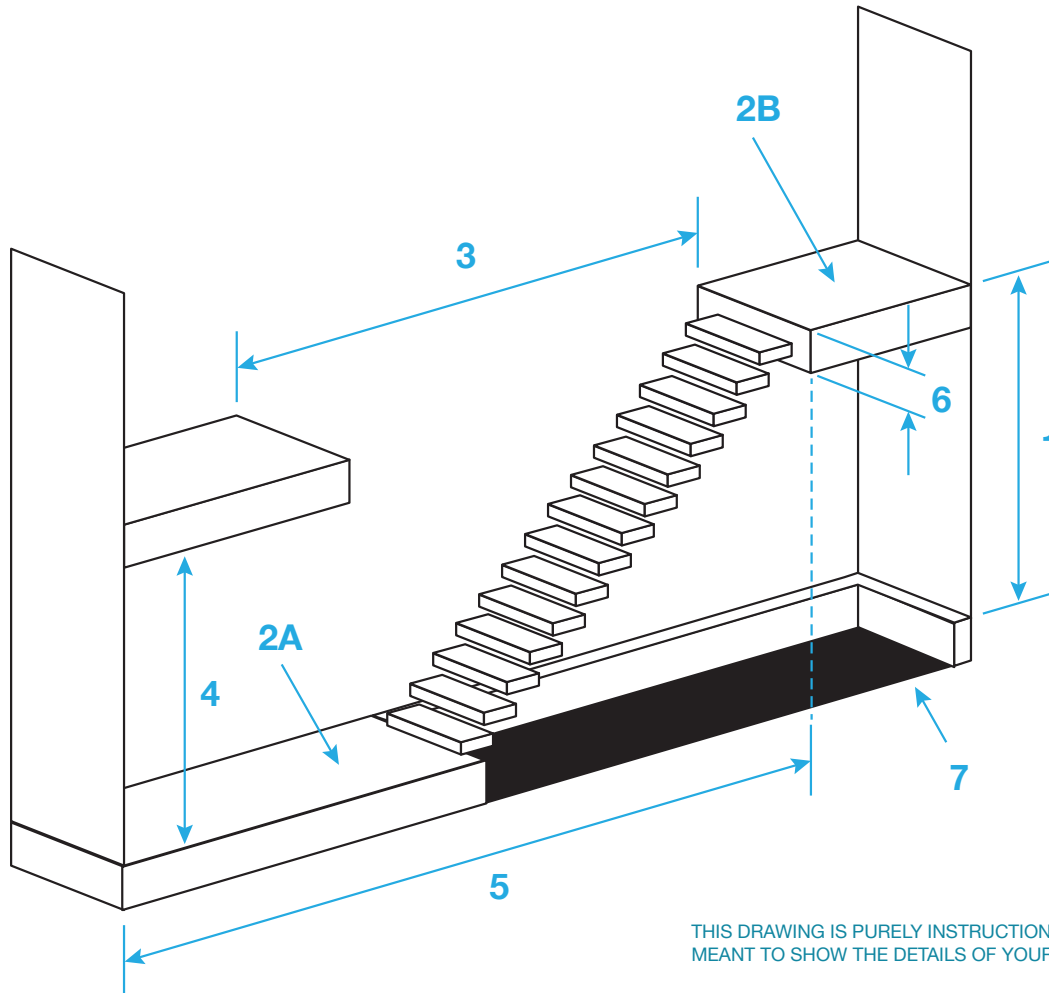


Straight Stringer Wall-to-Wall



THIS DRAWING IS PURELY INSTRUCTIONAL AND IS NOT MEANT TO SHOW THE DETAILS OF YOUR PROJECT.

REQUIRED INFO

- 1. Subfloor to Subfloor _____
- 2. Finished Floor Thickness
 - A. Downstairs _____
 - B. Upstairs _____
- 3. Ceiling Opening _____
- 4. Ceiling Height _____
- 5. Space Constraint _____

IF APPLICABLE

- 6. Header Vertical Dimension less than 10"?
Yes or No (circle one)
- 7. Does opening exist under stairs?
Yes or No (circle one)