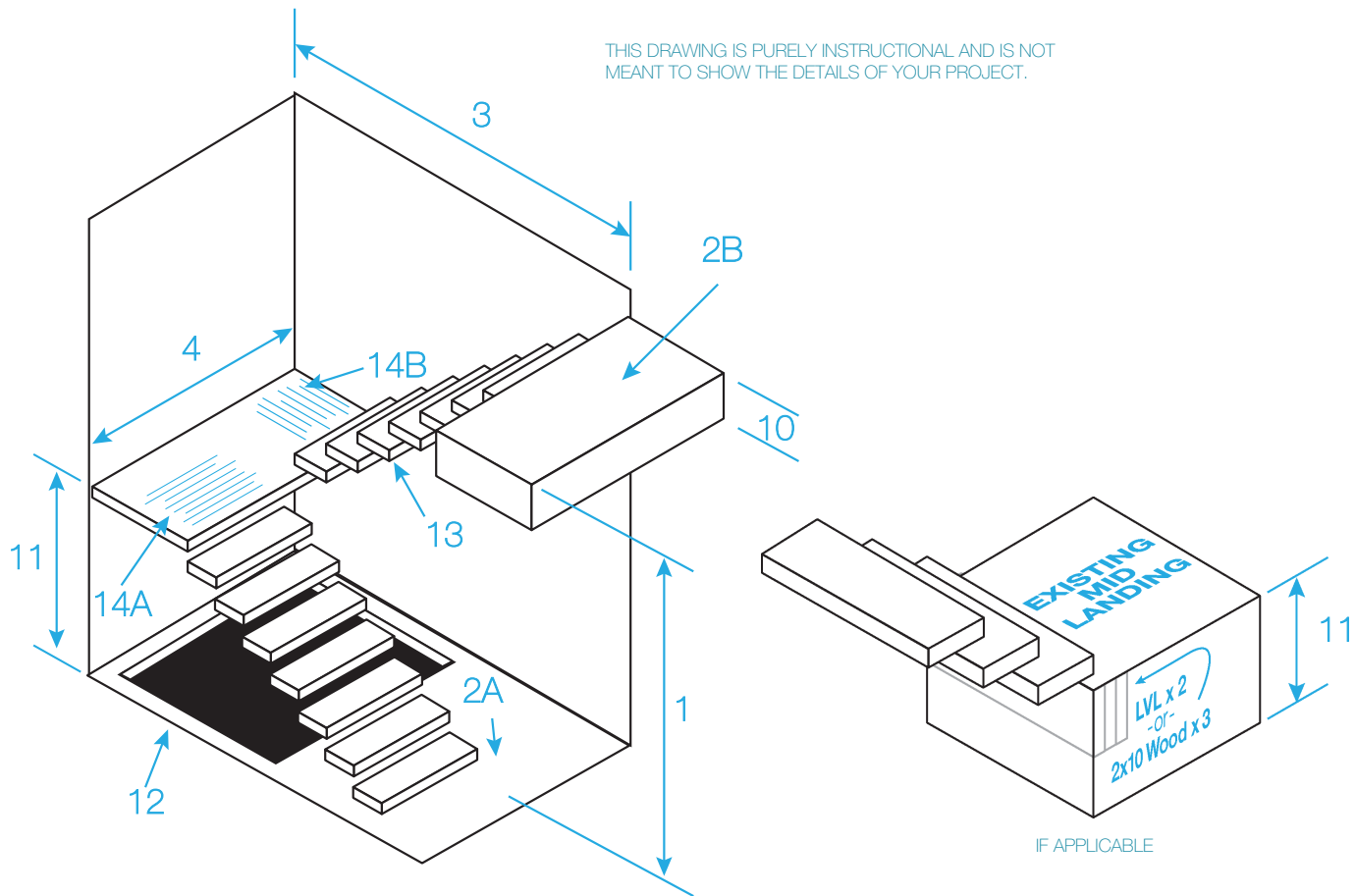


VIEWRAIL FLIGHT TECH FORM

Switchback Floor-to-Wall

THIS DRAWING IS PURELY INSTRUCTIONAL AND IS NOT MEANT TO SHOW THE DETAILS OF YOUR PROJECT.



Name or Location of Stair System (if Multiple Systems Exist) _____

REQUIRED INFO

1. Subfloor to Subfloor _____	6. Mounting to Subfloor Finished Floor
2. Finished Floor Thickness A. Downstairs _____ B. Upstairs _____	7. Top Tread Flush Yes No
3. Header to Wall _____	8. Sheetrock Thickness _____
4. Stairwell Width _____	9. Tread Width _____
5. Subfloor Material Wood Concrete	

IF APPLICABLE

10. Header Vertical Dimension less than 10"?	Yes No
11. Existing Mid-Landing: Subfloor to Subfloor _____	
12. Does opening exist under stairs?	Yes No
13. Do you want Tread Bracket Covers?	Yes No
14. Grain direction preference on Viewrail landings	A B



IF YOU HAVE MULTIPLE STAIR SYSTEMS, PLEASE FILL ONE OF THESE OUT FOR EACH.