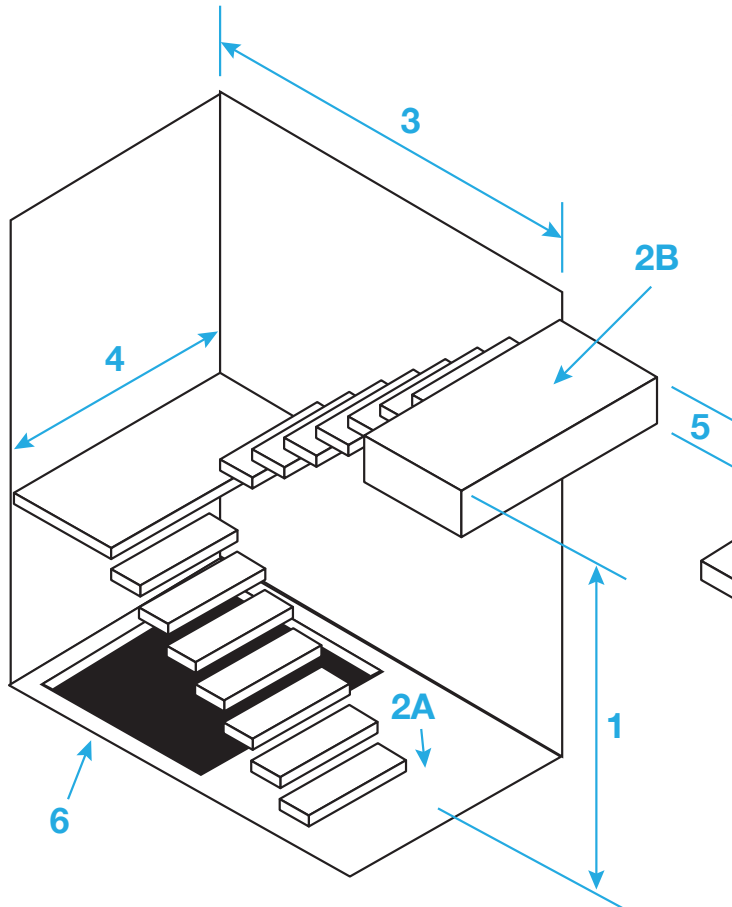
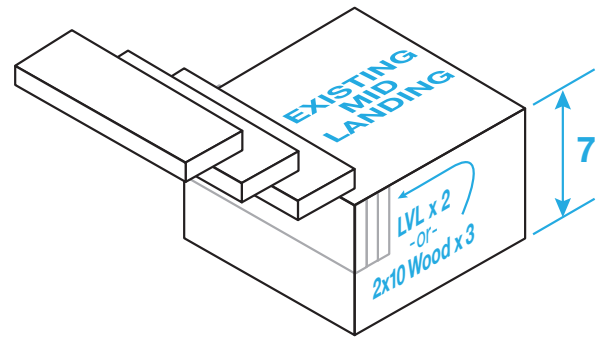


Switchback Floor-to-Wall



THIS DRAWING IS PURELY INSTRUCTIONAL AND IS NOT MEANT TO SHOW THE DETAILS OF YOUR PROJECT.



IF APPLICABLE

REQUIRED INFO

1. Subfloor to Subfloor _____
2. Finished Floor Thickness
 - A. Downstairs _____
 - B. Upstairs _____
3. Header to Wall _____
4. Stairwell Width _____

IF APPLICABLE

5. Header Vertical Dimension less than 10"?
Yes or No (circle one)
6. Does opening exist under stairs?
Yes or No (circle one)
7. Existing Mid Landing: Subfloor to Subfloor _____