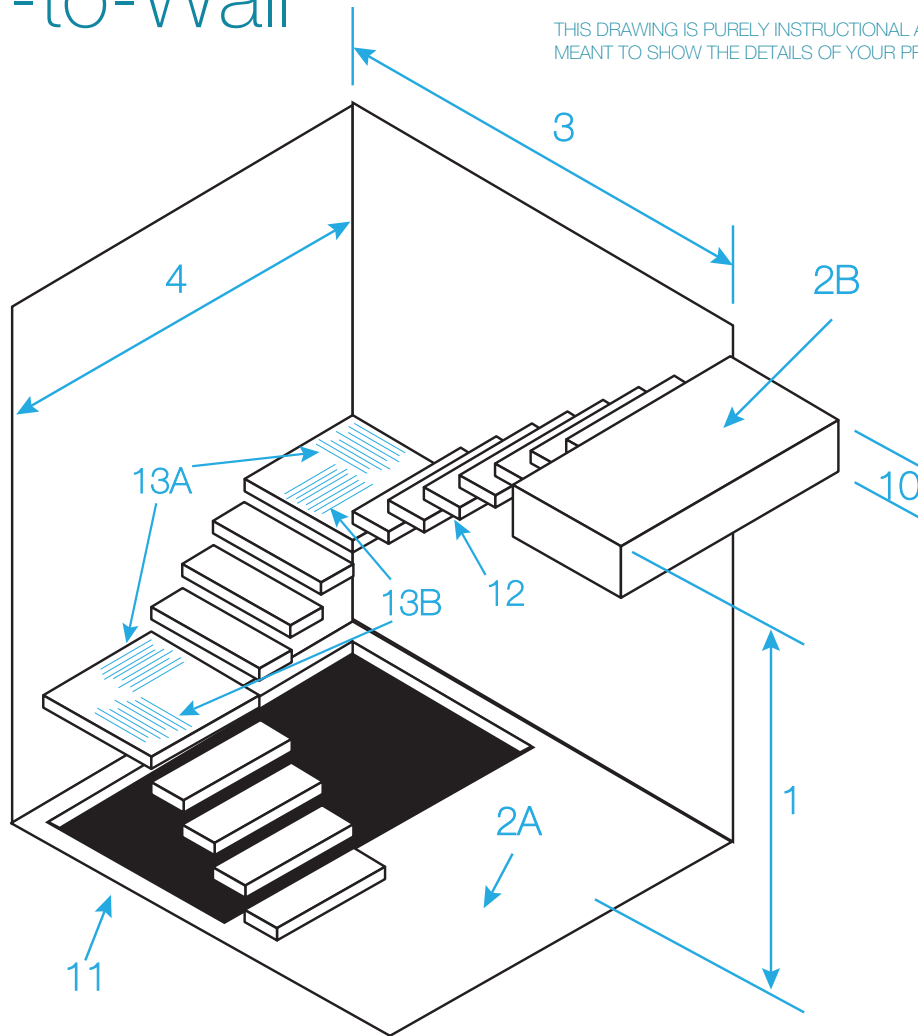


VIEWRAIL FLIGHT TECH FORM

## U Turn Floor-to-Wall

THIS DRAWING IS PURELY INSTRUCTIONAL AND IS NOT MEANT TO SHOW THE DETAILS OF YOUR PROJECT.



Name or Location of Stair System (If Multiple Systems Exist) \_\_\_\_\_

### REQUIRED INFO

- |   |  |
|---|--|
| 1. Subfloor to Subfloor _____   | 6. Mounting to<br>Subfloor      Finished Floor |
| 2. Finished Floor Thickness<br>A. Downstairs _____<br>B. Upstairs _____ | 7. Top Tread Flush<br>Yes      No              |
| 3. Header to Wall _____   | 8. Sheetrock Thickness _____                   |
| 4. Stairwell Width _____  | 9. Tread Width _____                           |
| 5. Subfloor Material<br>Wood      Concrete                              |  |

### IF APPLICABLE

- |  |     |    |
|--|-----|----|
| 10. Header Vertical Dimension less than 10"?         | Yes | No |
| 11. Existing Mid-Landing: Subfloor to Subfloor _____ |     |    |
| 12. Does opening exist under stairs?                 | Yes | No |
| 13. Do you want Tread Bracket Covers?                | Yes | No |
| 14. Grain direction preference on Viewrail landings  | A   | B  |



*IF YOU HAVE MULTIPLE STAIR SYSTEMS, PLEASE FILL ONE OF THESE OUT FOR EACH.*