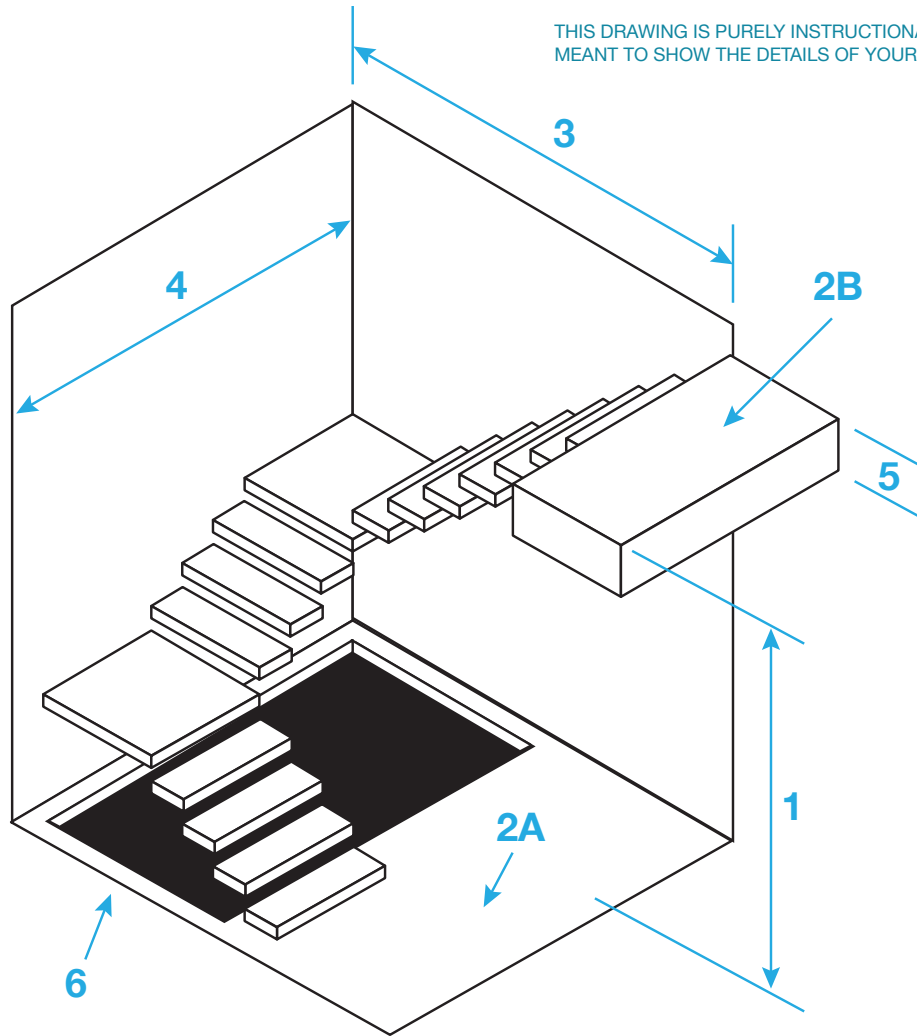


U Turn Floor-to-Wall



REQUIRED INFO

- 1. Subfloor to Subfloor _____
- 2. Finished Floor Thickness
 - A. Downstairs _____
 - B. Upstairs _____
- 3. Header to Wall _____
- 4. Stairwell Width _____

IF APPLICABLE

- 5. Header Vertical Dimension less than 10"?
Yes or No (circle one)
- 6. Does opening exist under stairs?
Yes or No (circle one)