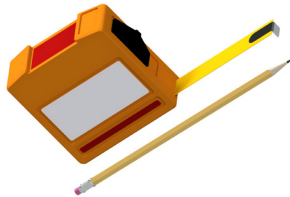


Tools Needed for this Installation



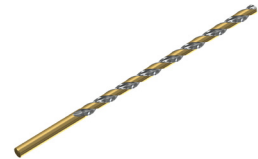
Chalk Line



Measuring Tape
& Pencil



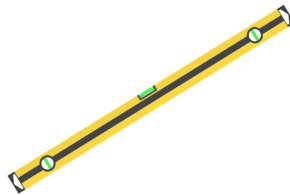
Drill



3-16" Drill Bit



T-30 Torx Bit



Level



Suction Cup Handles



Silicone

Things to Know Before You Get Started

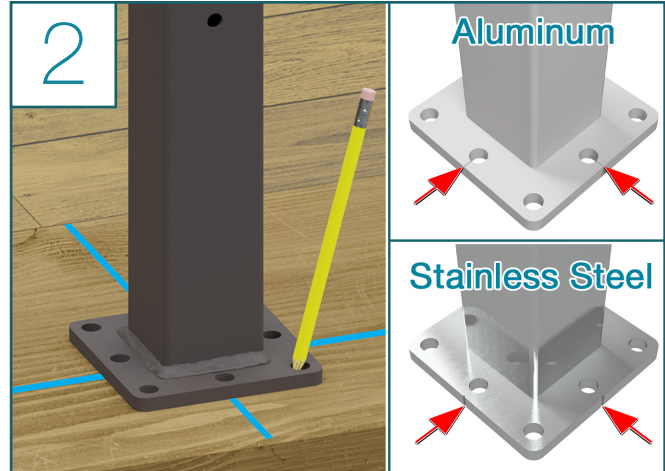
- Read over the provided material prior to the start of your installation
- This project requires a minimum of two people
- Viewrail Glass systems and fittings are designed to have a 1" gap between panels of glass



Ascend Talon Installation Steps

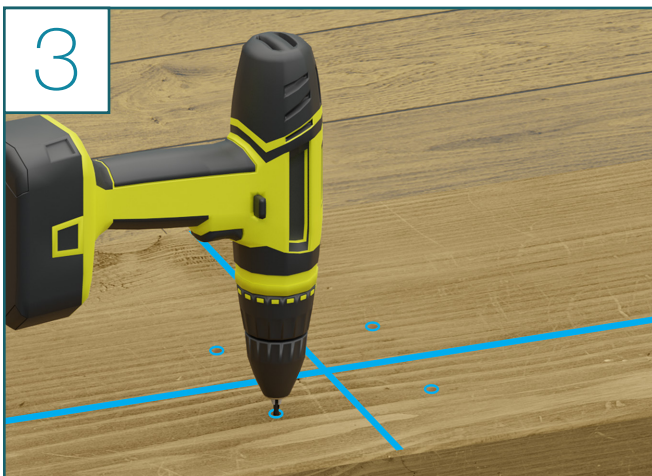


- Using your provided project layout identify the run you want to do first
- Measure and snap a chalk line to mark the run

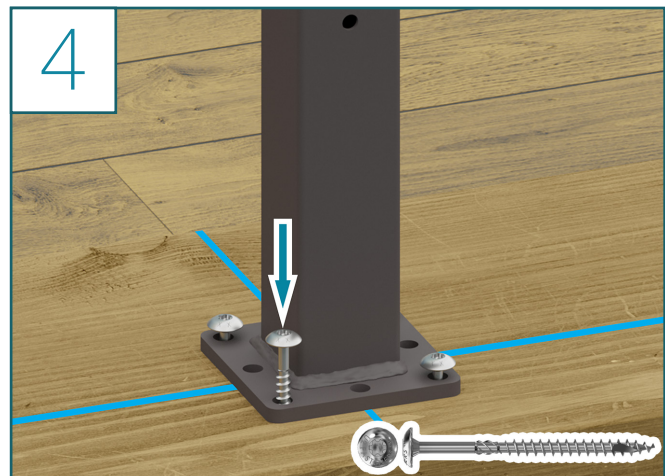


- Take the Ascend Talon and center it on your chalk line
- If the foot plate has marks, these can be used to orient the post properly
- Mark the hole placements
- At least four holes must be populated, with at least one hole on each side
- Set the talon aside

Note: It is possible with our textured powder coats, that the mark lines on the Aluminum Ascend Talon feet may be hard to see.

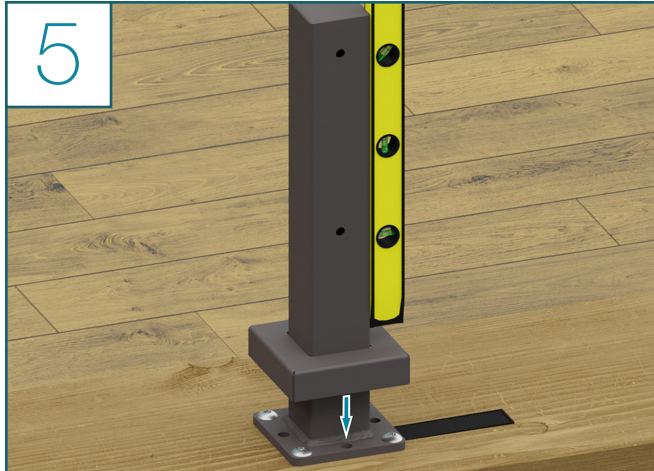


- Using a $\frac{3}{16}$ " drill bit, drill a pilot hole for each of the marked location to a depth of approximately 3"

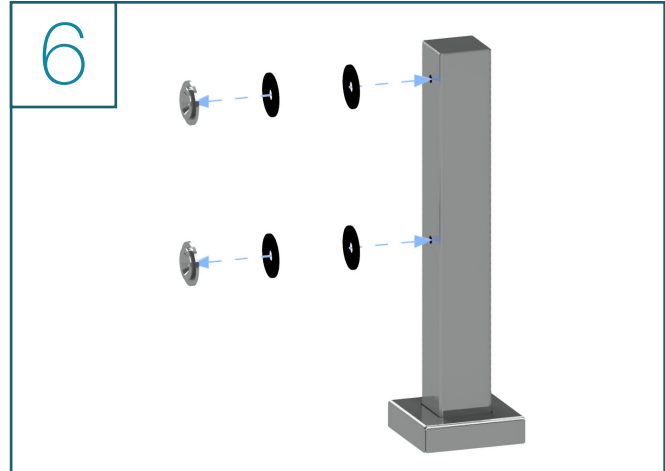


- Using the T-30 Torx bit, screw the mounting screws down until snug

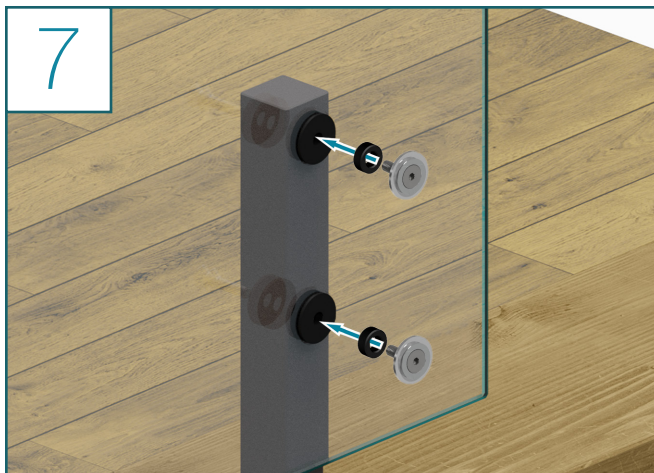
Ascend Talon Installation Steps (Continued)



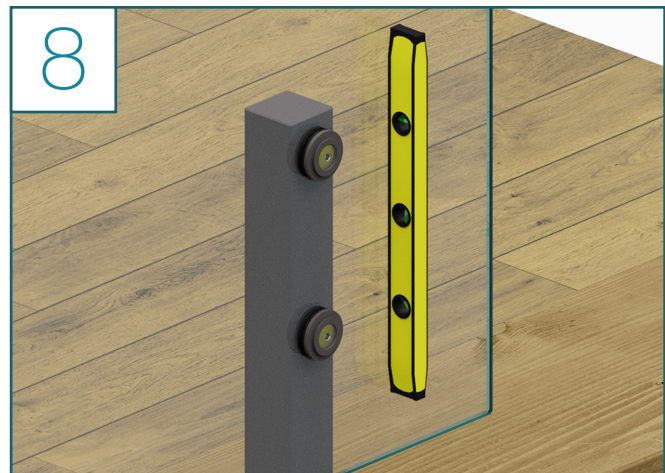
- Ensure the talon is plumb
- Use shims as needed and snap off any excess
- Slide the foot cover over the top of the Ascend Talon and into place



- Identify and prepare your glass panel
- Attach the first gasket around the flow drilled hole on the talon, and then attached the second gasket to the dovetail washer itself
- Doing this will ensure that the gaskets remain in the correct position during installation of the glass panel



- Move the panel into position, lining up the holes in the glass with the predrilled holes on the talon
- Prepare the mounting assembly by running the $\frac{3}{8}$ " x $1\frac{1}{2}$ " flat head bolts through the dovetail washer and the nylon bushing
- Using a $\frac{7}{32}$ " Allen wrench, fasten the mounting assembly through the panel to the talon

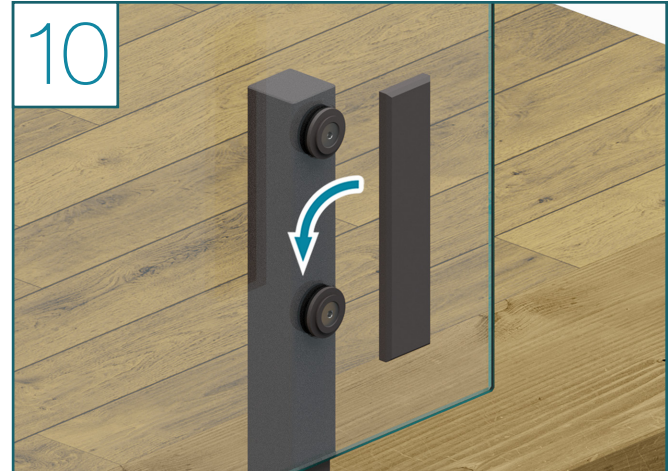


- Make sure the glass is level and tighten the bolts firmly

Ascend Talon Installation Steps (Continued)



- Apply silicone into the middle of the Ascend Talon cover, as shown, to help keep it in place



- Put the ascend talon cover against the glass
- Slide the cover straight down to lock the cover in place

Congratulations! You're done with this section.

We'd love to see your work! Snap a few pics with your phone and send them to pictures@viewrail.com. Thanks for choosing Viewrail. Enjoy your new installation!