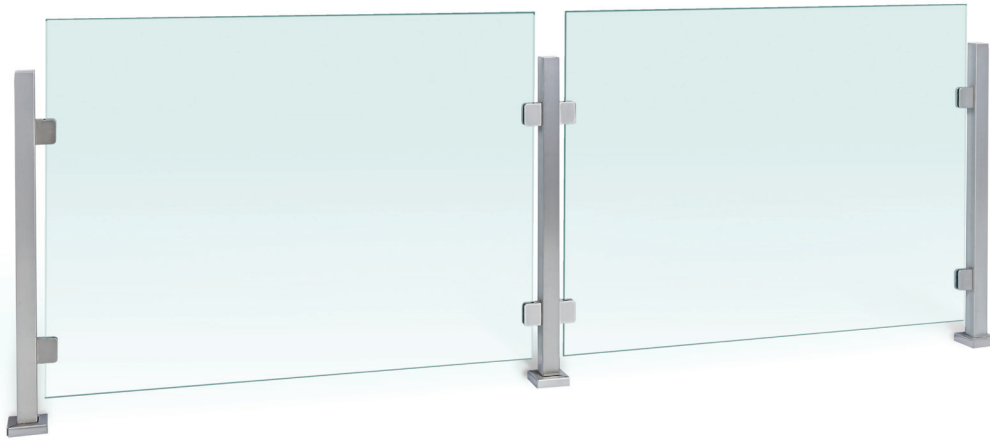




Look for this sticker
on hardware bags

STRUCTURE

Barrier Post Glass Installation Instructions



Before You Begin

Inspect area where the Posts are being installed.
Ensure that your mounting surface has sufficient backing.
For most jobs, a minimum of 4" of backing material is recommended in order to securely mount your Posts

Protect All Finished Surfaces

At each phase of installation, be sure to protect your posts and glass panels from debris that can cause marring to their finished surfaces.

Items You'll Need

Viewrail Layout Drawing

Glass Installation Kit:

- (1) Bottle of Gyeon Glass Cleaner
- (1) Microfiber Cloth
- (1) #5 Allen Wrench
- (1) #4 Allen Wrench
- (1) 2" T-30 Drive Bit
- (1) Stainless Steel Wipes
- (1) Pair Glass Suction Cup Handles
- (1) Corner Level

Cordless Drill

Impact Driver

Pencil

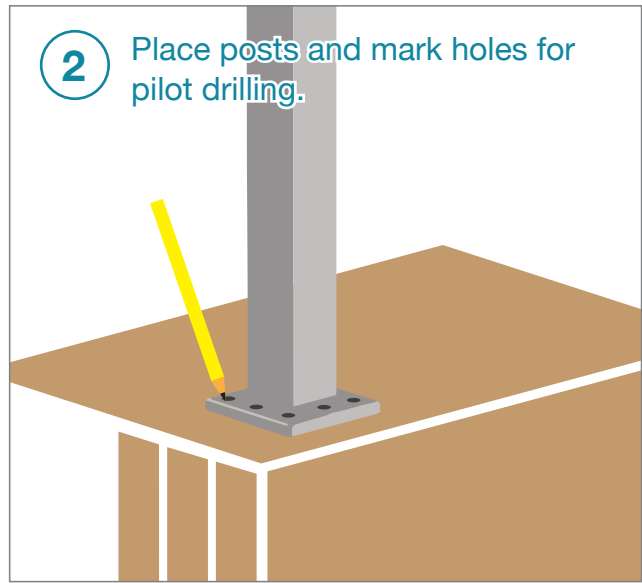
Post Mounting

Look for this sticker on hardware bags

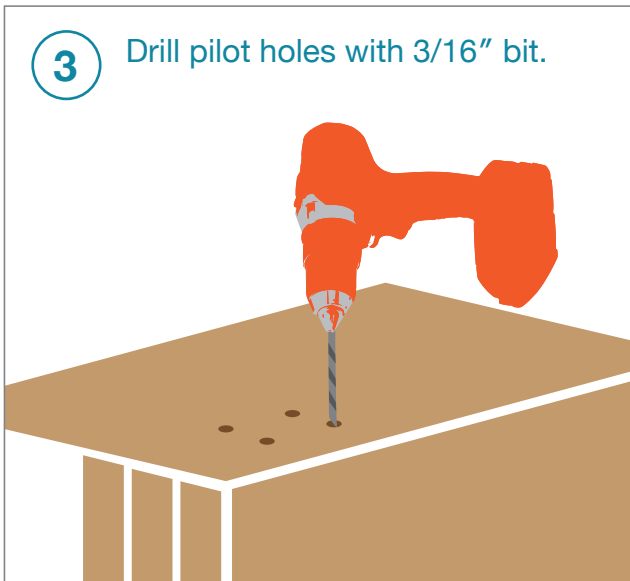
STRUCTURE

1 Refer to your Layout Drawing to determine the mounting location for each of the posts.

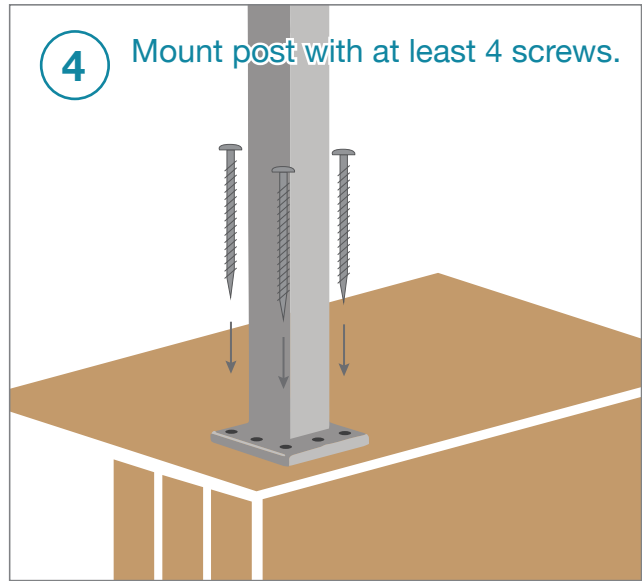
2 Place posts and mark holes for pilot drilling.



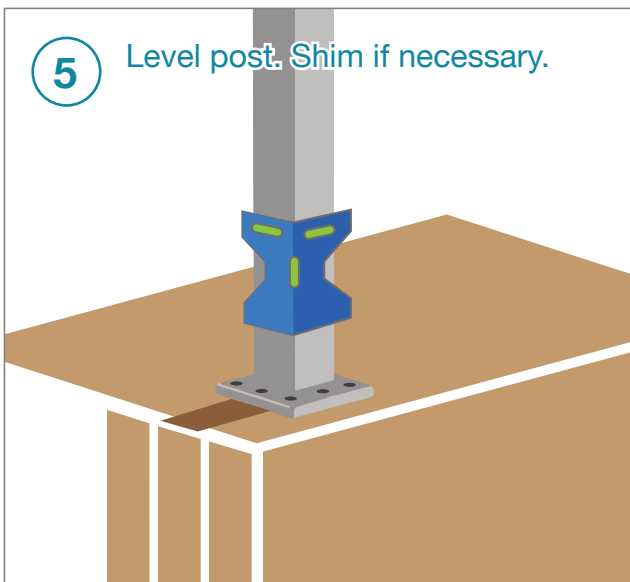
3 Drill pilot holes with 3/16" bit.



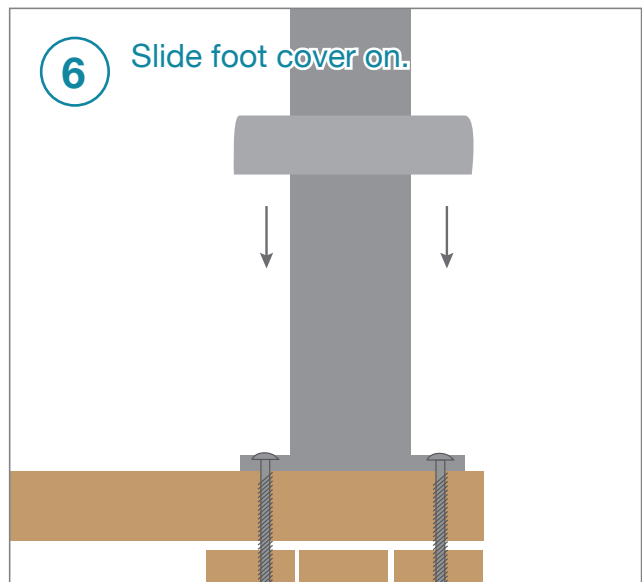
4 Mount post with at least 4 screws.



5 Level post. Shim if necessary.



6 Slide foot cover on.



Glass Mounting

Look for this sticker on hardware bags

