



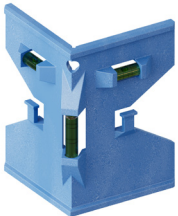
Slim Side Mount Post Installation Guide

Look for this sticker on hardware bags

STRUCTURE



Tools Needed from the Installation Kit



Post Level

Other Tools and Supplies Not Included in the Installation Kit

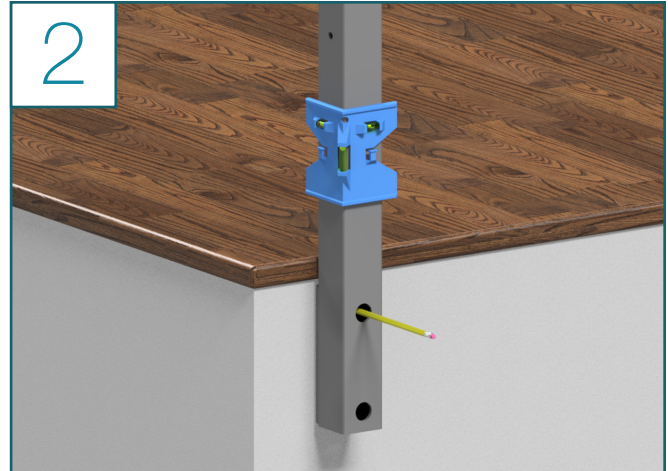
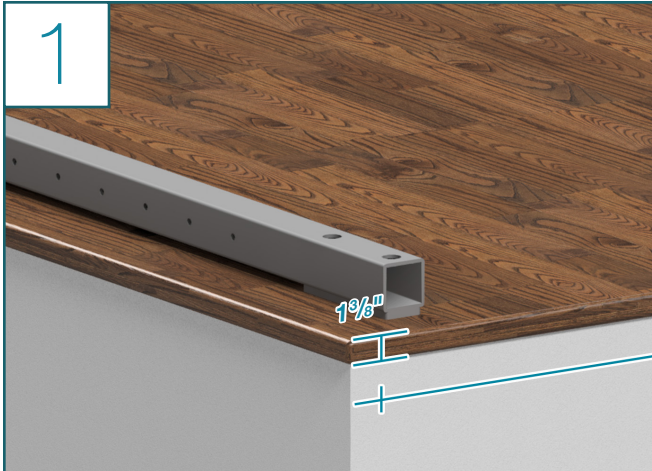
- Pencil
- Tape Measure
- Drill
- 1/4" Drill Bit
- Dead Blow Hammer

Things to Know Before You Get Started

- Read over the provided material to identify post types
- Slim Side mounted posts require triple 2x8's and are fastened with 6" post mounting screws or 6" through bolts
- All posts are designed to be mounted to a non-compressible surface. They will not mount properly to drywall or carpet



Slim Side Mount Post Installation Steps



- Refer to your Layout Drawing to determine the mounting location for each of the posts
- Side mounted posts are designed for the top of the plate to mount 1³/₈" beneath the surface of the flooring
- It may be helpful to mark your top line
- If you are mounting on a skirtboard / side of stairs, you will need to move the posts and mount wherever creates a 36" handrail height

- Place posts and mark holes for pilot drilling
- It may be helpful to have someone hold the post while marking the holes

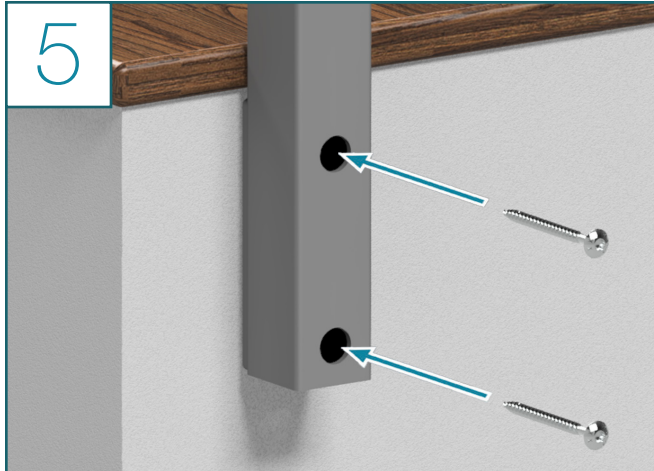


- Slide the Foam Insert into each post
- This ensures that the rods will not rattle & make noise

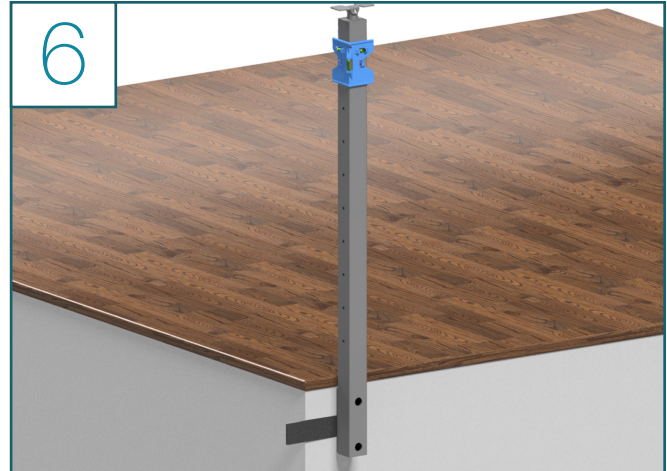


- Drill pilot holes with 1/4" bit
- Drill 4/4" holes for the 5" lags

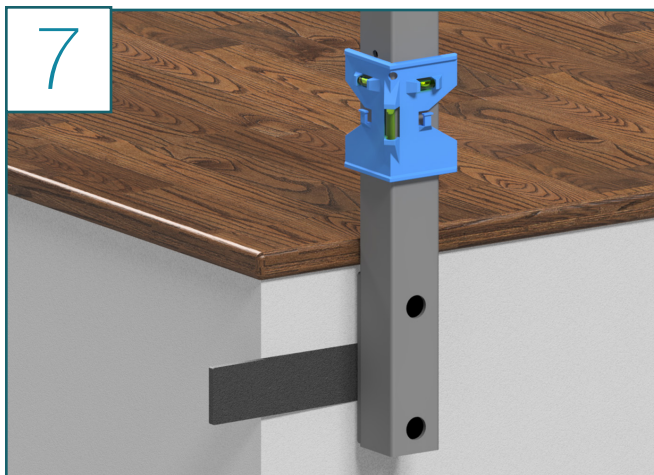
Slim Side Mount Post Installation Steps (Continued)



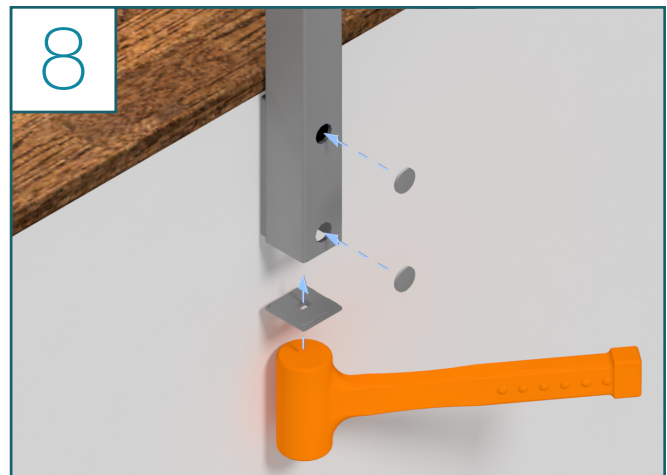
- Mount the post with both screws, or both through bolts
- Make sure the post is snug against the fascia



- Once the post is snug, use the post level to make sure the post is level
- Use the post level to make sure the post is plumb



- If the post is not completely level or plumb, use the set of shims to adjust
- Once mounted firmly in place, break off any excess shimming



- Peel the adhesive backing off of the hardware cover caps and press into place
- Using a dead blow hammer, tap the end cap into the bottom of each post

Congratulations! You're done with this section.

We'd love to see your work! Snap a few pics with your phone and send them to pictures@viewrail.com. Thanks for choosing Viewrail. Enjoy your new installation!