

### Tools Needed from the Installation Kit



3/8" Hanger Bolt Driver



Glass Suction Cup Handles



Glass Pin Spanner Wrench

### Other Tools and Supplies Not Included in the Installation Kit

- Plumb Bob
- Drill
- 15/64" Drill Bit
- Pencil
- Laser Line Level (Optional)
- String
- 2" Hole Saw
- String Line Level
- Spirit Level

### Things to Know Before You Get Started

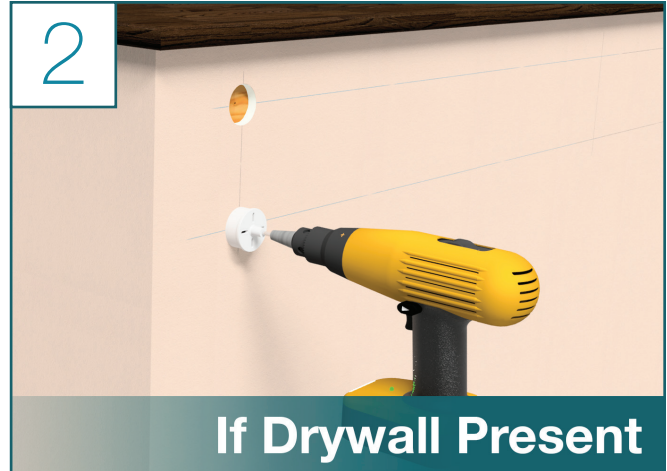
- Read over the provided material prior to the start of your installation
- This is, at minimum, a 2 person job
- Viewrail Glass systems and fittings are designed to have a 1" gap between panels of glass



## Universal Glass Pin Installation Steps

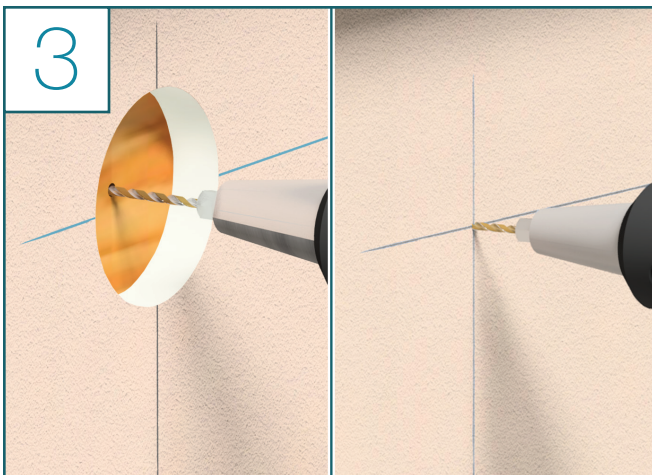


- Use a pencil and either a long straight edge or laser level to mark the pin placements based on the engineering prints provided to you
- It is important to make sure the hole locations are in line and level to each other

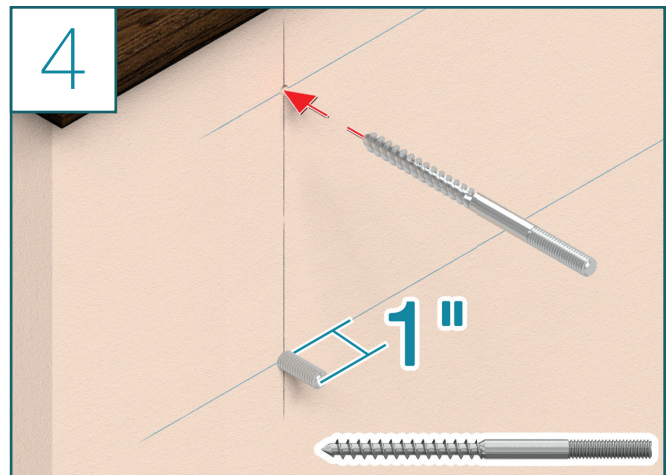


**If Drywall Present**

- It is important to mount glass structure to a solid material - **Do not mount any hardware to drywall or other compressible material**
- If your drywall is already in place, use a drywall circle cutter or a 2" hole saw to remove the drywall from the mounting location
- Try not to go any deeper than the drywall, as the center hole of the hole will need a pilot hole drilled into it to receive a screw that will hold the glass pin in place

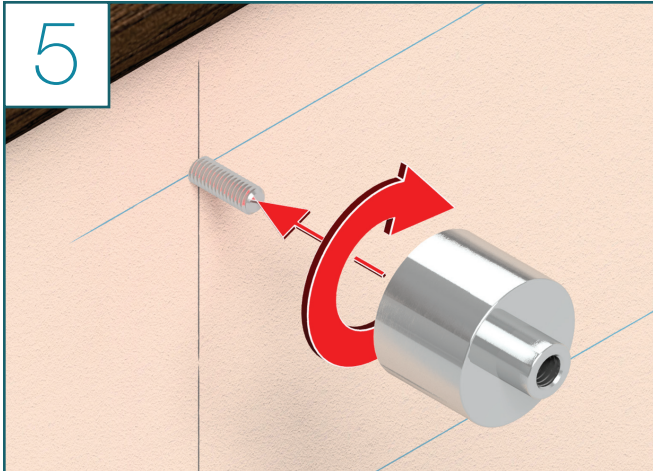


- Using a  $15/64$ " drill bit, drill a pilot hole where the pencil lines cross about  $4\frac{1}{2}$ " deep

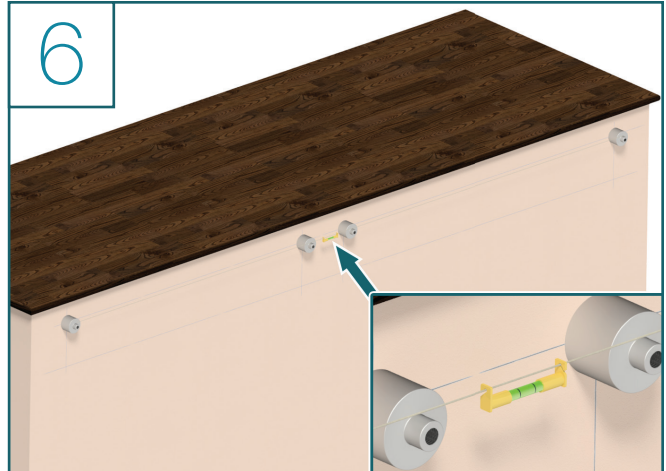


- Using a  $3/8$ " Hanger Bolt Driver, secure the Hanger Bolts into the holes drilled in Step 3
- Leave 1" of the Hanger Bolts exposed

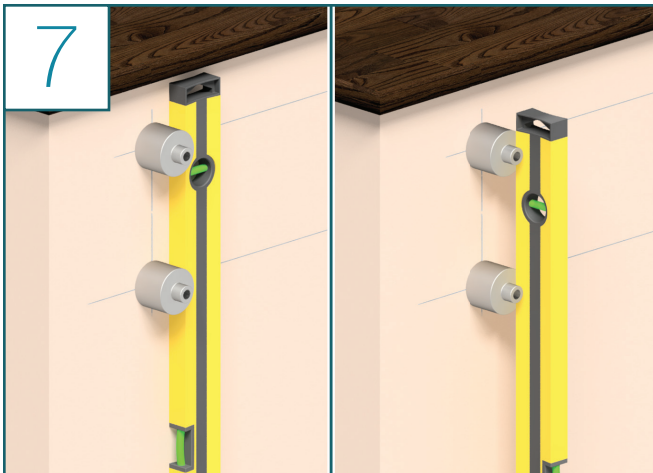
### Universal Glass Pin Installation Steps (Continued)



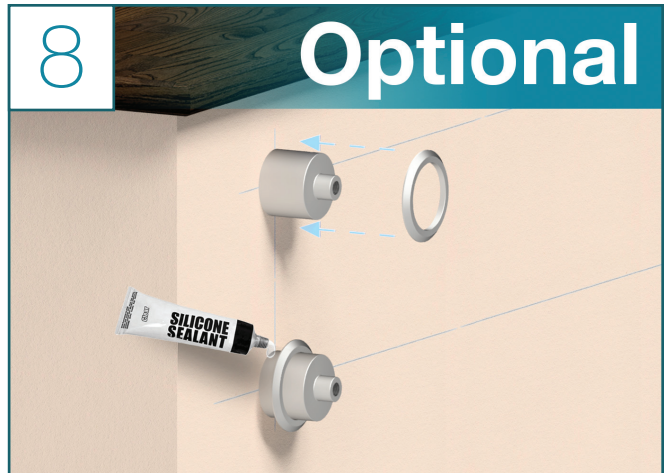
- Select the standoff pin base and thread it onto the exposed threads of the hanger bolt



- Using string and a line level, ensure that the upper row of pins are level with each other



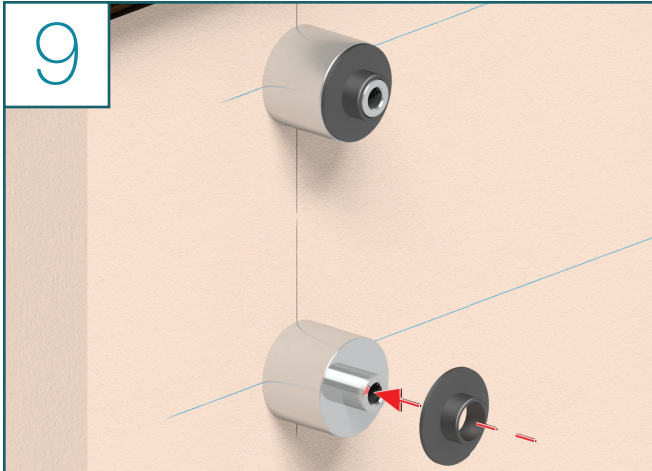
- Following the same process as the upper row pins, mount the lower pins
- Ensure they are plumb



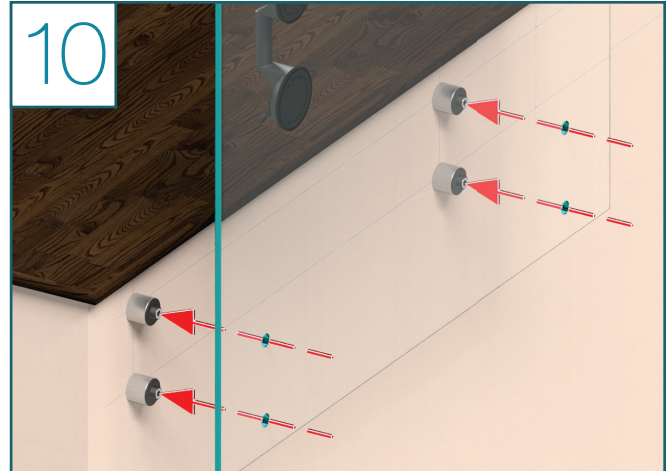
- Use the optional glass pin skirt to cover any wall blemishes
- Secure with a small amount of silicone



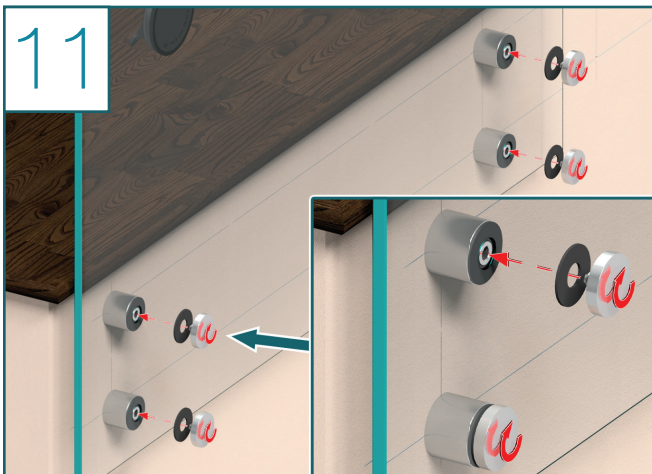
## Universal Glass Pin Installation Steps (Continued)



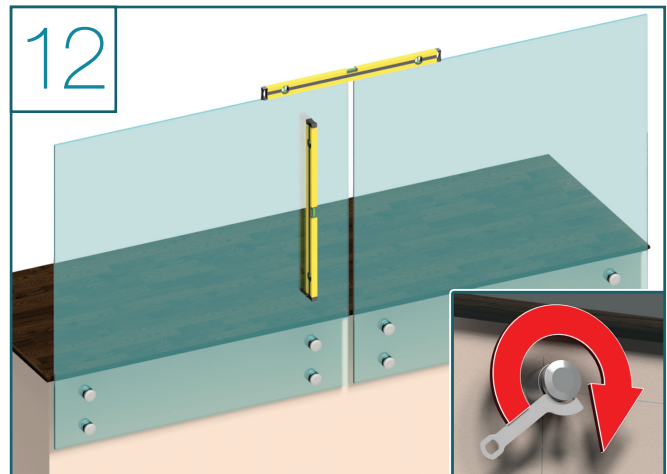
- Place a plastic bushing onto each glass pin cover
- Take this time to ensure the wall is cleaned of all pencil lines etc. before proceeding - there is very little space between the wall and glass once it is mounted



- Using Glass Suction Cup Handles, position the 1st glass panel into place
- Slide it over the plastic bushing on each pin



- While a partner holds the glass panel in place, select the remaining plastic washer and the Standoff Pin Cap
- Place the plastic washer on the cap's threaded stud, and thread the Cap into the Standoff Pin Base
- This will hold the glass



- Repeat Steps 10-11 for the remaining glass panels
- Ensure that glass panels are level and plumb with each other
- Tighten all glass pin caps using a spanner wrench

### Note:

*Because the holes made in the glass are bigger than the pins that hold them, you can position and reposition the glass to ensure that all panels line up the way they should.*

## Congratulations! You're done with this section.

We'd love to see your work! Snap a few pics with your phone and send them to [pictures@viewrail.com](mailto:pictures@viewrail.com). Thanks for choosing Viewrail. Enjoy your new installation!