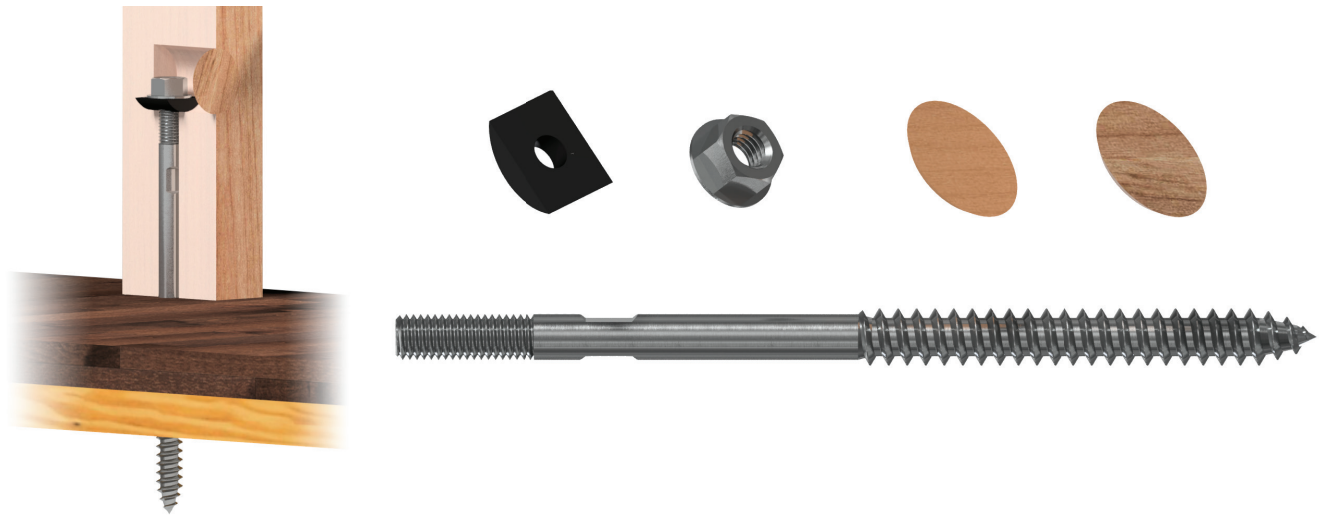


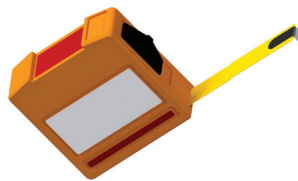
Sure-Tite Installation Guide



Tools and Supplies Needed for Installation



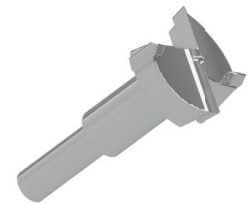
Pencil



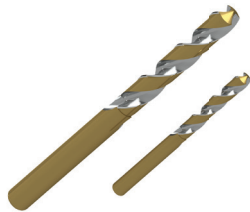
Tape Measure



Drill



1 1/2" Wood Boring Bit



Wood Drill Bits



Wrenches



Painter's Tape



Wood Glue

Things to Know Before You Get Started

- Read over the provided material prior to the start of your installation

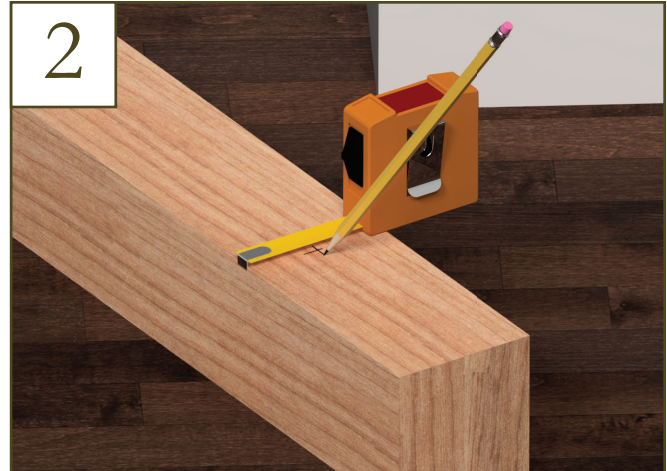


YouTube
Visit our YouTube channel to watch helpful installation videos
youtube.com/viewrail

Sure-Tite Installation Steps



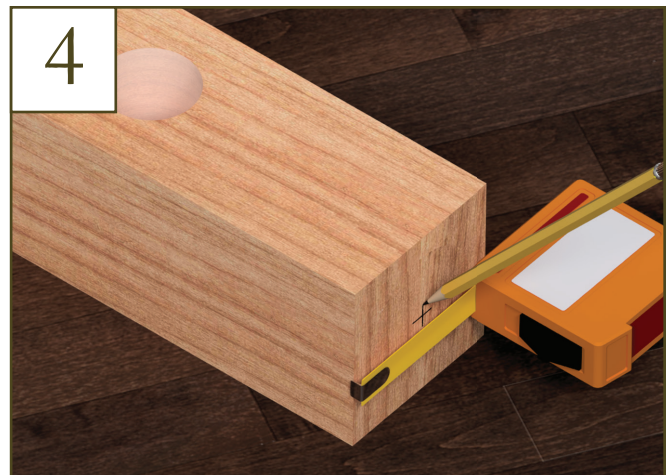
- After cutting your newel post to length, mark 5" up from the bottom of the post



- Then make a mark on the center of the post, to guide you where to drill



- Using a 1½" wood boring bit, drill 2/3 of the way through your post
- It may be useful to use tape to mark your drill bit depth so you do not over drill



- Then mark the center of the bottom of the post

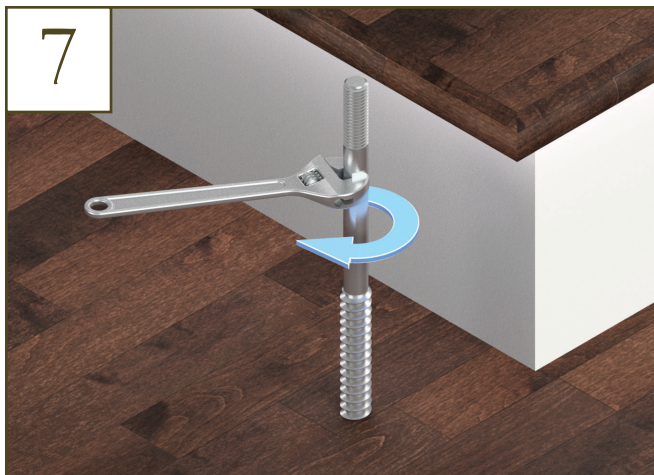
Sure-Tite Installation Steps (Continued)



- Using a $\frac{5}{8}$ " drill bit, drill a 5" hole in the center of the bottom of the newel
- The hole should be deep enough to connect with the hole drilled in step 3



- Using a $\frac{3}{8}$ " drill bit, drill a $5\frac{1}{2}$ " deep hole where you want to mount the newel post
- For example the floor, a tread/platform or into stringer if possible



- Use a wrench to screw the Sure-Tite into the hole you drilled in step 6

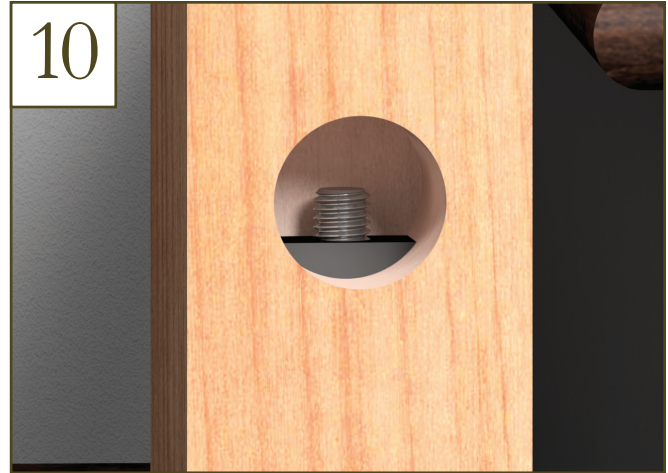


- Tighten it until between 5" & $5\frac{1}{2}$ " are still visible

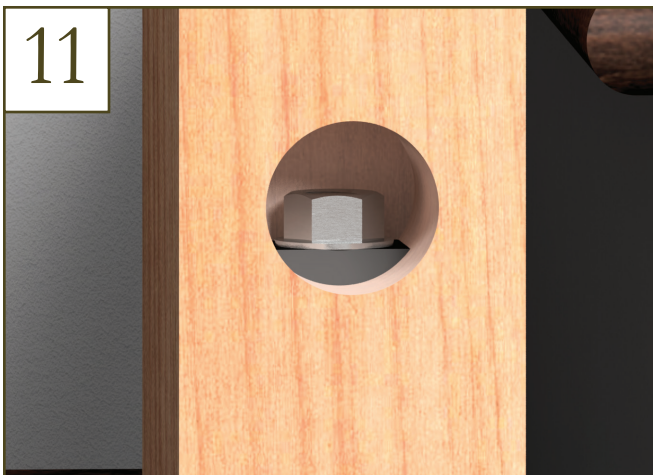
Sure-Tite Installation Steps (Continued)



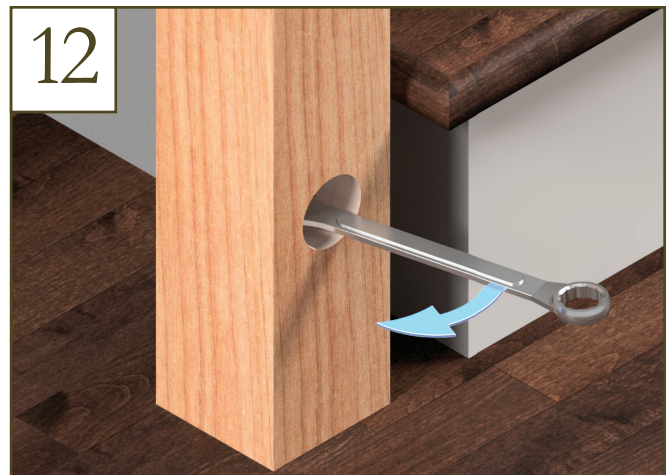
- Slip the newel post over the Sure-Tite, making sure there is enough room above the bolt



- Put the included plastic washer over the Sure-Tite

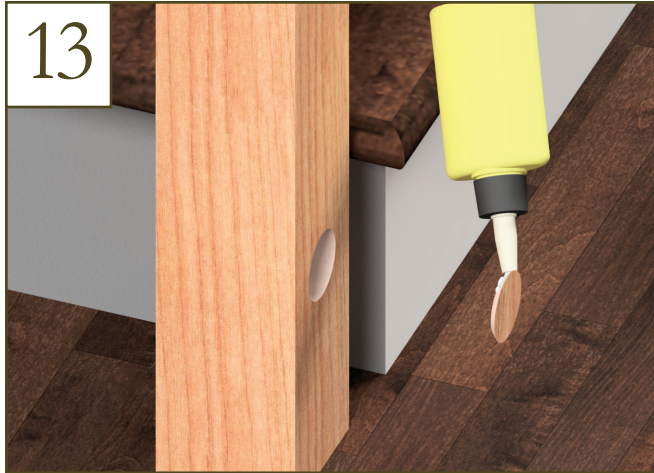


- Put the included metal nut on the Sure-Tite



- Turn the newel post so that the side with the 1½" hole is the most discreet
- Using a ¾" wrench tighten the nut until the newel is securely in place

Sure-Tite Installation Steps (Continued)



- Apply standard wood glue to the edges of the 1½" plug
- A Red Oak & Hard Maple plug are included
- Additional species are available on StairSupplies.com



- Insert the plug into the hole
- Use painters tape to hold it in place
- Allow the appropriate drying time
- Once the glue dries, remove the tape

Congratulations! You're done with this section.

We'd love to see your work! Snap a few pics with your phone and send them to pictures@stairsupplies.com. Thank you for choosing Viewrail. Enjoy your new installation!