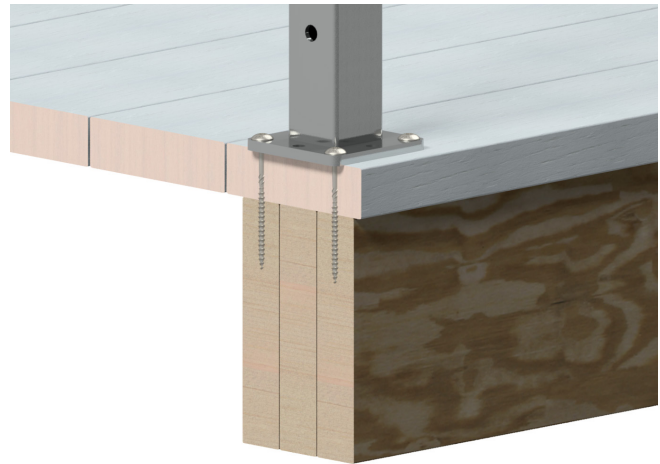


Post Blocking Instructions Installation Guide

Surface Mounted Post

When mounting a post down to a wood surface, it is important to have at least 4" of proper blocking. Proper blocking is solid wooden material that is firmly attached to the structure of the surrounding framing. Improper blocking could result in difficulties leveling the post, a weakened railing system, or product defect.

Surface mounted posts will be fastened to the structure using four $\frac{5}{16}$ " x 3 $\frac{1}{2}$ " lags.

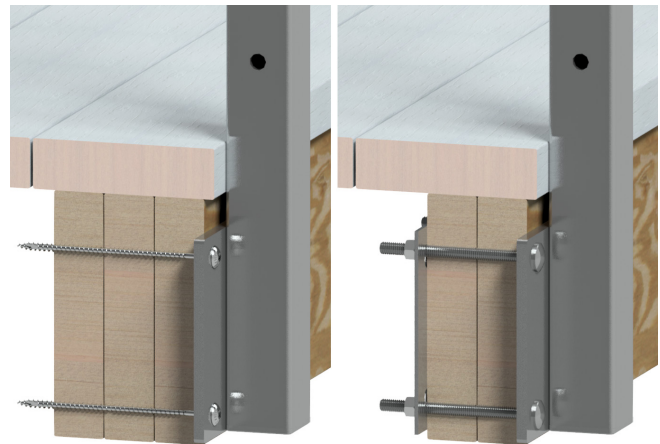


Side Mounted Posts

When mounting a post to the side, or fascia, of a deck or balcony there are two mounting hardware options: wood lags or through-bolts.

If you are using lags to attach your post to the fascia, you must have the equivalent of triple 2" x 8" or greater. Side mounted posts will be fastened with four $\frac{5}{16}$ " x 5" lags.

If you are using through bolts to attach your post to the fascia, you must have the equivalent of a double 2" x 8". These posts will be fastened with four $\frac{5}{16}$ " x 6" bolts. The bolts will go through the mounting plate, through the 2x8's, through the two metal backing plates, through the $\frac{5}{16}$ " Stainless Steel Washer, and tightened with the $\frac{5}{16}$ " Stainless Steel Hex Nuts.

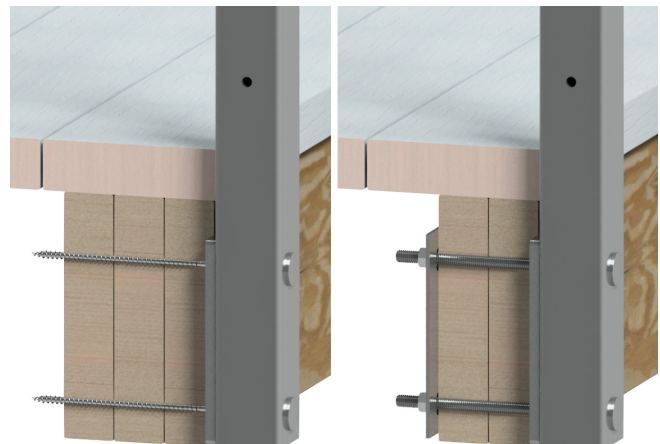


Slim Side Mount Posts

When mounting a post to the side, or fascia, of a deck or balcony there are two mounting hardware options: wood lags or through-bolts.

If you are using lags to attach your post to the fascia, you must have the equivalent of triple 2" x 8" or greater. Slim Side mounted posts will be fastened with two $\frac{5}{16}$ " x 5" lags.

If you are using through bolts to attach your post to the fascia, you must have the equivalent of a double 2" x 8". These posts will be fastened with two $\frac{5}{16}$ " x 6" bolts. The bolts will go through the $\frac{3}{8}$ " Flat Washer Nylon, through the post, through the 2 x 8's, through the metal backing plate, through the $\frac{5}{16}$ " Stainless Steel Washer, and tightened with the $\frac{5}{16}$ " Stainless Steel Hex Nuts.



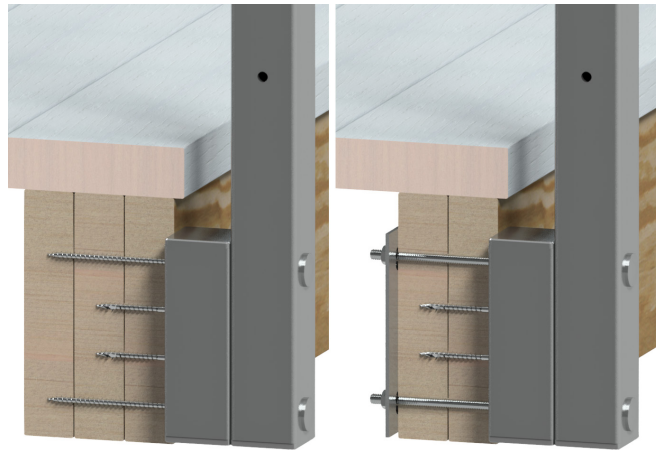
Post Blocking Instructions (Continued)

Slim Side Mount Bump Out Posts

When mounting a post to the side, or fascia, of a deck or balcony there are two mounting hardware options: wood lags or through-bolts.

If you are using lags to attach your Bump Out Post to the fascia, you must have the equivalent of triple 2"x8" or greater. Slim Side Mounted Bump Out posts will have an additional 2"x2"x6" addition. This will be fastened to the fascia first with two 2 1/2" screws. The post body will mount against this bump out using 5/16" x 5" lags.

If you are using through bolts to attach your post to the fascia, you must have the equivalent of a double 2"x8". Slim Side Mounted Bump Out posts will have an additional 2"x2"x6" addition. This will be fastened to the fascia first with two 2 1/2" screws. The post body will be fastened against the bump out with two 5/16" x 6" bolts. The bolts will go through the 3/8" Flat Washer Nylon, through the post and bump out, through the 2x8's, through the metal backing plate, through the 5/16" Stainless Steel Washer, and tightened with the 5/16" Stainless Steel Hex Nuts.



Angle Knee Wall Posts

When mounting a post down to a wood surface, it is important to have at least 4" of proper blocking. Proper blocking is solid wooden material that is firmly attached to the structure of the surrounding framing. Without proper blocking, the posts will be difficult to level, not support the proper amount of weight, or even cause product defects.

Angle Knee Wall posts will be fastened to the angled structure using four 5/16" x 3 1/2" lags.



Special Application Posts

The user may choose other methods based upon their research and experience. Load calculations are based upon uncracked 3000 PSI concrete. Wedge Anchors have ICC-ES approvals for use in uncracked concrete (ICC-ES ESR-2251). If your concrete is different, please consult the tables at itwredhead.com for ratings

Posts will utilize a 4 1/2" square mounting plate and will be fastened with 3/8" x 3 3/4" concrete wedge anchors.

