



# Express Post Installation Guide

## Overview

In this installation, you're going to:

- Run cable through posts
- Crimp a fitting onto one end
- Measure and cut the cable
- Then crimp a fitting onto the other end of the cable and tension it

## Table of Contents

*Read over the provided material prior to the start of your installation*

Safety Notice .....	2
Site Preparation .....	3
Level Post Installation .....	4
Level Handrail Installation .....	6
Level Cable Infill Installation .....	9
Angle Post Installation .....	17
Angle Handrail Installation .....	20
Angle Cable Infill Installation .....	23

## Tools Needed for this Installation

- |                          |                                     |
|--------------------------|-------------------------------------|
| Measuring Tape           | String (Provided)                   |
| Chalk Line Tool          | Phillips Screw Driver               |
| Speed Square             | 5/32" Allen Wrench (Provided)       |
| Pencil                   | Painter's Tape                      |
| Drill                    | Chop Saw                            |
| 3/16" Wood Drill Bit     | Dead Blow Hammer                    |
| 9/64" Square Head Bit    | Bar Clamps                          |
| T-30 Torx Bit (Provided) | Multi-Function Hand Tool (Provided) |
| Post Level (Provided)    | Neoprene Sleeve (Provided)          |



### Things to Know Before You Get Started

Read over the provided material prior to the start of your installation.

Make sure you have all of the posts, brackets, screws, cable and components needed for your installation.

When opening up the cable, it may help to open the spool inside a 5 gallon bucket to help control the cable.



# Site Preparation

## Preparing Your Project

1. Before beginning, it is important to review your project's shipping list and confirm you have received all your products. If you have not, please reach out to our customer service team as quickly as possible.
2. If you received your project from our Sales Team, refer to the provided layout drawing. If you created your own project, it will be helpful to draw your railing layout. Viewrail recommends a maximum of 48" between each post in your cable run.
3. There are three types of posts: End Posts, Line Posts, and Corner Posts.
4. Place each post you've received on your mounting surface according to the drawing you've received or created. **(fig. A)**  

Note: Each corner post will have  $\frac{5}{16}$ " holes on 3 sides. When laying out the corner posts, make sure the "inside post mount" holes are not pointing at each other.
5. At this point, it will also be helpful to layout your handrails and make sure you are using the correct lengths with the relevant runs.
6. Finally, it may be helpful to prepare and set aside your cable hardware for each post. You can refer to the hardware shown on page 1 to help. Setting aside your cable hardware will not only ensure you have the correct fittings, but will also help you understand the orientation of the posts.

*Tip: When accounted for, set aside each post's hardware in a box or baggy to make sure they do not become lost.*

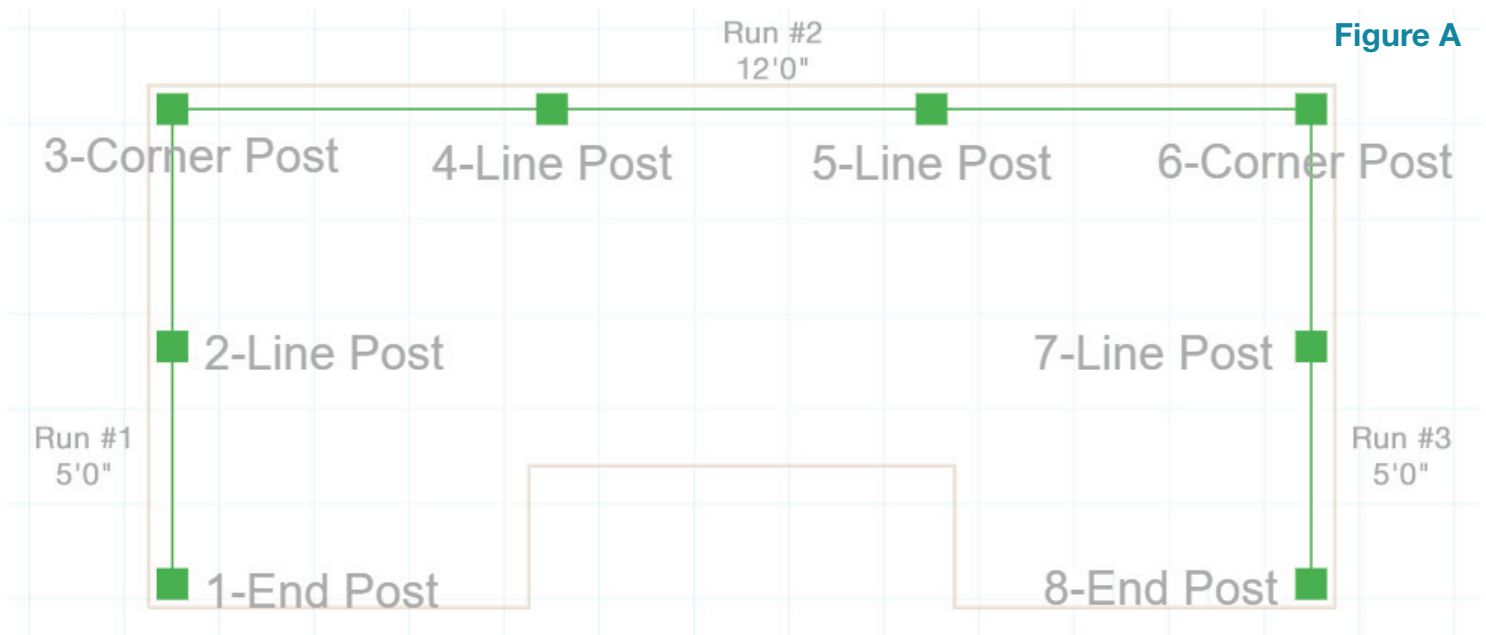
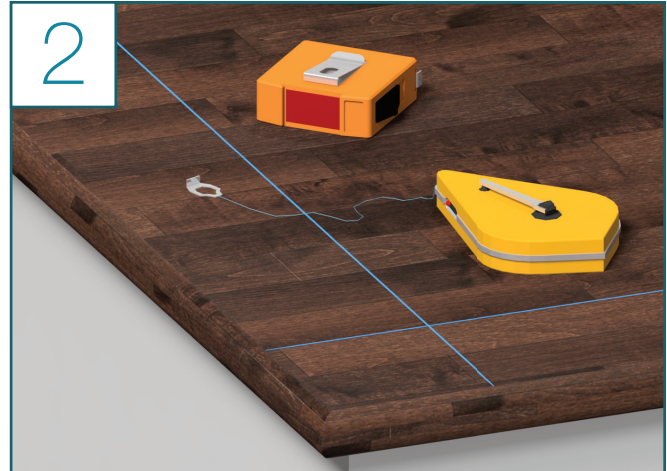


Figure A

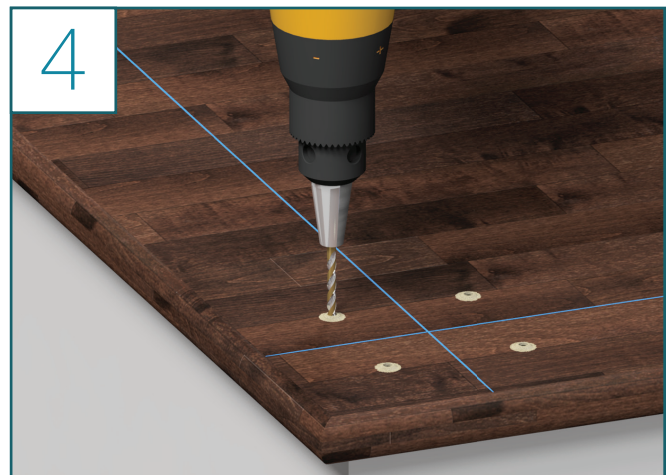
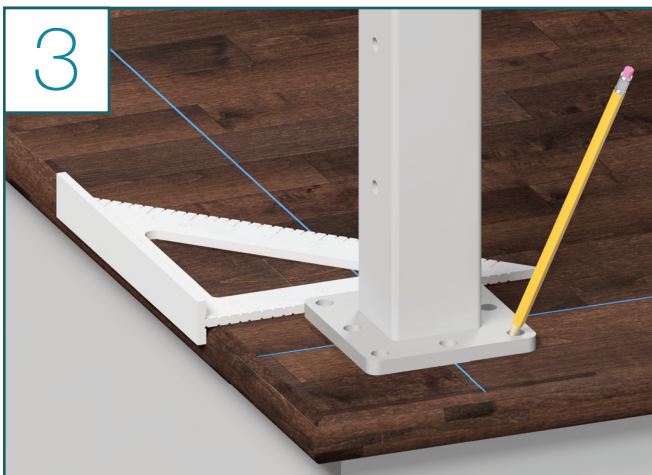
# Level Express Post Installation



- When mounting your level posts it is important to make sure your posts are:
  - Mounting over 4" of solid blocking
  - In line with each other
  - Square to each other

- To help with this, you can snap a chalk line the length of the run to help orient your posts

*Note: To snap a chalk line correctly, make sure each end of the line is held off the edge of the mounting surface at the same distance. You can choose to either snap the center line or the front edge to ensure alignment.*

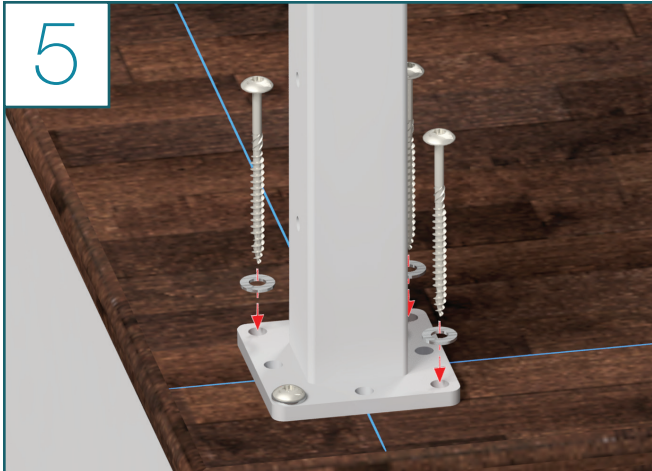


- Set the posts on this line
- Use a square to make sure each post is plumb with the environment and with each other
- Use a pencil or pen to mark each mounting hole in the foot plate
- Set aside the post

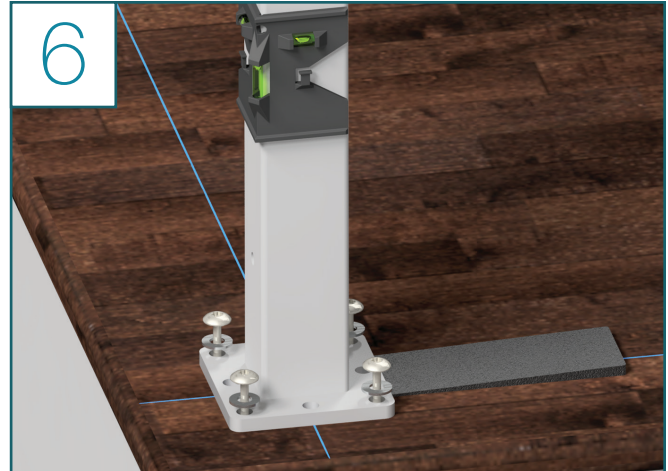
- Use a  $\frac{3}{16}$ " drill bit to pre-drill the post mounting holes to an approximate depth of  $3\frac{1}{2}$ "

*Note: Make sure to use at least one hole per side of the post. For example, use all four middle holes, or, all four corner holes.*

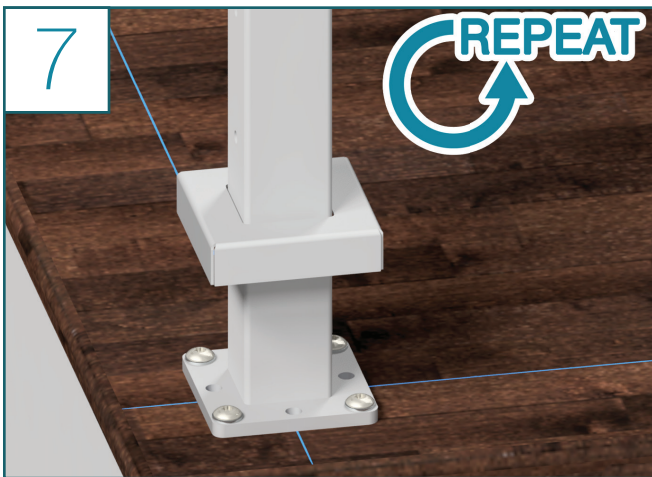
### Level Express Post Installation Steps (Continued)



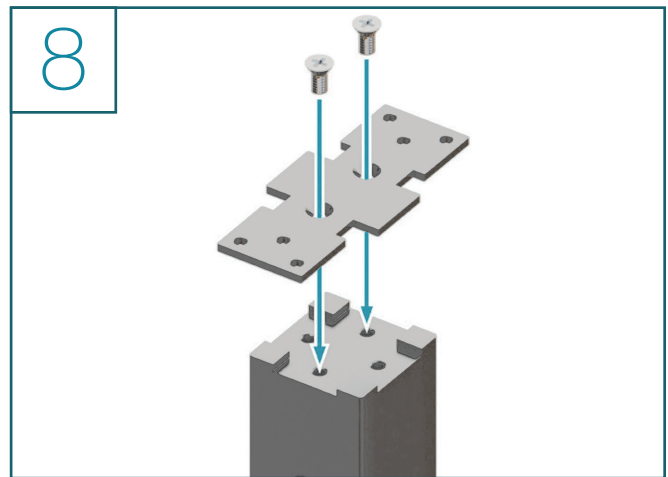
- Replace the post over your mounting holes
- Use the T-30 bit and populate your pre-drilled holes with the provided washers and screws



- Using the provided post level, ensure that your post is level
- If the post is not level, back out the mounting screws slightly, apply shims as needed, and fasten the screws



- Slide the foot cover over the top of the post foot
- Repeat steps 4-7 until all posts have been mounted



- Position the handrail bracket on your level posts
- Use a Phillip's head screw driver to attach the bracket to the post

*Note: When orienting the handrail brackets for your corner posts, ensure that the 90° angle of the bracket faces the center of your project.*

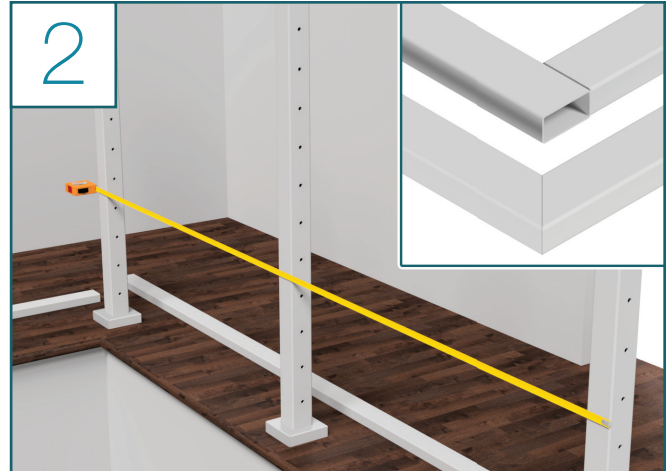
## Congratulations! You're done with this section.

We'd love to see your work! Snap a few pics with your phone and send them to [pictures@viewrail.com](mailto:pictures@viewrail.com). Thanks for choosing Viewrail. Enjoy your new installation!

# Level Handrail Installation



- Before mounting any handrail, lay out your handrail for each run and make sure you have correct lengths



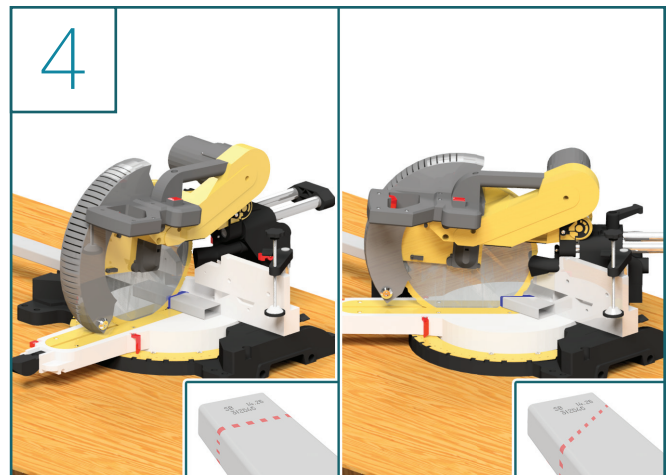
- Measure the length of your run, or however far you would like the handrail to extend past each bracket

*Note: For corners, you can either miter the handrail or butt joint them on top of the corner bracket.*



- Place painters tape on the area of the handrail you will be cutting
- Mark where you will cut the handrail on the tape

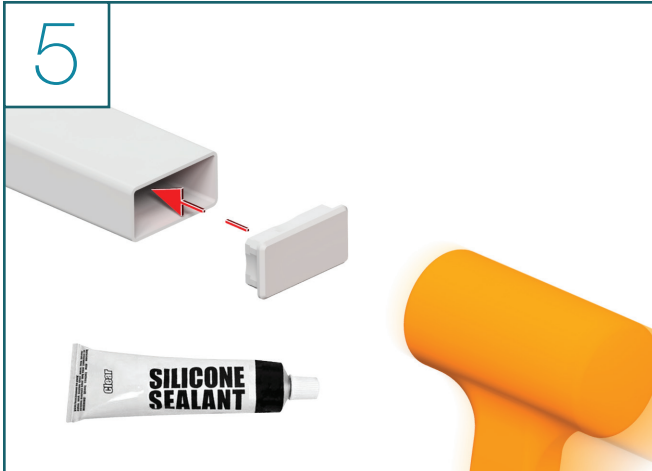
*Note: Make sure to locate the production marks on one end of each handrail. It will be important to remove that end of each handrail when cutting them to length.*



- Use a chop saw to cut the handrail at the mark you made
- Make sure you are using a blade rated to cut your material
- Remove the tape from the end of your handrail

*Note: Make sure to locate the production marks on one end of each handrail. It will be important to remove that end of each handrail when cutting them to length.*

### Level Handrail Installation Steps (Continued)



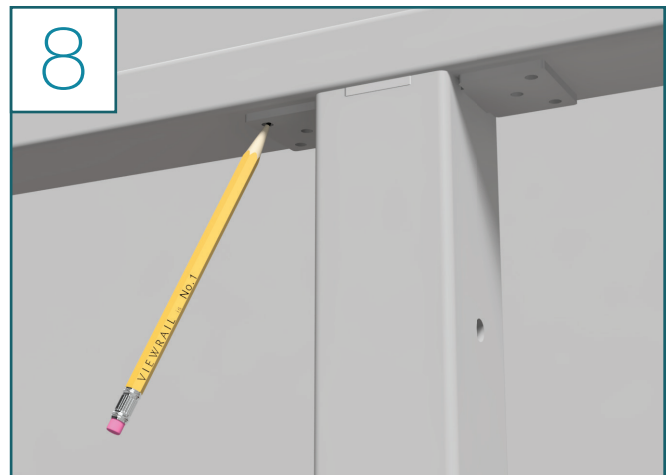
- If you have a metal handrail, place the end cap over the open end of the handrail and gently tap it into place using a dead blow hammer or rubber mallet
- You can use silicon or a similar adhesive if desired



- Center the handrail on top of the handrail brackets

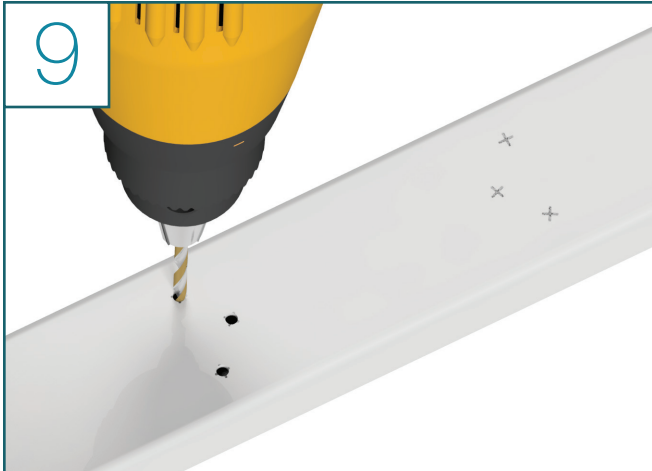


- Clamp the handrail to the first and last handrail brackets in a run
- Make sure the clamp has rubber padding
- This will keep the handrail in place while you drill into the handrail

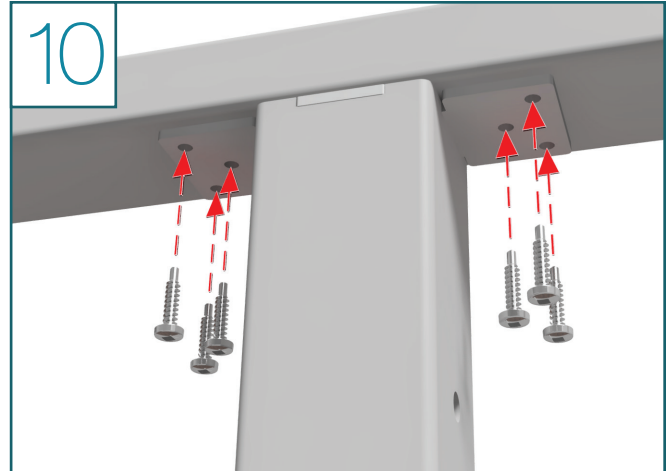


- Using a pencil, mark the holes for the handrail screws
- Once finished marking the inside posts, move the clamps from the outside posts to the inside posts
- Repeat this process on the outside posts

## Level Handrail Installation Steps (Continued)



- Remove the clamps and the handrail
- Set the handrail upside down on a protected surface
- Pre-drill and populate the holes of the clamped brackets using a  $\frac{9}{64}$ " or #29 drill bit and the provided mounting screws



- Set the handrail back into place over the posts
- Again use bar clamps to secure it in place
- check that all the holes drilled in the previous step line up with the handrail brackets on the post
- Attach the handrail brackets to the handrail with the provided screws
- Full & Corner Brackets: Populate all 6 holes
- Half Brackets: Populate all 3 holes

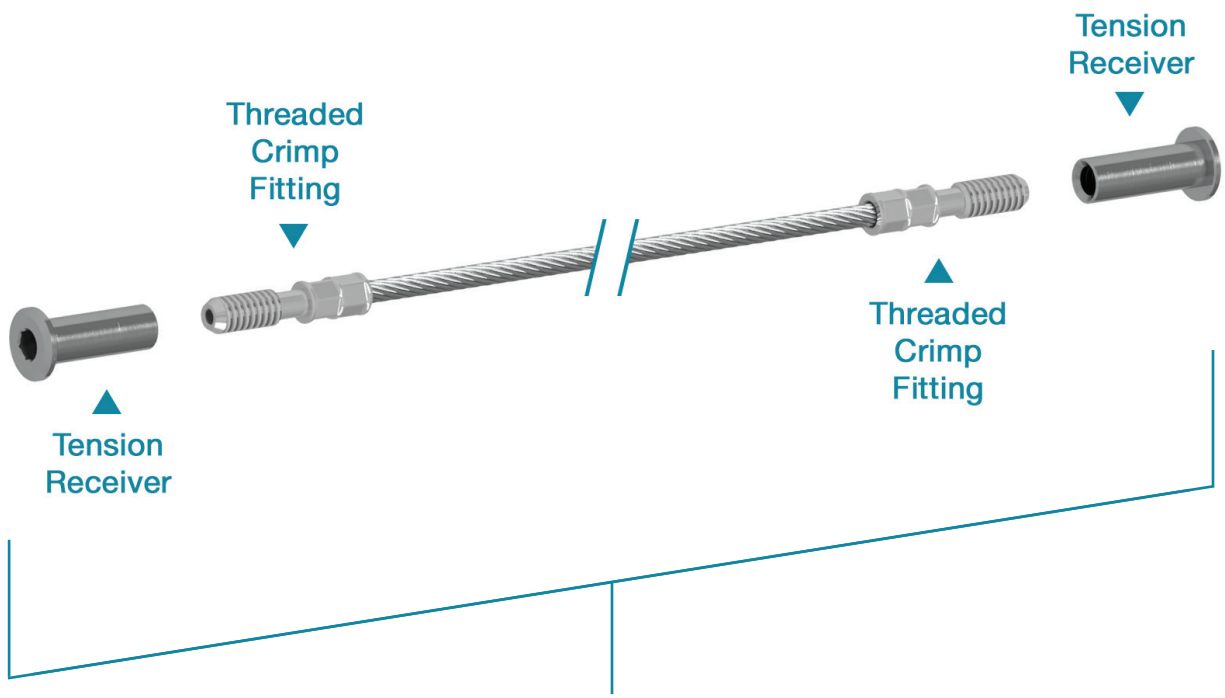
# Congratulations!

## You're done with this section.

We'd love to see your work! Snap a few pics with your phone and send them to [pictures@viewrail.com](mailto:pictures@viewrail.com). Thanks for choosing Viewrail. Enjoy your new installation!

# Express Post - Cable Infill Installation Guide

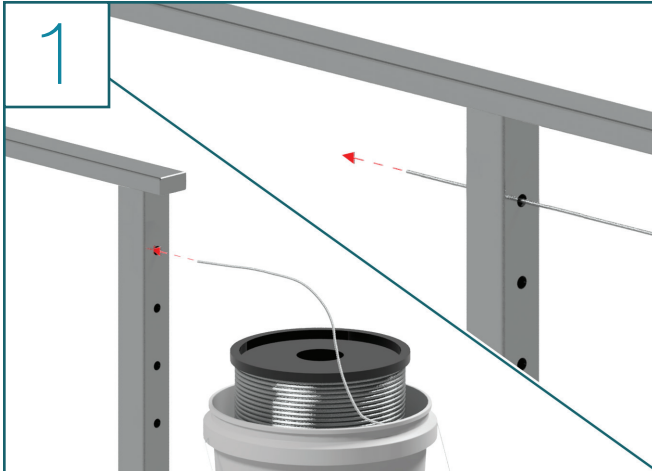
## Level Tension Kit to Level Tension Kit



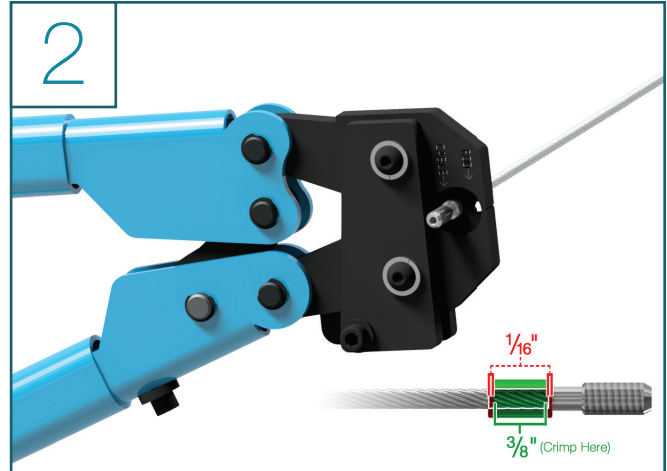
Level Tension Receiver



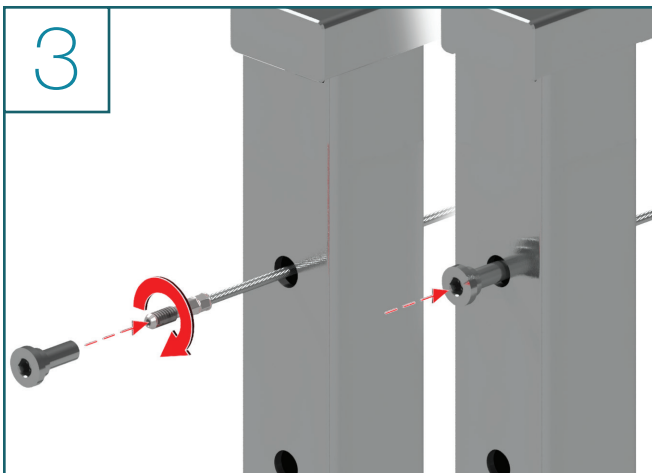
## Express Post Installation Steps - Level Tension Kit to Level Tension Kit



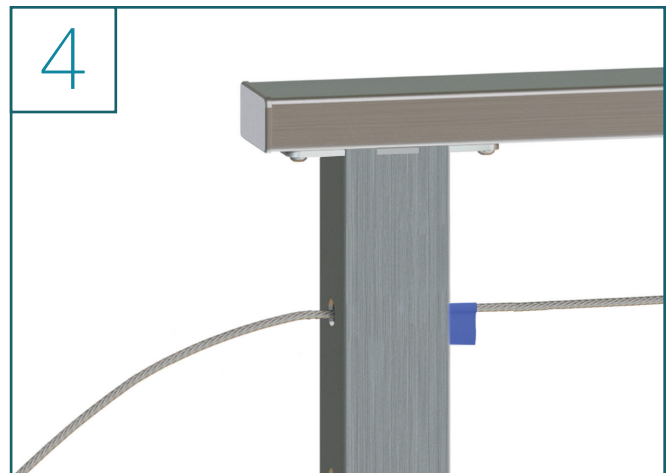
- Take the loose end of your cable spool and slide the cable through the posts on the run you are working on
- Since both ends of the cable will use the same type of post holes, it does not matter which end you start from



- Once the cable passes through the final post on the run, crimp a Threaded Crimp Fitting onto the end of the cable
- Crimp the Threaded Crimp Fitting then turn it 90° and crimp it again

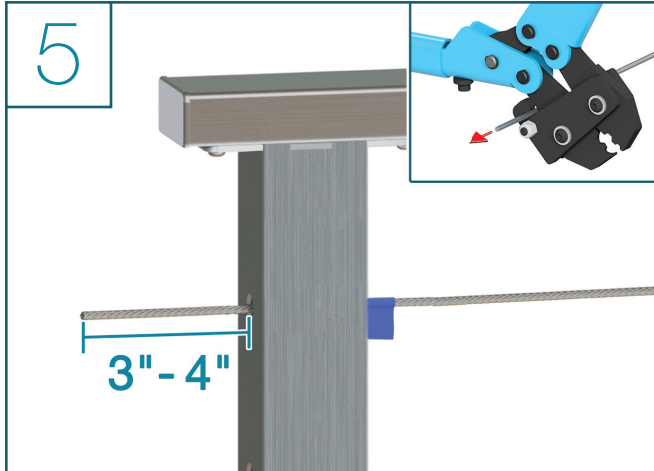


- Thread a Tension Receiver onto the Threaded Crimp fitting four full turns
- Pull the cable back against the post so the Tension Receiver is pulled into the post

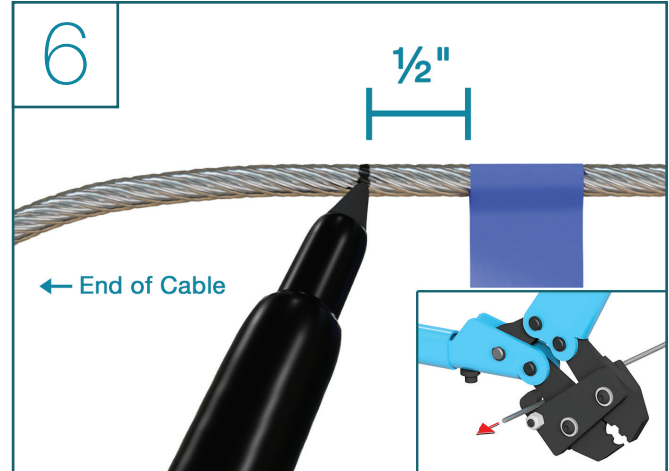


- Return to the other end of the run where the Level Tension Kit will be installed nearest the spool, and pull the cable tight for the full run
- Place painter's tape on the cable where the cable meets the inside edge of the post

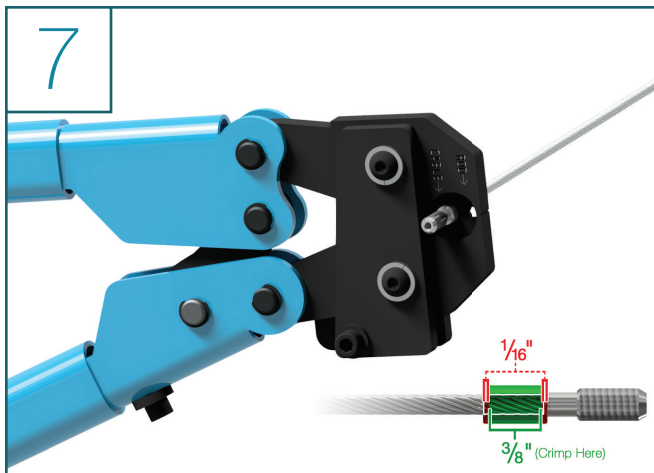
Express Post Installation Steps - Level Tension Kit to Level Tension Kit



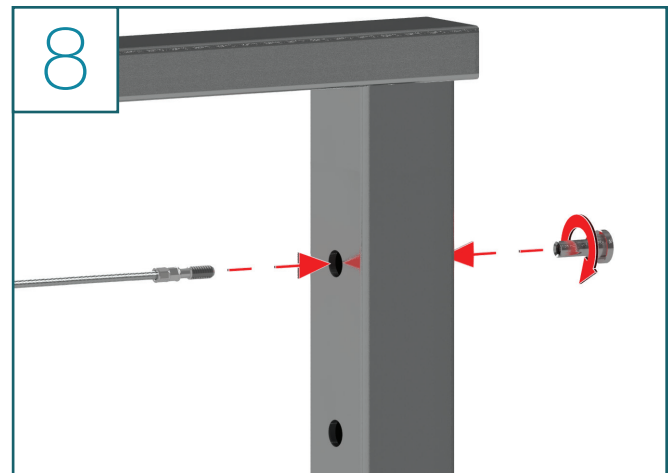
- Use the side cutting tool located below the main crimping head to cut your cable
- Slide the cable through the cable cutter and cut the cable 3" - 4" extra past the outside edge of the post



- Remove the cable from the post
- Add and mark 1/2" past the painter's tape
- Cut the cable on this mark

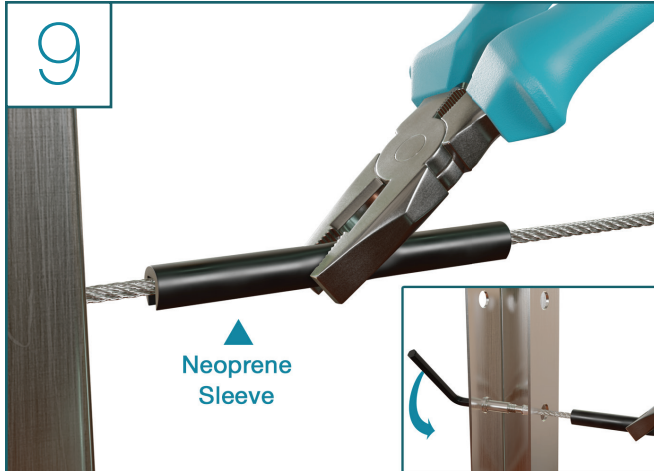


- Crimp a Threaded Crimp fitting onto the second end of the cable
- Crimp the Threaded Crimp Fitting then turn it 90° and crimp it again

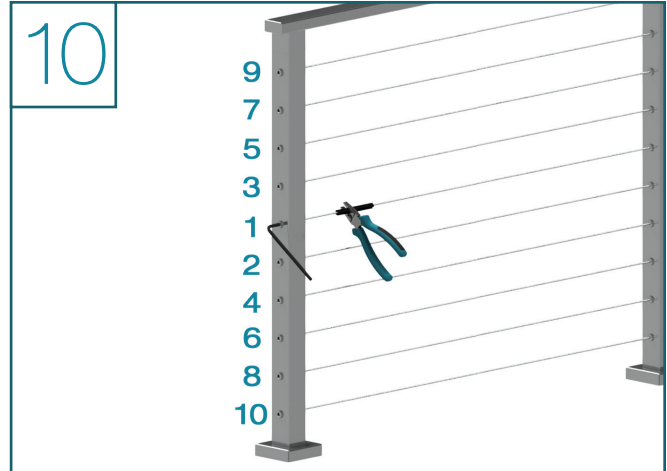


- Insert the Threaded Crimp Fitting into the hole on the inside face of the post
- Then, insert the Tension Receiver into the hole on the outside face of the post
- Meet both in the middle of the post and thread the Tension Receiver onto the Crimp Fitting four full turns

## Express Post Installation Steps - Level Tension Kit to Level Tension Kit



- Slide the protective Neoprene Sleeve onto the cable near the post you are working on
- Firmly grasp the sleeve with pliers and use the supplied  $\frac{5}{32}$ " Allen wrench to tighten the Tension Receiver only snug enough to hold in place



- After all the cable runs are done, use the Allen wrench to tighten the remaining side of the cable run in sequence
- Holding the cable with the pliers & neoprene sleeve, tighten until the cable is taut and then turn the Tension Receiver another half turn

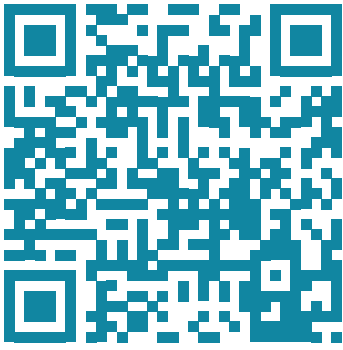
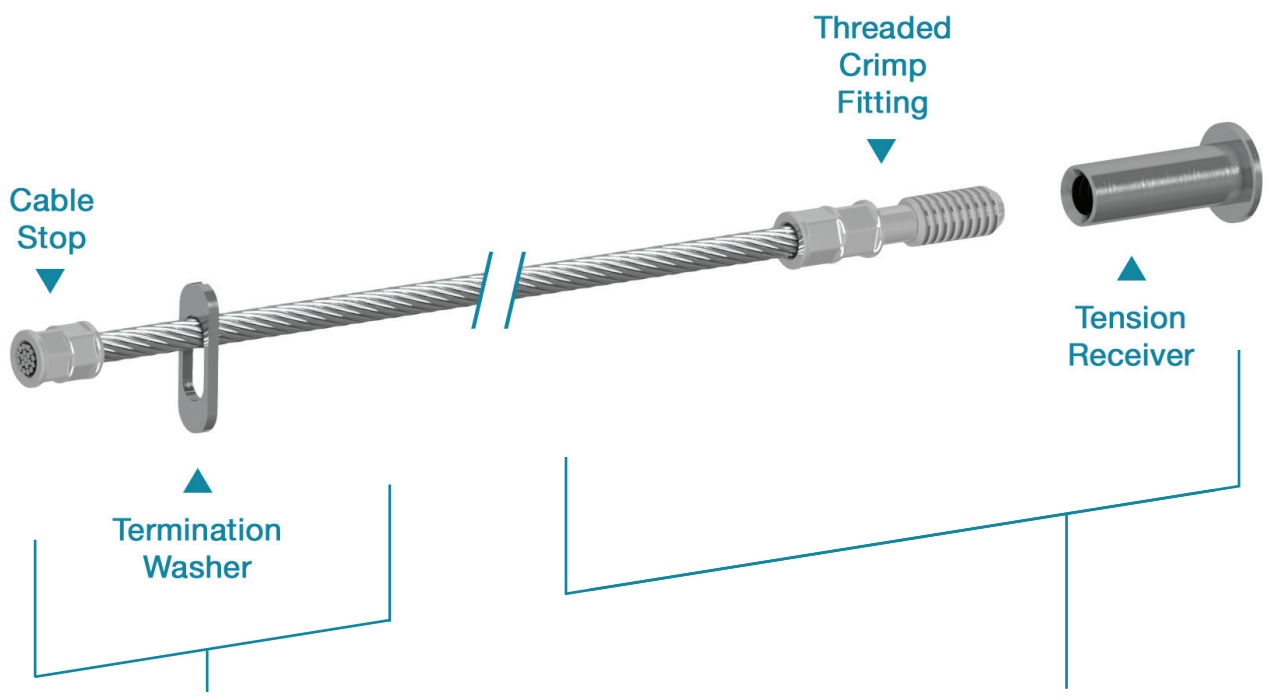
***\*Before tensioning any cable infill, please ensure all posts and handrail are fully installed***

# Congratulations! You're done with this section.

We'd love to see your work! Snap a few pics with your phone and send them to [pictures@viewrail.com](mailto:pictures@viewrail.com). Thanks for choosing Viewrail. Enjoy your new installation!

# Express Post - Cable Infill Installation Guide

## Inside Post Mount Kit to Level Tension Kit

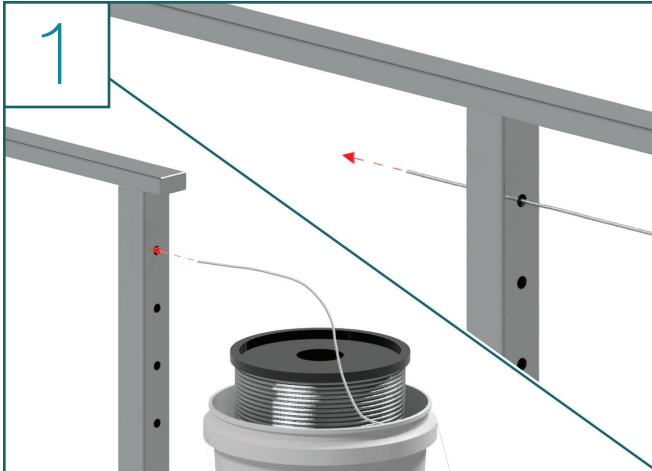


Inside Post Mount

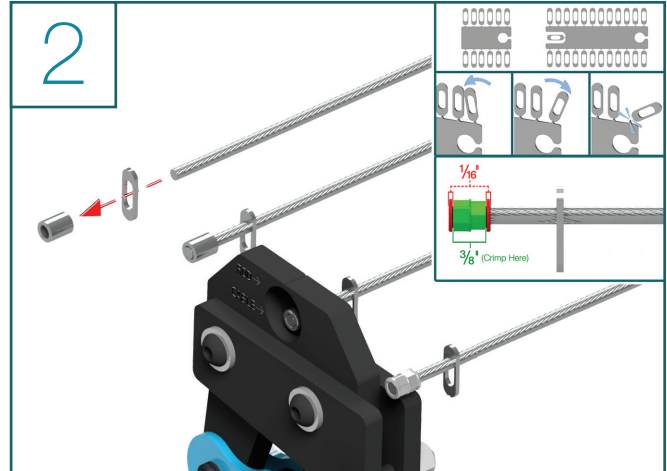


Level Tension Receiver

### Express Post Installation Steps - Inside Post Mount Kit to Level Tension Kit

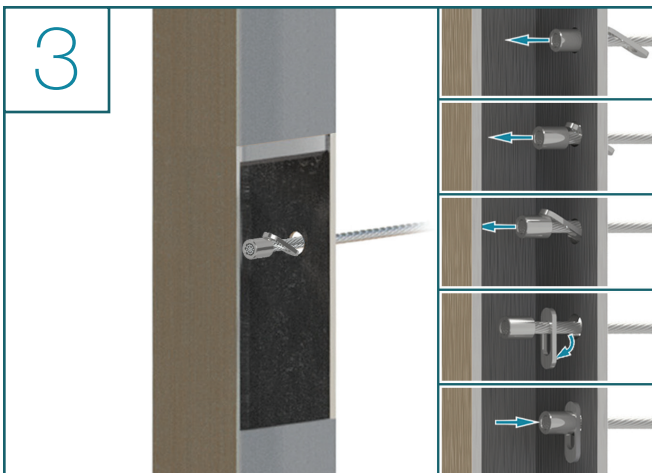


- Take the loose end of your cable spool & slide the cable through the post that will receive the Level Tension Kit
- Pass the cable all the way down the run, through any intermediate posts, until it meets the end of the run

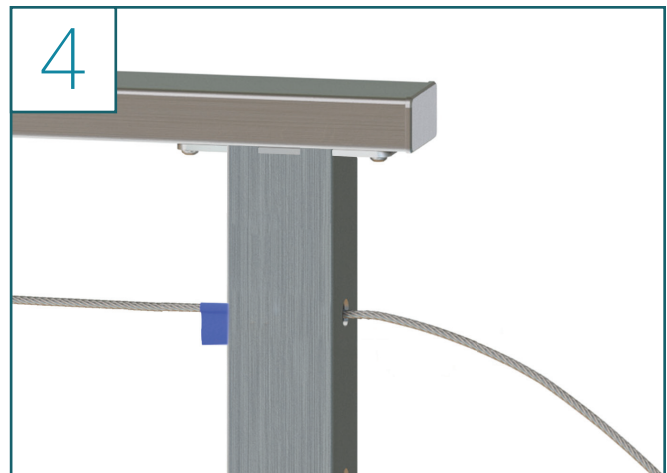


- Slide the loose end of the cable through the Termination Washer, and into the Cable Stop
- Crimp the Cable Stop on to the end of the cable, then turn it 90° and crimp it again

*Note: In order to free a Termination washer from the metal frame they come on, you must bend one back and forth a couple times and it will break free*

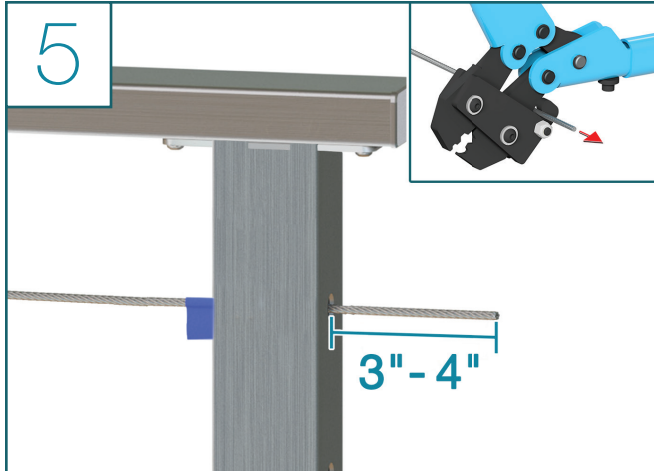


- Insert the Cable Stop into the  $\frac{5}{16}$ " hole
- Then turn the Termination Washer (shown above) and slide it into the  $\frac{5}{16}$ " hole as well
- Pull the cable back and the Cable Stop and Termination Washer will lock against the inside of the post

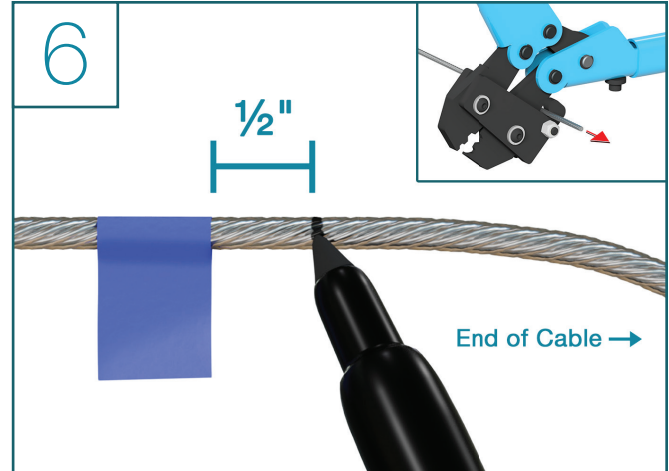


- Return to the other end of the run where the Level Tension Kit will be installed nearest the spool, and pull the cable tight for the full run
- Place painter's tape on the cable where the cable meets the inside edge of the post

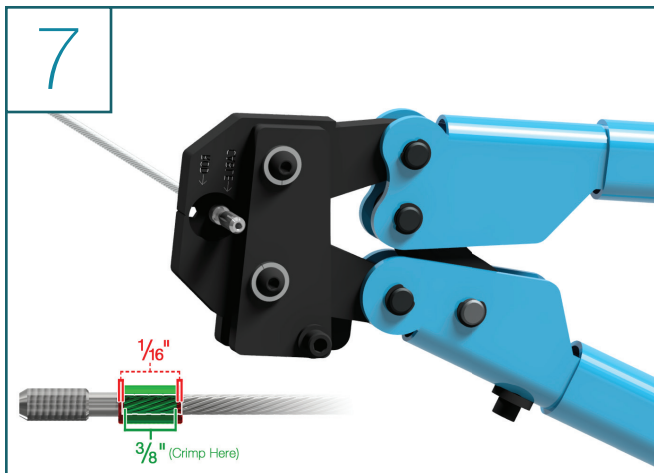
Express Post Installation Steps - Inside Post Mount Kit to Level Tension Kit



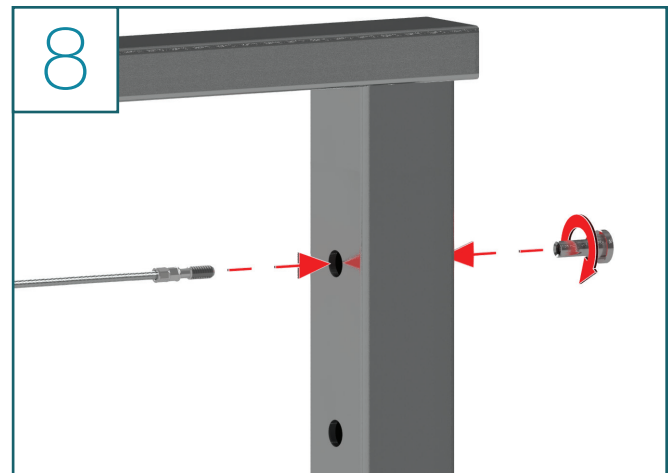
- Use the side cutting tool located below the main crimping head to cut your cable
- Slide the cable through the cable cutter and cut the cable 3" - 4" extra past the outside edge of the post



- Remove the cable from the post
- Add and mark 1/2" past the painter's tape
- Cut the cable on this mark

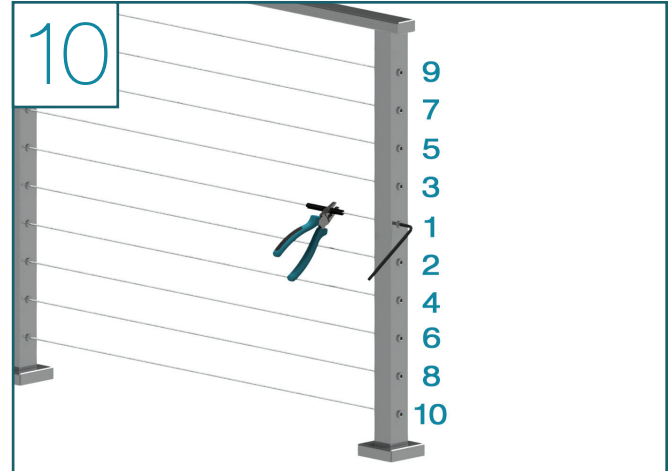
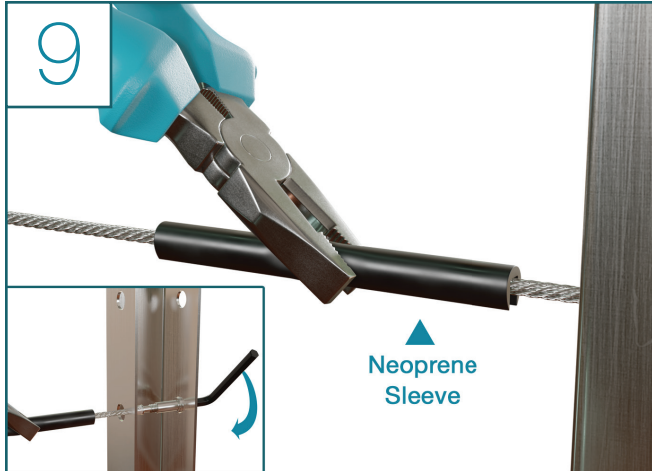


- Crimp a Threaded Crimp fitting onto the second end of the cable
- Crimp the Threaded Crimp Fitting then turn it 90° and crimp it again



- Insert the Threaded Crimp Fitting into the 1/2" hole on the inside face of the post
- Then, insert the Tension Receiver into the 1/2" hole on the outside face of the post
- Meet both in the middle of the post and thread the Tension Receiver onto the Crimp Fitting four full turns

## Express Post Installation Steps - Inside Post Mount Kit to Level Tension Kit



- Slide the protective Neoprene Sleeve onto the cable near the post you are working on
- Firmly grasp the sleeve with pliers and use the supplied  $\frac{5}{32}$ " Allen wrench to tighten the Tension Receiver only snug enough to hold in place

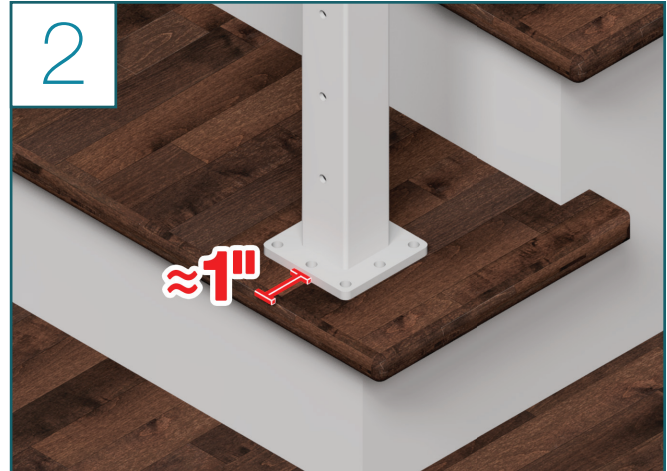
- After all the cable runs are done use the Allen wrench to tighten the Level Tension Kit side of the cable run in sequence
- Holding the cable with the pliers & neoprene sleeve, tighten until the cable is taut and then turn the Tension Receiver another half turn

***\*Before tensioning any cable infill, please ensure all posts and handrail are fully installed***

## Congratulations! You're done with this section.

We'd love to see your work! Snap a few pics with your phone and send them to [pictures@viewrail.com](mailto:pictures@viewrail.com). Thanks for choosing Viewrail. Enjoy your new installation!

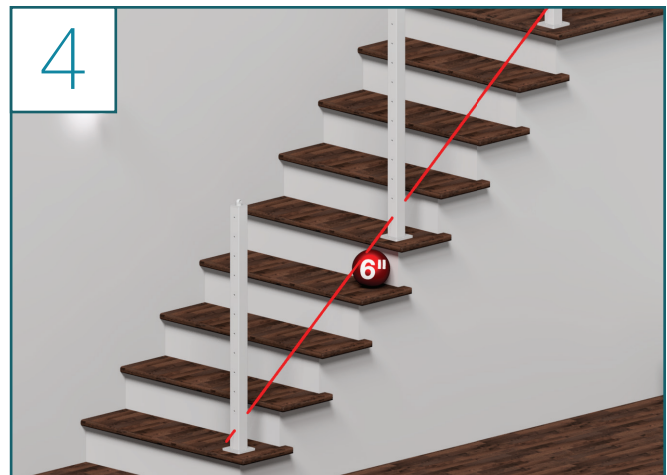
# Angle Express Post Installation



- When mounting your level posts it is important to make sure your posts are:
  - Mounting over 4" of solid blocking
  - In line with each other
  - Square to each other

- Place each post toward the front edge of your tread, staying behind the nosing on the tread far enough so the cable does not hit the tread (typically about an inch)
- Ensure that the pre-drilled holes in your angled posts are pointed toward the top of your stairs

*Note: The lower of the offset holes should be pointing downwards towards the bottom of the stairs.*

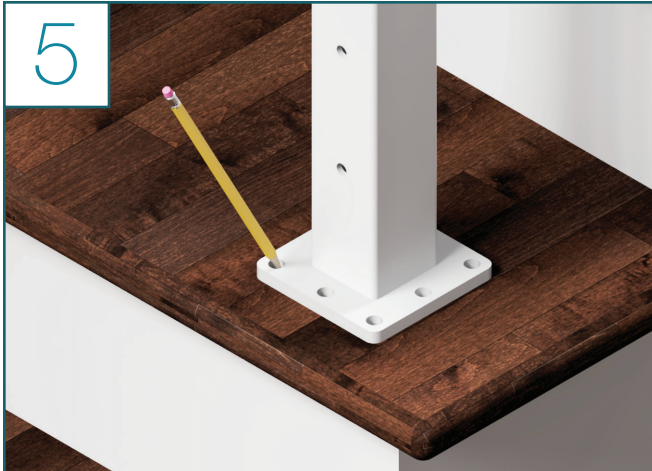


- Use a speed square to set each post equally off the front of the tread
- If applicable, use the speed square to set each post equally off the side of the tread
- These two steps should ensure your posts are in line and square.

- Run a string through the bottom hole of all the posts to ensure that the lowest cable in your run will not run into your tread nosing



## Angle Express Post Installation Steps (Continued)



- When satisfied, use a pencil or pen to mark each mounting hole in each post foot plate
- Set posts aside

*Note: Make sure to use at least one hole per side of the post. For example, use all four middle holes, or, all four corner holes.*



- Use a  $\frac{3}{16}$ " drill bit to pre-drill the post mounting holes to an approximate depth of  $3\frac{1}{2}$ "



- Replace the post over your mounting holes
- Use the T-30 bit and populate your pre-drilled holes with the provided washers and screws

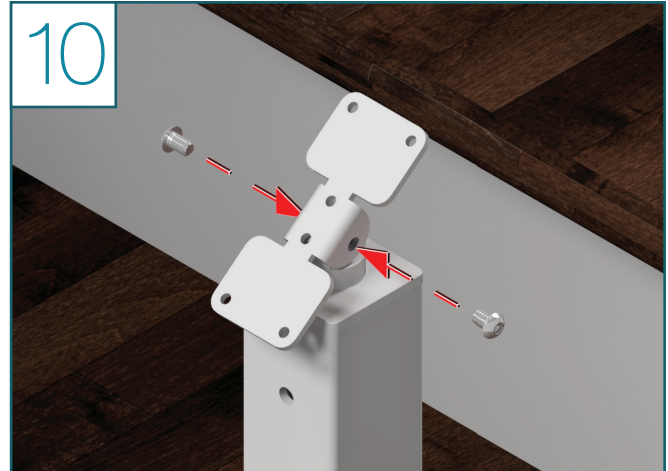


- Using the provided post level, ensure that your post is level
- If the post is not level, back out the mounting screws slightly, apply shims as needed, and fasten the screws

### Angle Express Post Installation Steps (Continued)



- Slide the foot cover over the top of the post foot
- Repeat steps 6-9 until all posts have been mounted

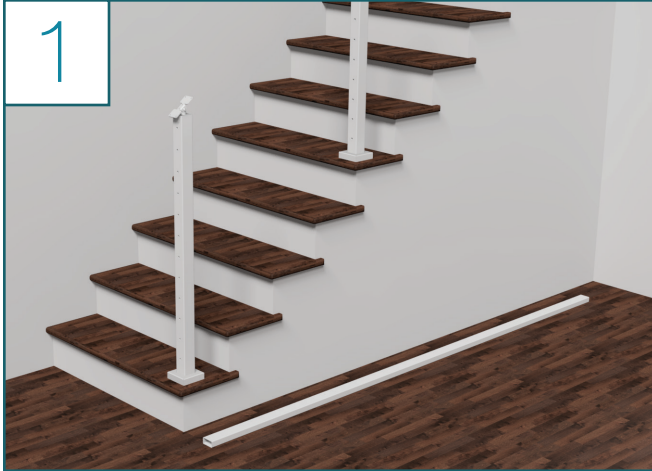


- Position the handrail bracket on the top of the dome and insert a hex screw into each side of the bracket
- Use the hex screws to secure the handrail bracket at the appropriate angle.

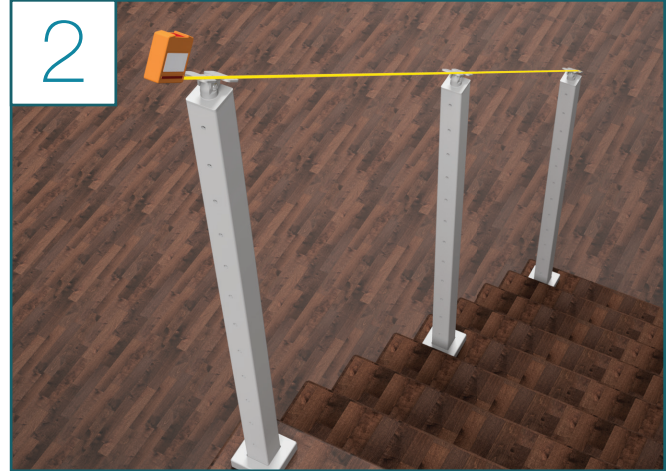
## Congratulations! You're done with this section.

We'd love to see your work! Snap a few pics with your phone and send them to [pictures@viewrail.com](mailto:pictures@viewrail.com). Thanks for choosing Viewrail. Enjoy your new installation!

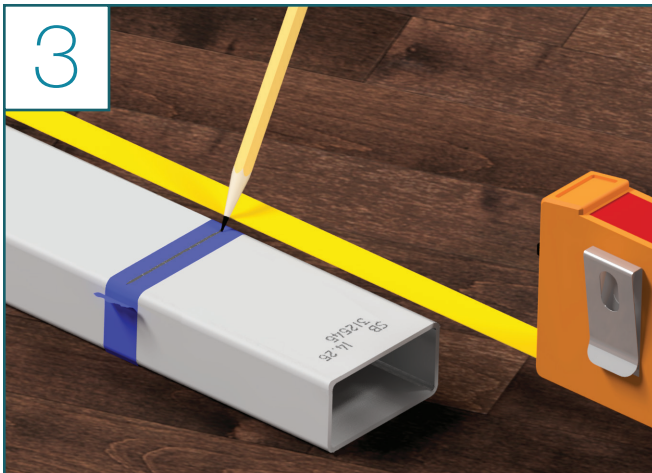
# Angle Handrail Installation



- Before mounting any handrail, lay out your handrail for each run and make sure you have correct lengths

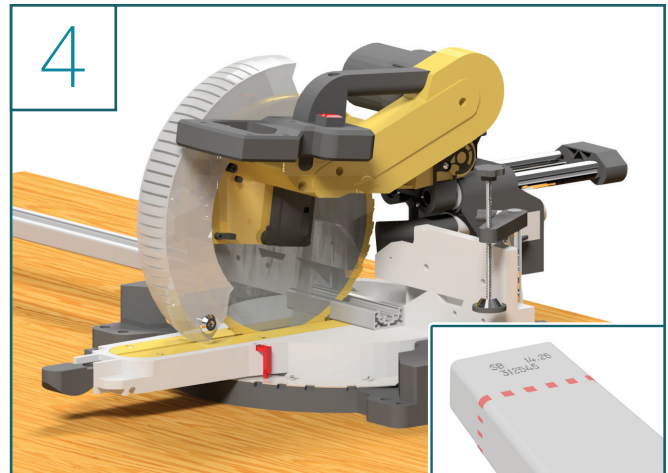


- Measure the length of your run, or however far you would like the handrail to extend past each bracket



- Place painters tape on the area of the handrail you will be cutting, and mark where you will cut the handrail on the tape

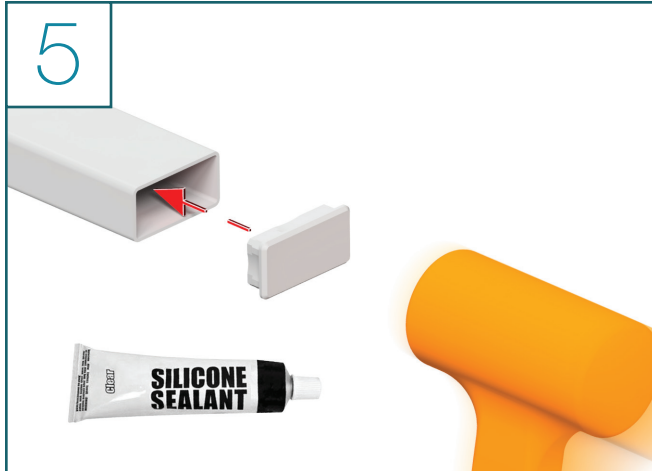
*Note: Make sure to locate the production marks on one end of each handrail. It will be important to remove that end of each handrail when cutting them to length.*



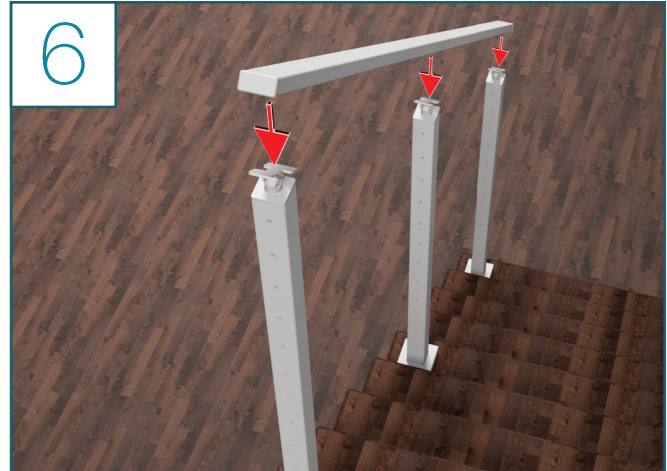
- Use a chop saw to cut the handrail at the mark you made
- Make sure you are using a blade rated to cut your material
- Remove the tape from the end of your handrail

*Note: Make sure to locate the production marks on one end of each handrail. It will be important to remove that end of each handrail when cutting them to length.*

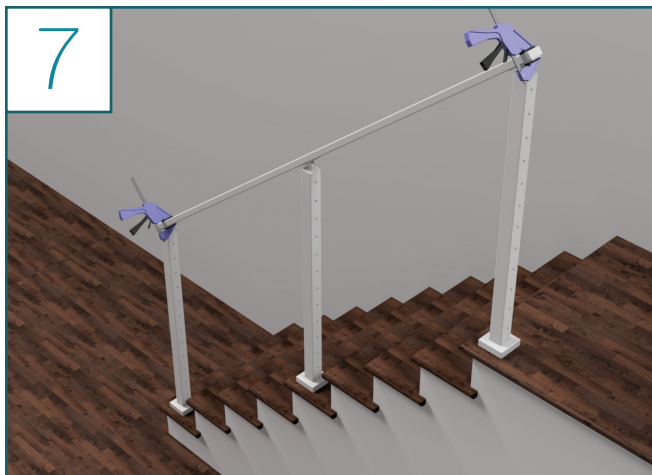
### Angle Handrail Installation Steps (Continued)



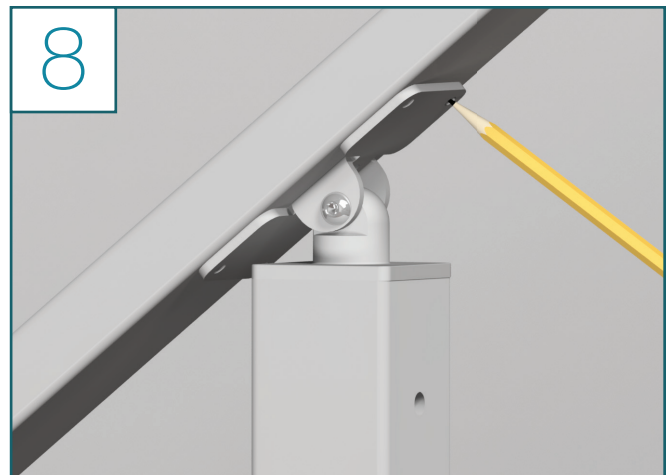
- If you have a metal handrail, place the end cap over the open end of the handrail and gently tap it into place using a dead blow hammer or rubber mallet
- You can use silicon or a similar adhesive if desired



- Center the handrail on top of the handrail brackets



- Clamp the handrail to the first and last handrail brackets in a run
- On angled runs, it will be necessary to clamp the lowest side of the bracket
- Make sure the clamp has rubber padding. This will keep the handrail in place while you drill into the handrail

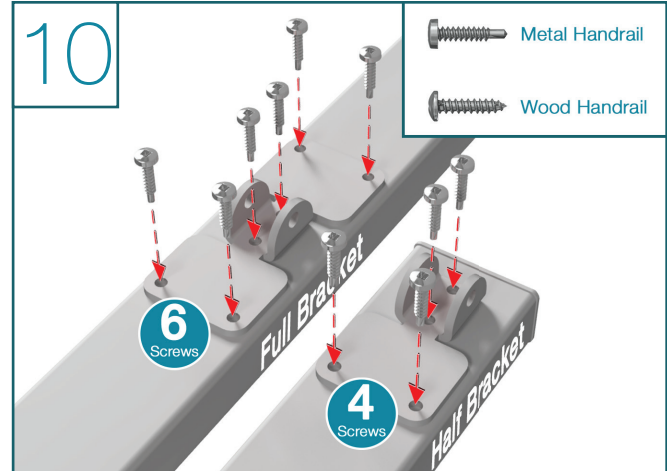


- Using a pencil, mark the bracket outline or the all of the pilot holes for the handrail screws
- Once finished marking the inside posts, move the clamps from the outside posts to the inside posts
- Repeat this process on the outside posts

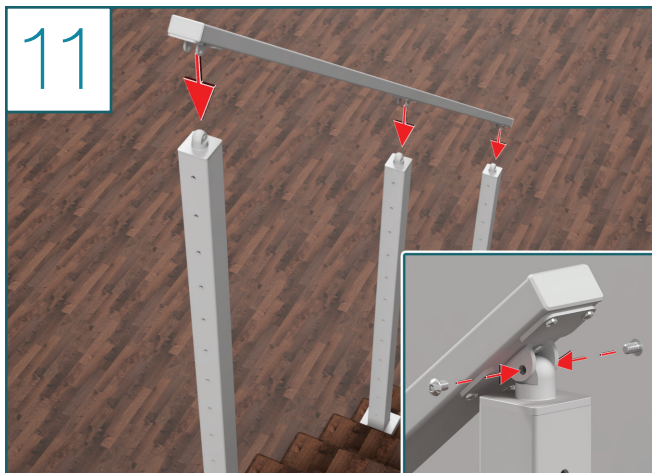
### Angle Handrail Installation Steps (Continued)



- Remove the clamps and the handrail
- Set the handrail upside down on a protected surface
- Remove the dome screw and then the bracket top and place them on the upside down handrail so that they line up with the marks made in the previous step
- Pre-drill and populate the holes of the clamped brackets using a  $\frac{9}{64}$ " or #29 drill bit and the provided mounting screws



- Attach the handrail brackets to the handrail with the provided screws
- Full Brackets: Populate all 6 holes
- Half Brackets: Populate all 4 holes



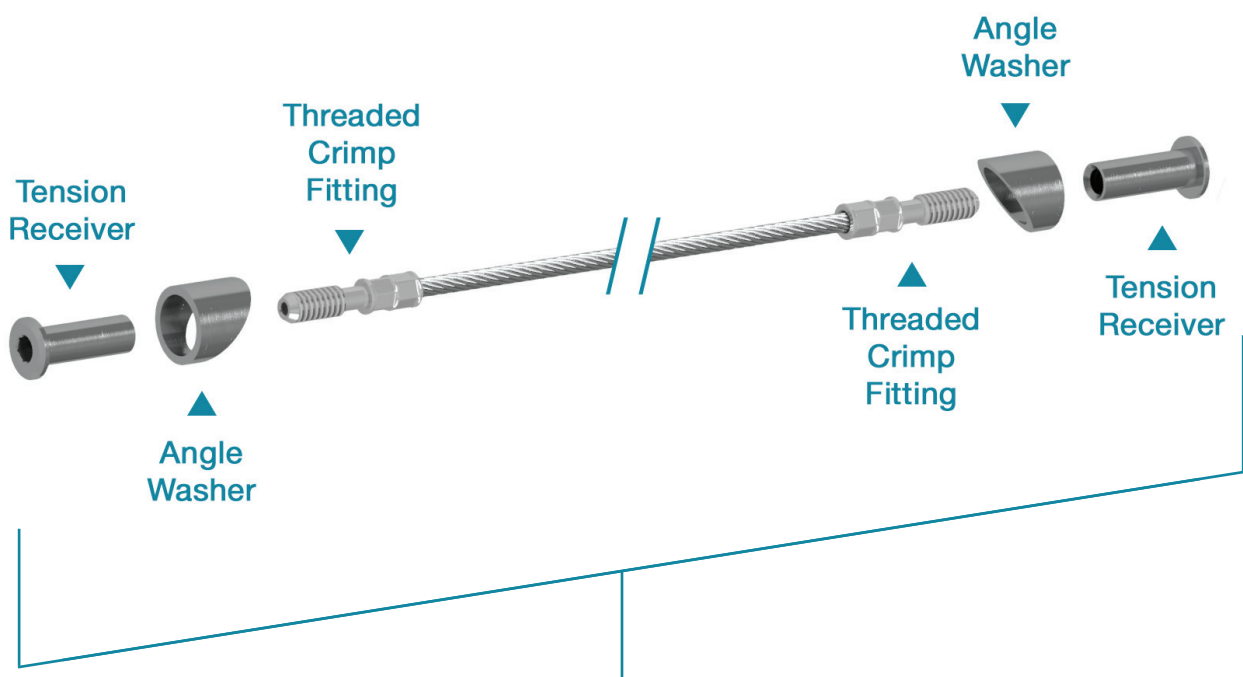
- Picking up the entire assembly, set it in place over the posts and reattach the handrail bracket to the top of each post
- Your handrail should now be installed

Congratulations!  
You're done with this section.

We'd love to see your work! Snap a few pics with your phone and send them to [pictures@viewrail.com](mailto:pictures@viewrail.com).  
Thanks for choosing Viewrail. Enjoy your new installation!

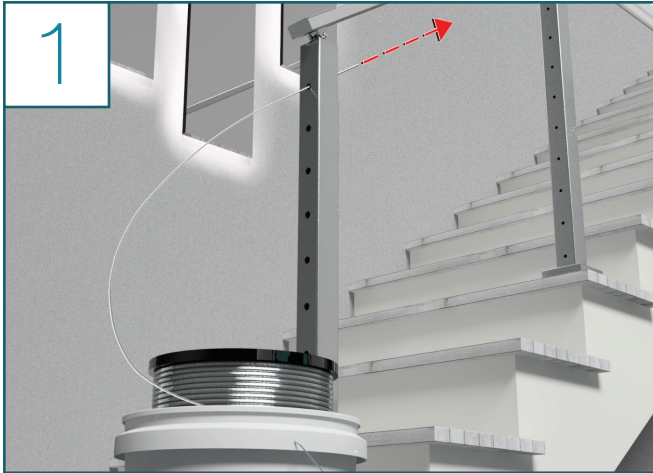
# Express Post - Cable Infill Installation Guide

## Angle Tension Kit to Angle Tension Kit

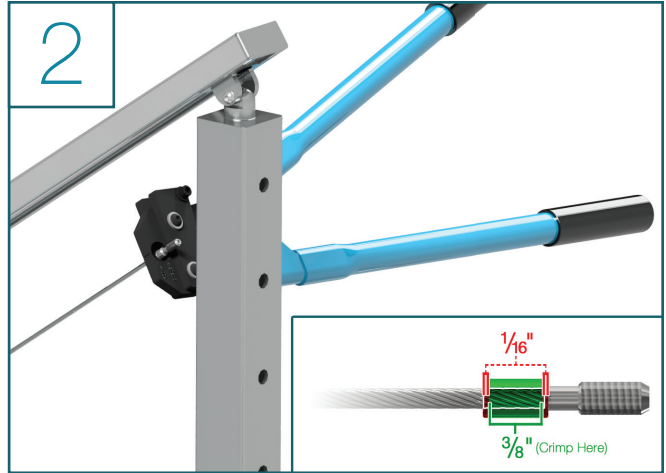


Angle Tension Receiver

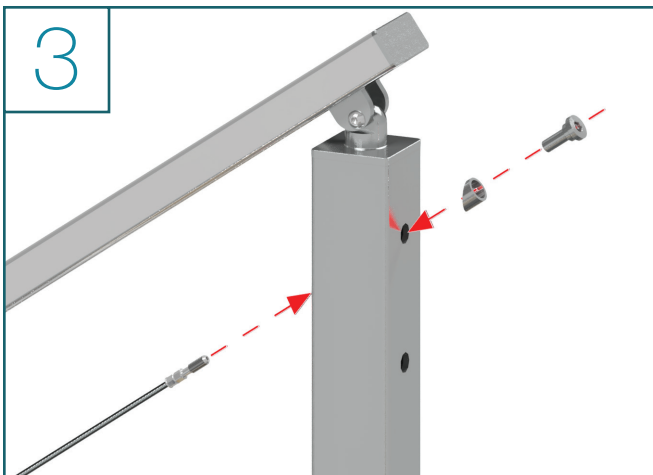
### Express Post Installation Steps - Angle Tension Kit to Angle Tension Kit



- Take the loose end of your cable spool and slide the cable through the posts on the run you are working on
- It is typically easiest to run the cable up through the bottom post towards the top post



- Once the cable passes through the final post on the run, crimp a Threaded Crimp Fitting onto the end of the cable
- Crimp the Threaded Crimp Fitting then turn it 90° and crimp it again

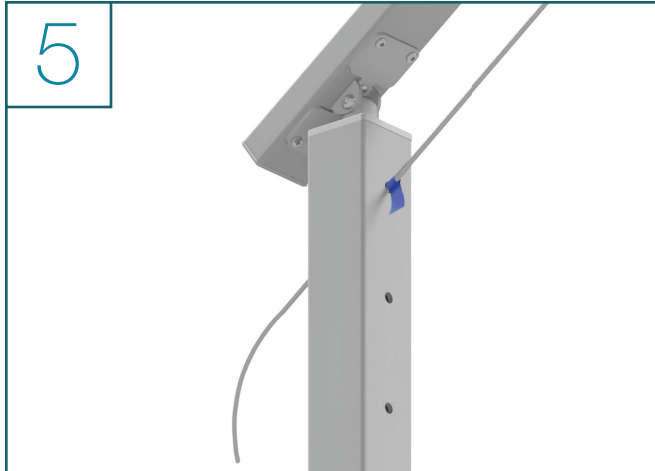


- Slide a Angle Washer over the Threaded Crimp Fitting
- Thread a Tension Receiver onto the Threaded Crimp fitting four full turns

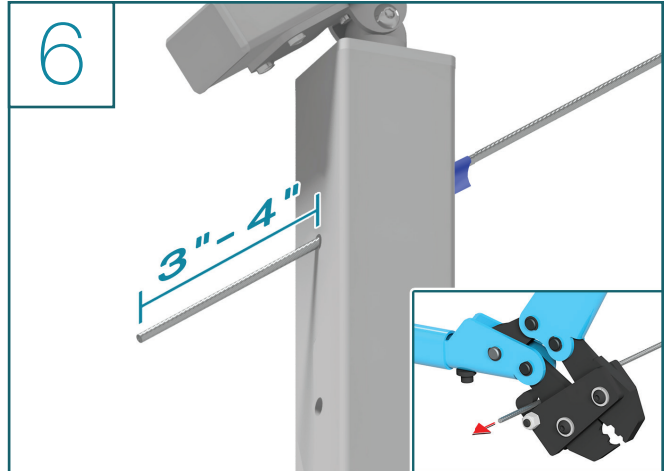


- Pull the cable back against the post so the Tension Receiver is pulled into the Angle Washer
- Ensure the Angle washer rests flush against the side of the post

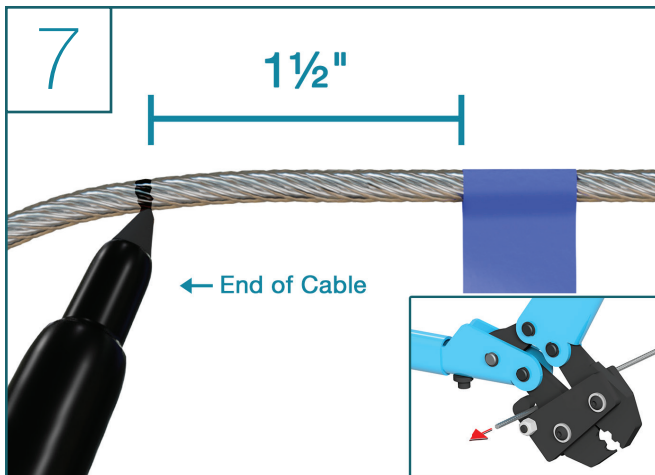
Express Post Installation Steps - Angle Tension Kit to Angle Tension Kit



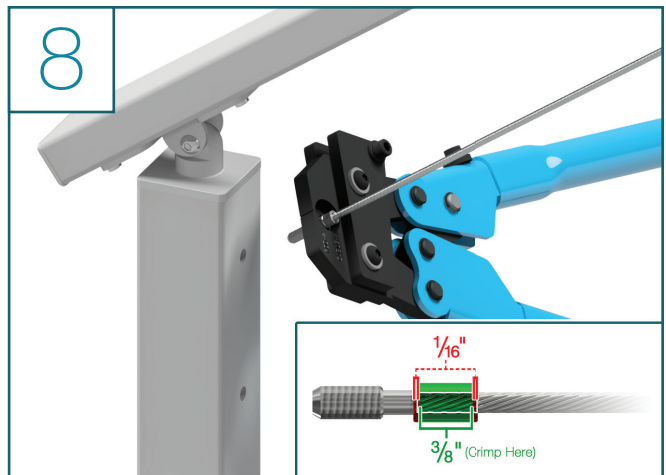
- Return to the other end of the run where the Angle Tension Kit will be installed nearest the spool, and pull the cable tight for the full run
- Place painter's tape on the cable where the cable meets the inside edge of the post



- Use the side cutting tool located below the main crimping head to cut your cable
- Slide the cable through the cable cutter and cut the cable 3" - 4" extra past the outside edge of the post



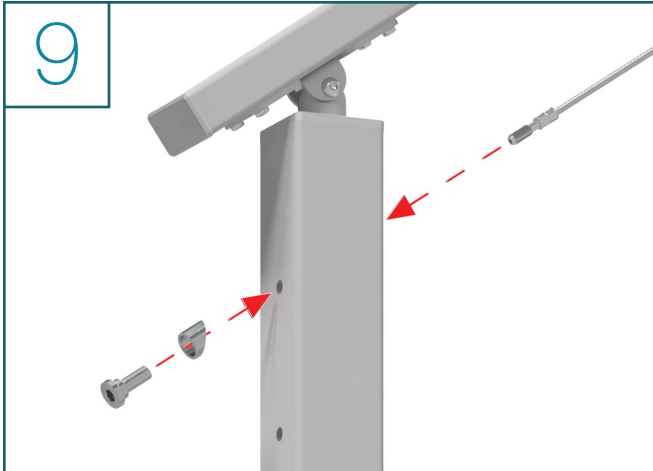
- Remove the cable from the post
- Add and mark 1 1/2" past the painter's tape
- Cut the cable on this mark



- Crimp a Threaded Crimp fitting onto the second end of the cable
- Crimp the Threaded Crimp Fitting then turn it 90° and crimp it again



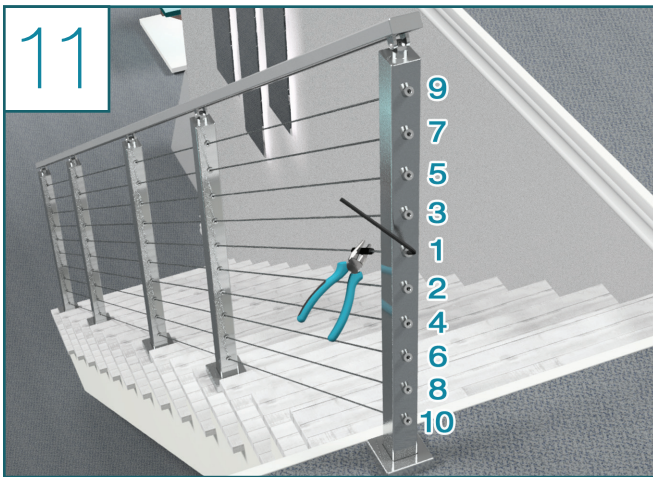
### Express Post Installation Steps - Angle Tension Kit to Angle Tension Kit



- Insert the Threaded Crimp Fitting into the hole on the inside face of the post
- Then, insert the Tension Receiver through the Angle Washer and then into the hole on the outside face of the post
- Meet both in the middle of the post and thread the Tension Receiver onto the Crimp Fitting four full turns



- Slide the protective Neoprene Sleeve onto the cable near the post you are working on
- Firmly grasp the sleeve with pliers and use the supplied 5/32" Allen wrench to tighten the Tension Receiver only snug enough to hold in place



- After all the cable runs are done use the Allen wrench to tighten the remaining side of the cable run in sequence
- Holding the cable with the pliers & neoprene sleeve, tighten until the cable is taut and then turn the Tension Receiver another half turn

***\*Before tensioning any cable infill, please ensure all posts and handrail are fully installed***

## Congratulations! You're done with this section.

We'd love to see your work! Snap a few pics with your phone and send them to [pictures@viewrail.com](mailto:pictures@viewrail.com). Thanks for choosing Viewrail. Enjoy your new installation!