



# Post Mount Handrail Bracket Installation Guide

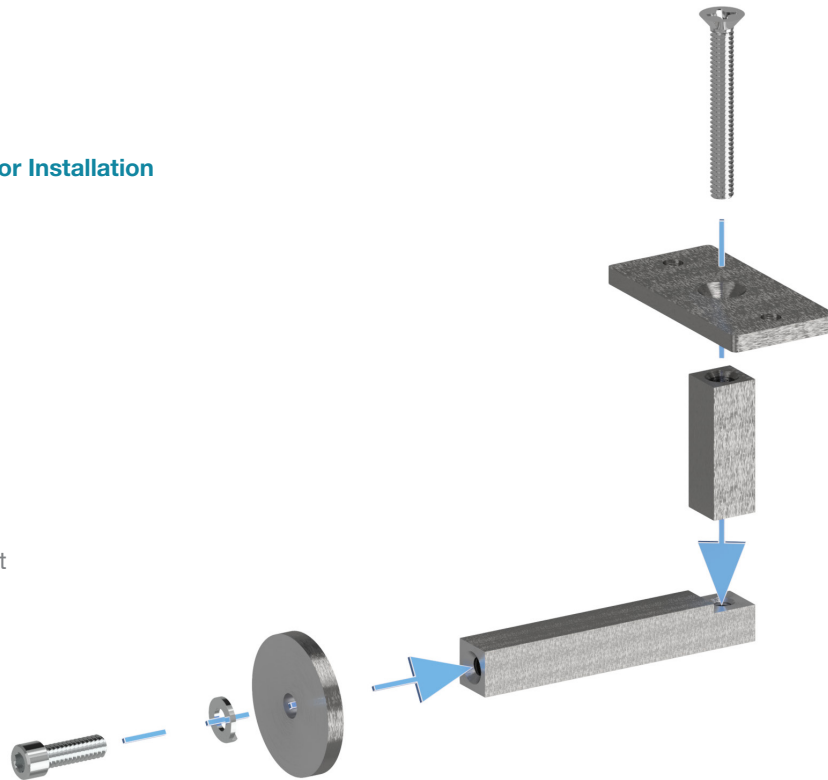
Look for this sticker on hardware bags

HANDRAIL



## Tools and Supplies Needed for Installation

- Pencil
- Tape Measure
- Drill
- 5/16" Metal Drill Bit
- 1/2" Metal Drill Bit
- 3/16" Allen wrench
- Painter's Tape
- Dead Blow Hammer
- Phillips/Square Head Drill Bit



## Things to Know Before You Get Started

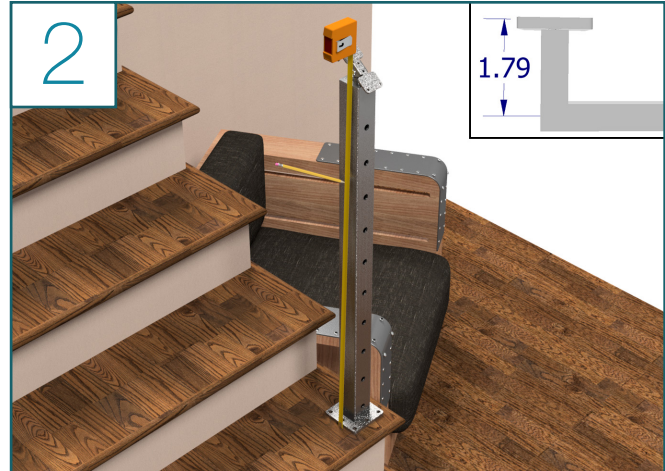
- Read over the provided material prior to the start of your installation



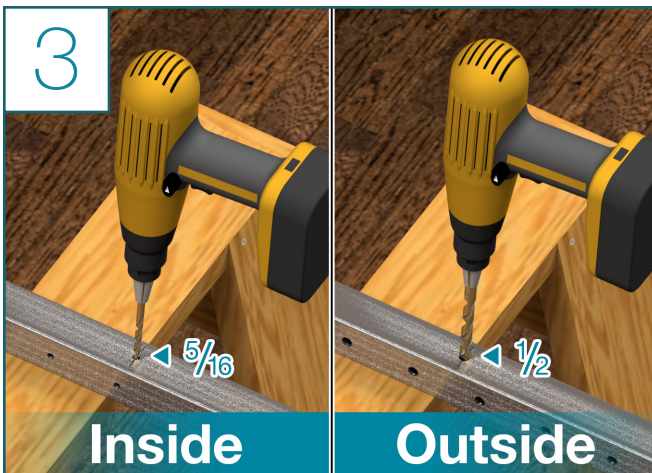
## Grab Rail Bracket Installation Steps



- Set your relevant stair posts in place. Use a string to make sure the tops of our posts line up
- Using a pencil, mark all the post mounting hole locations



- Making sure your posts are still in place, measure from the tread surface to determine and mark your handrail bracket location on both sides of the post
- Keep in mind, typical stair code requires that the top of your handrail be 36" (between 34" and 38")
- The height from the center of the drilled hole location to the top of the bracket is just over 1<sup>3</sup>/<sub>4</sub>"

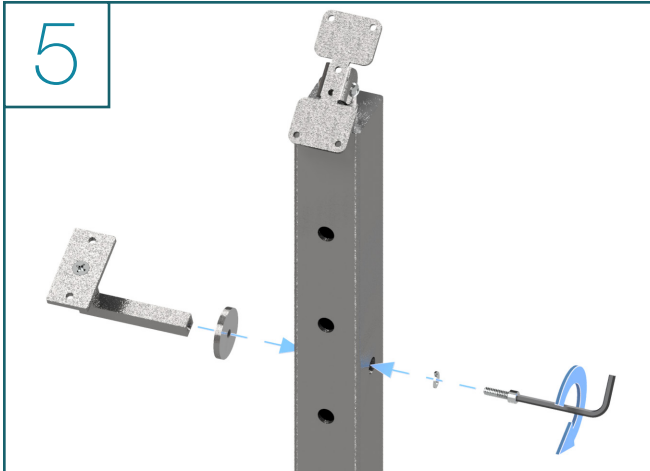


- Remove your post and drill the inside face of the post (facing where you will be walking).
- Use a 5/16" drill bit
- Drill the outside face of the post with a 1/2" drill bit



- At this point, slide your post foot cover onto the post and tape it into place about halfway up the post. Use a gentle painters tape for this application
- It is important to attach the handrail bracket before the post is mounted in case bracket hardware drops into the post.

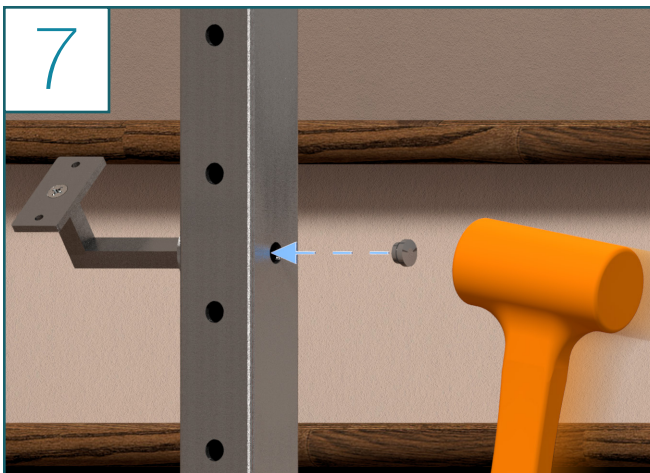
### Grab Rail Bracket Installation Steps (Continued)



- Assemble and begin to mount your handrail bracket
- The bracket will sit against the bracket washer, which is against the  $\frac{5}{16}$ " post hole
- Slide the lock washer onto the  $\frac{1}{4}$ " socket head screw and use the  $\frac{3}{16}$ " Allen wrench to put the screw the  $\frac{1}{2}$ " hole and then through the  $\frac{5}{16}$ " hole and into the bracket



- With your brackets on each post, put the posts back in place in your premarked locations
- Use a string to make sure the post tops and handrail brackets are lined up
- When in place, follow the surface mounting post instructions to mount your posts
- When completed, remove the tape and slide the foot cover into place



- Once firmly mounted, use a dead blow hammer or rubber mallet to hit the steel plug into the  $\frac{1}{2}$ " hole on the outside face of the post
- Begin mounting your handrail

## Congratulations! You're done.

We'd love to see your work! Snap a few pics with your phone and send them to [pictures@viewrail.com](mailto:pictures@viewrail.com). Thanks for choosing Viewrail. Enjoy your new installation!