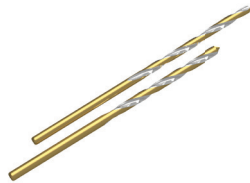


Tools Needed for this Installation



Drill



$\frac{5}{32}$ " & $\frac{11}{64}$ "
Cobalt Metal Drill Bits



Phillips Head Bit



Phillips & Flat Head
Screw Drivers



Hammer or Mallet



Allen Wrench



Rod Anchor Tool



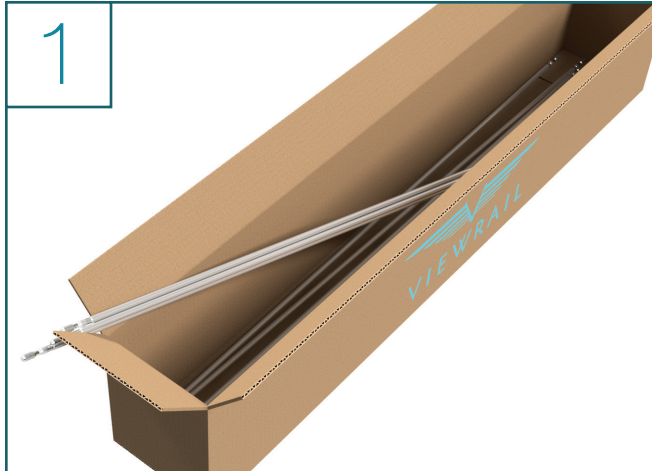
Dremel Tool

Things to Know Before You Get Started

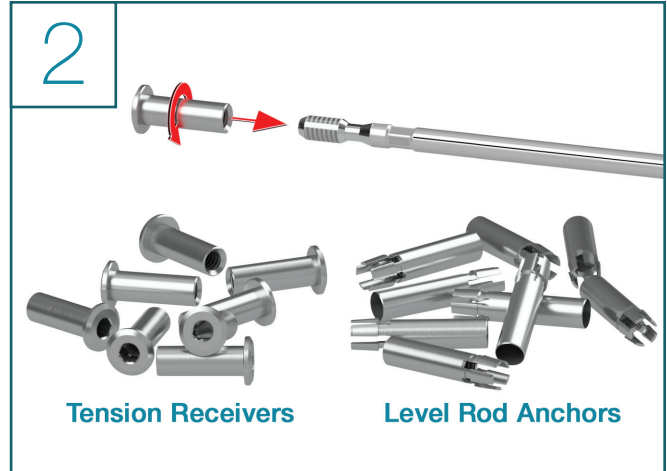
- Read over the provided material prior to the start of your installation
- The gate should come with all the necessary hardware: Hinges, Latches, Screws, Rod Level Tension Kit, Rod Level Anchor Kit, Rod Anchor Tool, & Rods cut to length and pre-crimped
- Before installing your gate hinges, make sure post foot covers are in place



Rod Gate Installation Steps - Installing Rods into the Gate



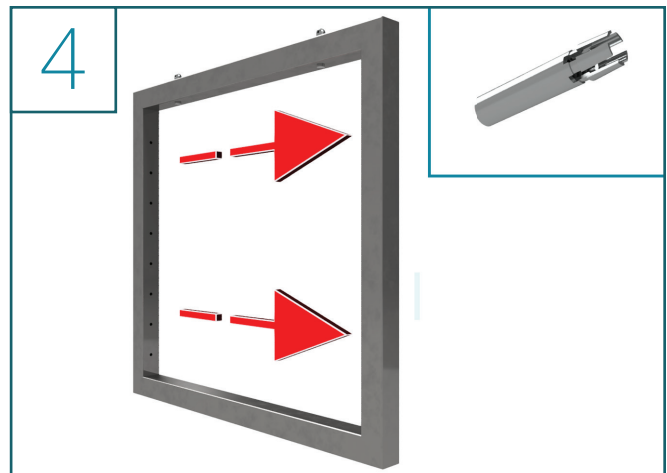
- Open the packing that contains your rods
- These should all be cut to the exact length and have crimped ends
- Check to make sure you have the correct amount



- Open and identify the packages with the Rod Tension Receivers and the Level Rod Anchors
- Take the Rod Tension Receivers and thread them onto one end of each rod a few turns

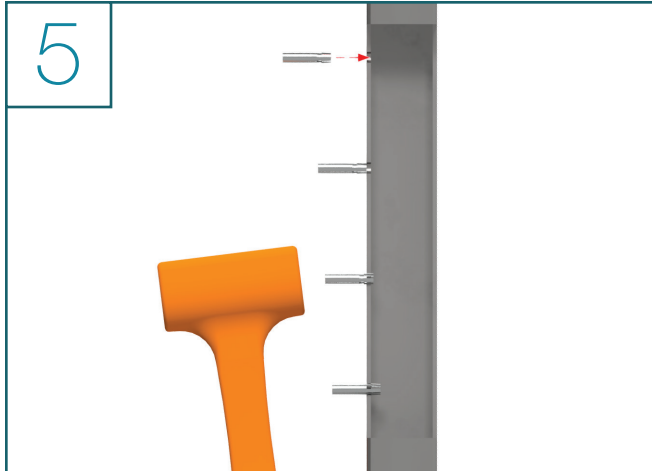


- On the other end, with the remaining crimp fitting, examine the actual crimp location
- The crimping process may have pinched the rod material and formed a ridge
- It is recommended to take a Dremel tool or an angle grinder and smooth down the pinched portion
- This will help this end properly fit into the Level Rod Anchor

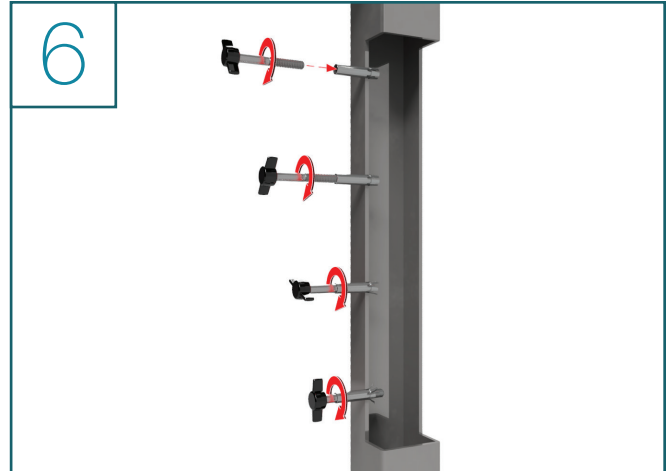


- Identify the end of the gate with holes only on the inside of the upright
- Prepare the Level Rod Anchors for installation
- If the ends are flared out, gently press them in until they are almost touching

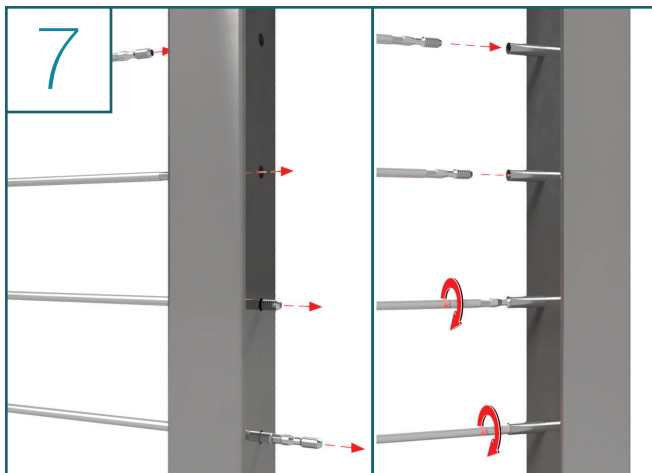
Rod Gate Installation Steps - Installing Rods into the Gate (Continued)



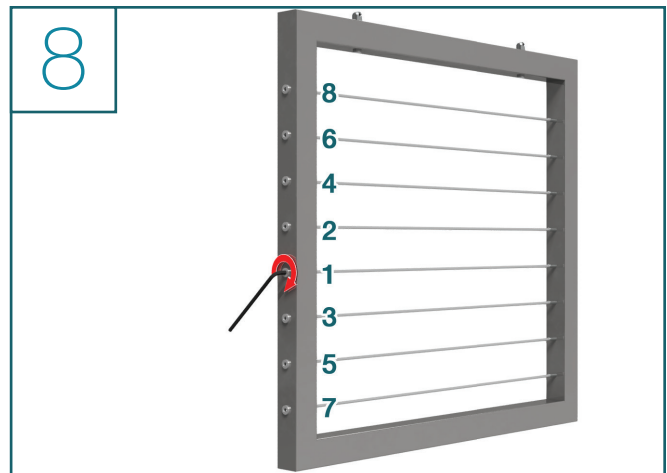
- Taking the flanged end, seat it against the hole
- Hold the Level Anchor fitting near the post and gently tap the exposed end until all the flanges are inside the hole
- You should be able to wiggle the anchor slightly if all the flanges are inside
- Be sure to hold the fitting during this process, as hitting it too hard may hit the fitting completely inside the gate and the fitting will be lost



- Take the Level Anchor Tool and fully thread it into the Level Anchor Fitting until all the threading is gone
- This will expand the flanges inside the post and keep the fitting from being pulled out
- It is necessary to hold the fitting during the process to keep the fitting from spinning with the tool and to keep the fitting from disappearing inside the gate



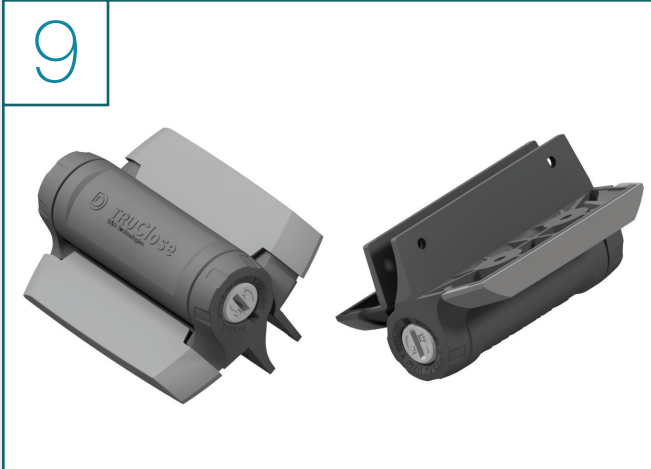
- When the anchors are in place, slide the rod through the end of the gate with two holes on each side of the upright
- Thread the remaining end with the crimp fitting into the Level Anchor Fitting until it is fully seated
- The crimped location should be completely hidden



- Using the Allen wrench, begin tightening the Tension Receiver in sequence until each run is tight

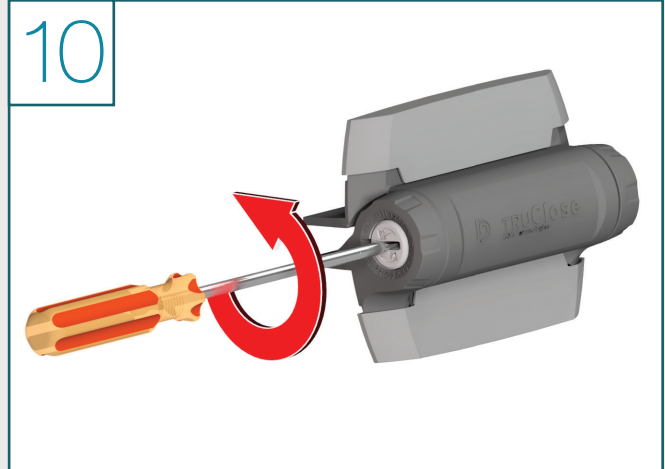
Rod Gate Installation Steps - Installing Hinges onto the Gate

9



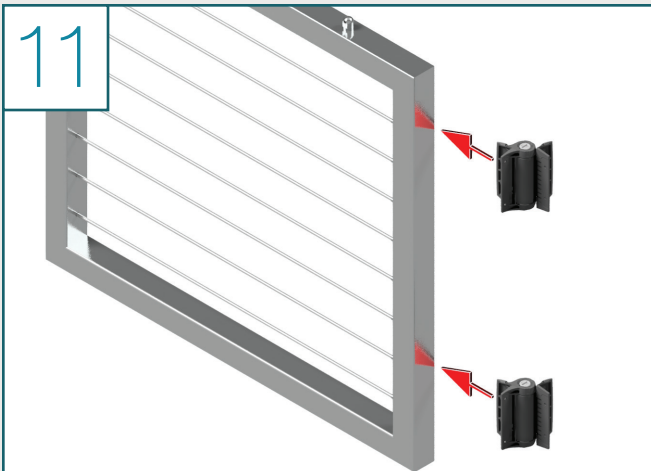
- Identify and prep your hinge hardware

10



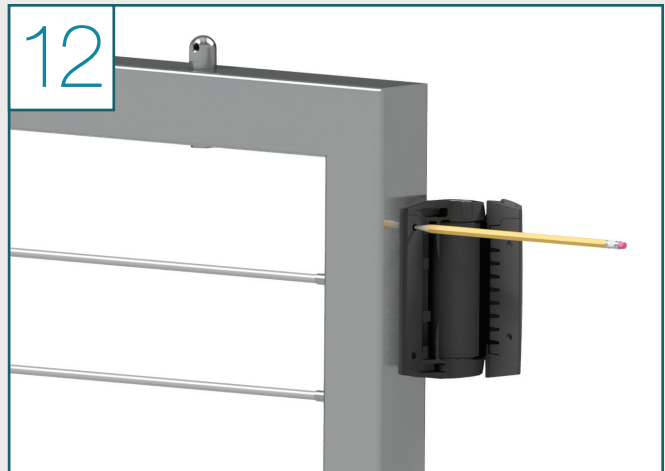
- Using a flat head screwdriver, depress and turn the hinge tensing knob at the top of the hinge counterclockwise
- This will loosen the hinge and allow you access to the fastening points

11



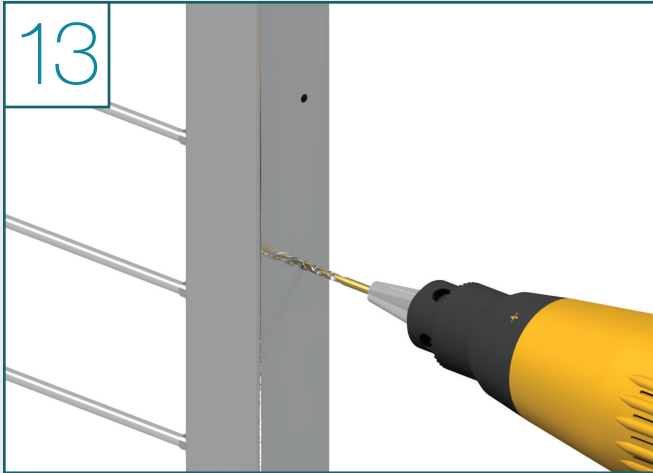
- The hinge should attach to the side of the gate where the level Rod Anchors are located, and the post has 3 smooth sides
- Space the hinges depending on your preference

12

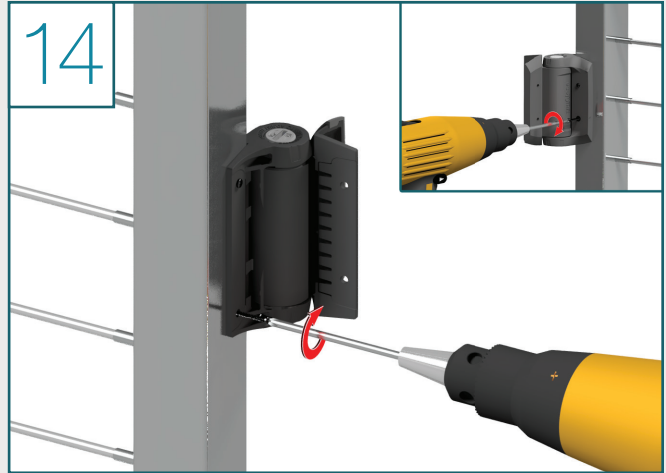


- Set the hinge with the opening and closing orientation of the gate in mind
- When in place, use a pencil to mark the 4 hole locations on each hinge

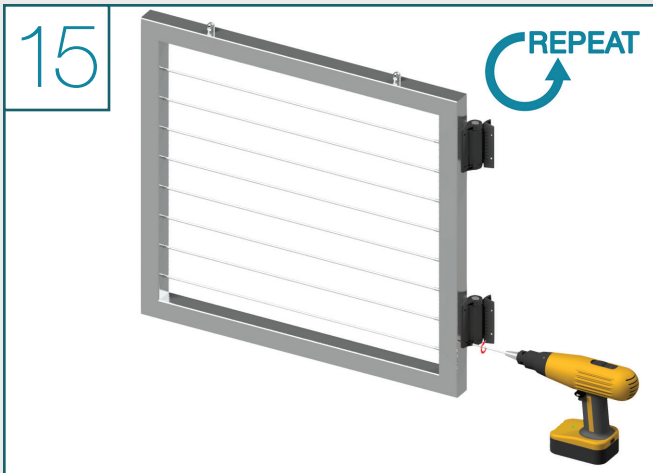
Rod Gate Installation Steps - Installing Hinges onto the Gate (Continued)



- Drill each hole with a $1\frac{1}{64}$ " bit



- Using a Phillips head bit, attach the 12g hinge screws

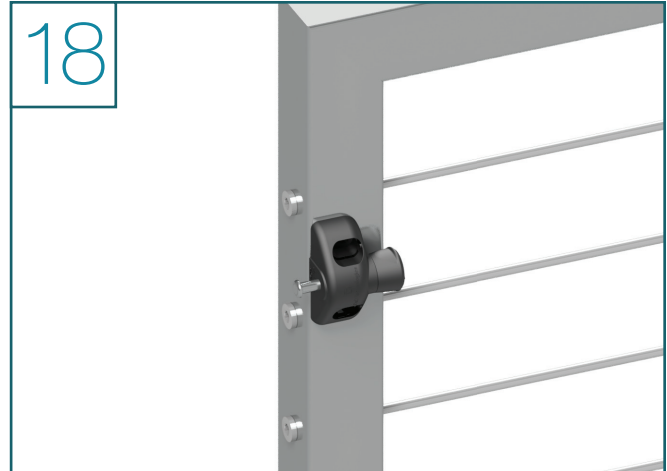


- Repeat Steps 10-14 for the other hinge

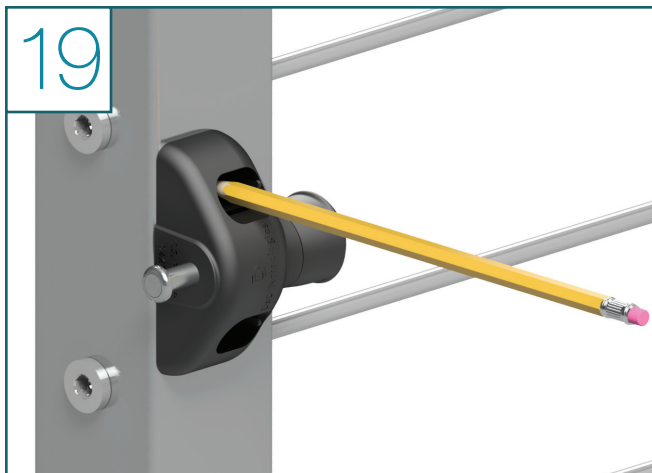
Rod Gate Installation Steps - Installing Latch to Gate



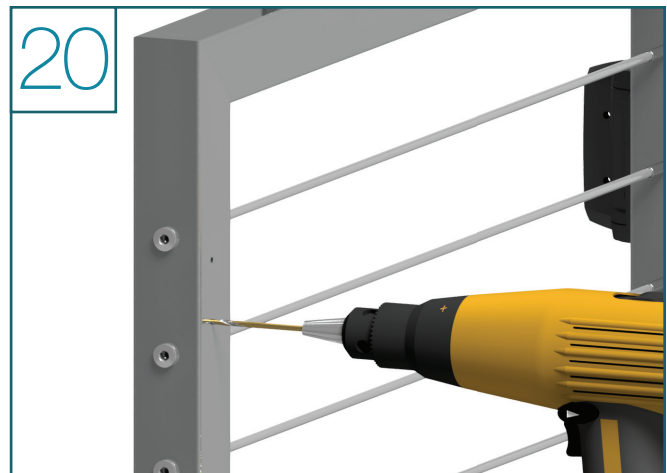
- Identify and prep the two halves of the gate latch
- These parts should have the smaller 10g screws



- As long as you have clearance, either half of the latch can attach to the gate
- Take the piece of the latch you would like to attach to the gate and dry fit it into position
- There is no wrong spot for this latch and its position depends on your preference



- Using a pencil, mark the mounting hole locations for that latch



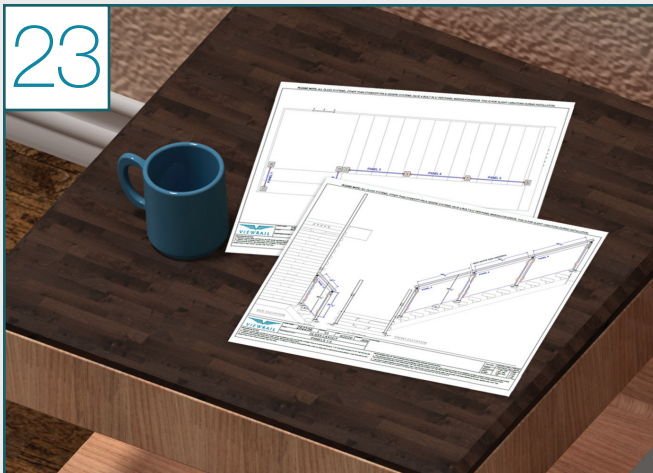
- Using a $\frac{5}{32}$ " drill bit, drill your marked locations

Rod Gate Installation Steps - Installing Latch to Gate (Continued)

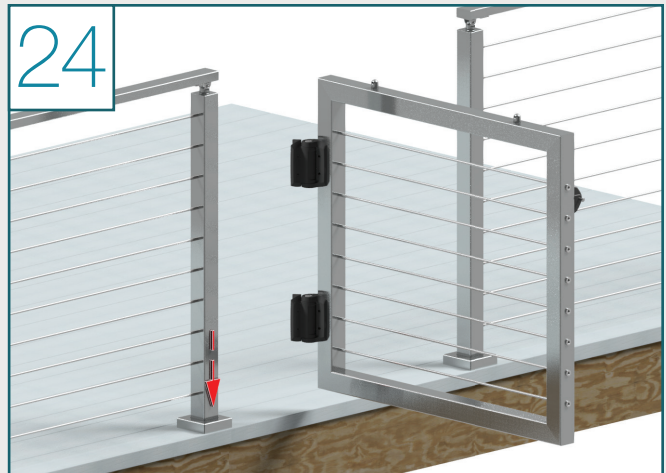


- Place the latch back into place and use the Phillips head to fasten the 10g screws

Rod Gate Installation Steps - Installing Gate to Posts

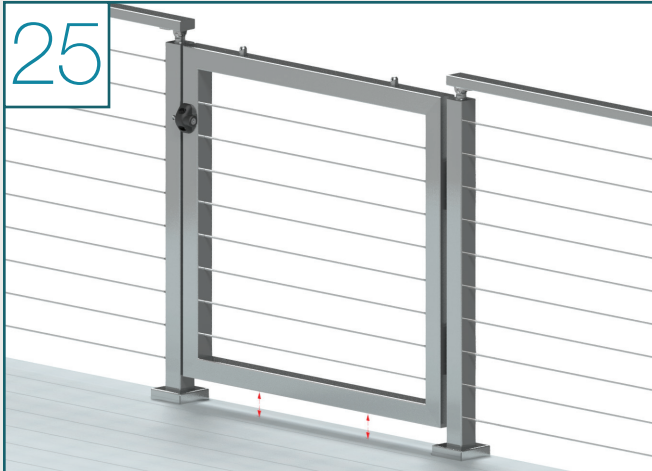


- Refer to your custom gate drawing to identify the post placement for your gate hinge or gate latch post



- Install your posts using the installation guide for the type of post mounting style you have
- It is important to make sure that the Gate Hinge Post is extremely secure, as it will be supporting the weight of the gate

Rod Gate Installation Steps - Installing Gate to Posts (Continued)

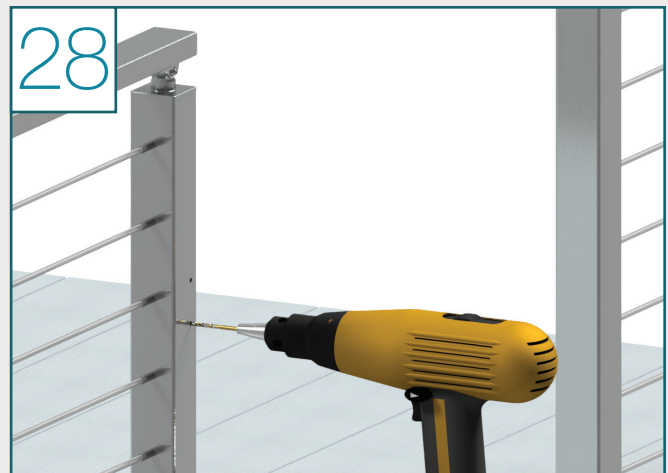
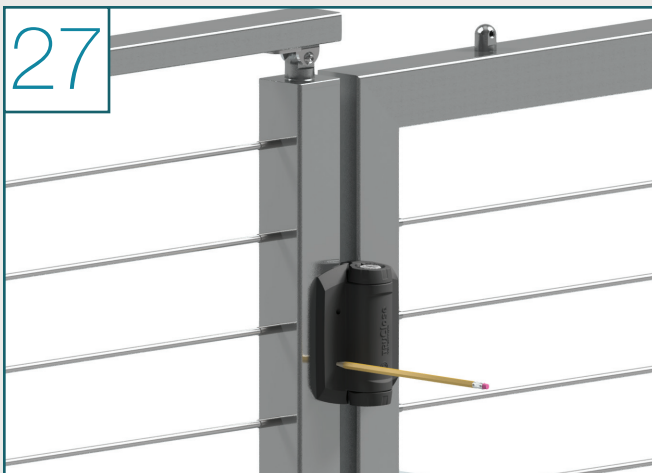


- Referring to your custom gate drawing, do the math of subtracting the system height from the gate height, and this will be the distance from the mounting surface to the bottom of the gate body

- At this point, it will be helpful to build, or find, a support at that height

For example:

If your gate will sit 2½" off the ground, use some wood to create a 2½" support



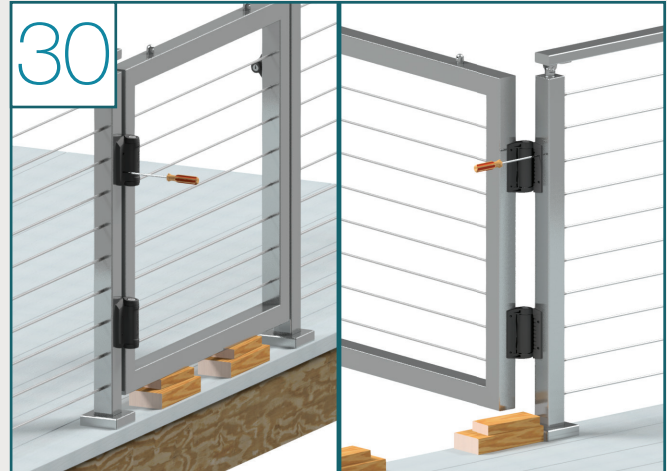
- Setting the supports underneath the gate, move the gate into position so the other half of the gate hinges fit snugly against your Gate Hinge Post
- Using a pencil, mark the mounting locations for hinge on your Gate Hinge Post

- Remove the gate after marking the post
- Using the 11/64" drill bit, drill out the marked locations
- During the drilling process, make sure your drill bit is not overheating as too much heat can harden the steel
- Lower drill RPMs often present better results
- Use Cutting Fluid, or at minimum WD-40, to keep the bit and drilling location lubricated

Rod Gate Installation Steps - Installing Gate to Posts (Continued)

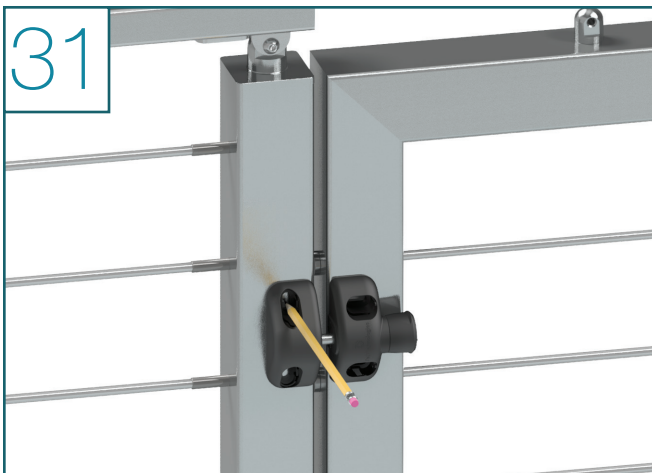


- When your drilling is complete, set your gate back into position with the supports

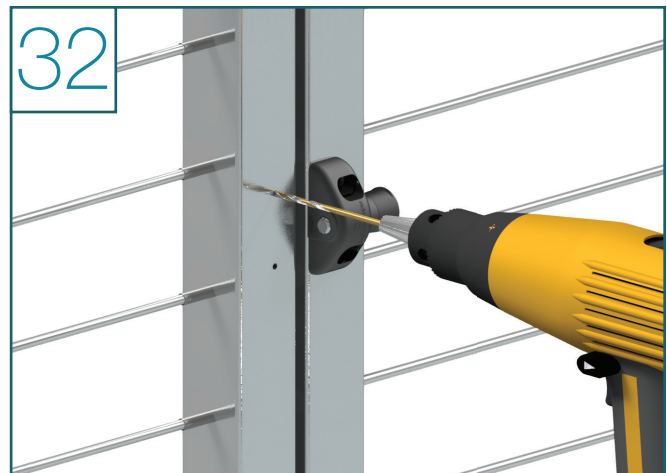


- Make sure the hinges are flush against the post and use a Phillips Head screw driver or bit to fasten the 12g hinge screws through the hinge and into the post
- It is recommended to have at least 3 screws into the Gate Hinge Post per hinge
- Ensure your hinge connections are tight and remove the blocking

Rod Gate Installation Steps - Installing Latch to Posts

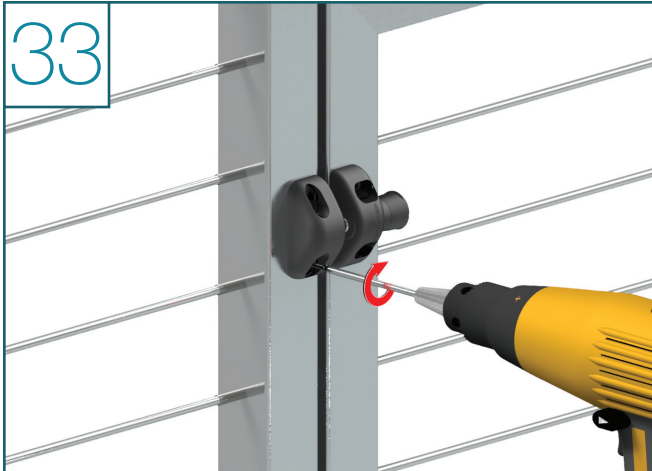


- With your gate in place and the first half of the latch on the gate, you should be able to identify where the second half of the latch will need to be placed on your Latch Post
- Dry fit the 2nd half of the latch & mark the hole location
- During this step, it is helpful to swing the gate open and close to make sure the magnetic lock is activating
- The two halves of the latch must be close enough for the magnet to engage

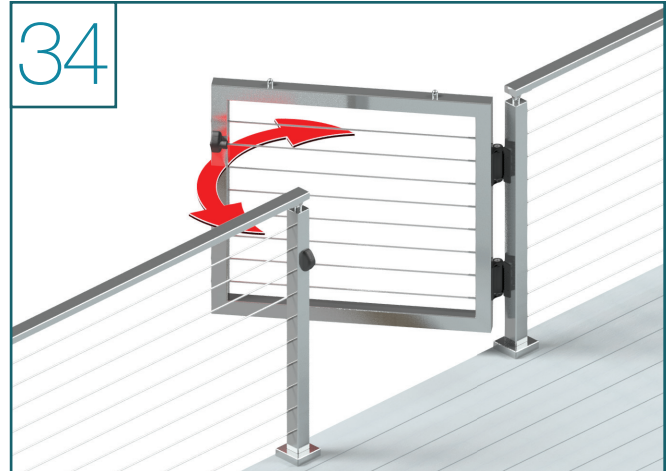


- When the screw location is marked, use the 5/32" drill bit to drill the holes

Rod Gate Installation Steps - Installing Latch to Post (Continued)



- Place the latch back into position and use the Phillips Head screw driver or bit to fasten the 10g screws
- Replace all screw covers on the gate hinges and latch



- Swing the gate to make sure the latch activates

Congratulations! You're done with this section.

We'd love to see your work! Snap a few pics with your phone and send them to pictures@viewrail.com. Thanks for choosing Viewrail. Enjoy your new installation!