



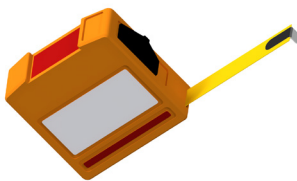
# Quick Slide Level Handrail - Flat Top Installation Guide

Look for this sticker  
on hardware bags

HANDRAIL



## Tools Needed for Installation



Measuring Tape



Miter Saw  
Non-Ferrous Metal Blade



5/32" Allen Wrench



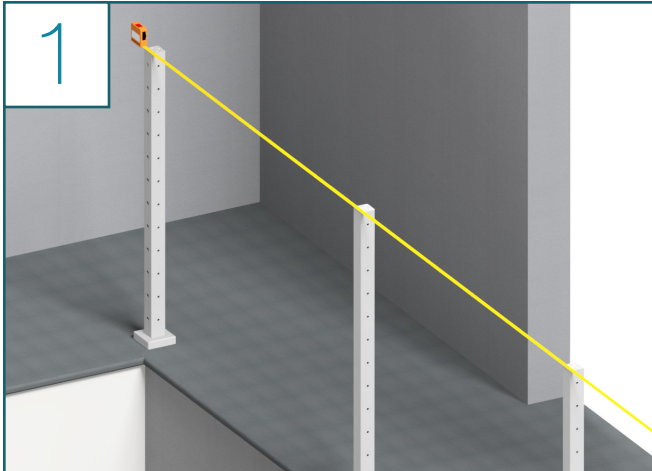
Silicon Sealant  
or Epoxy

## Things to Know Before You Get Started

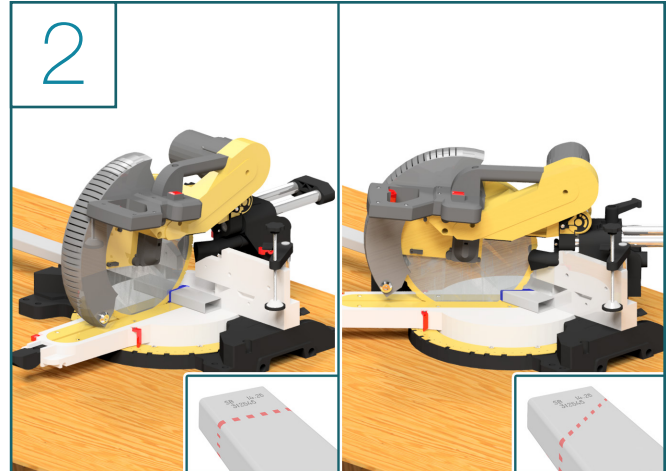
- Read over the provided material prior to the start of your installation
- **For handrail installations including LEDs:**  
Identify and plan for how you would like to run your wire from the box to the LED strip which will be hidden inside of the handrail. This wire can either be run externally to the handrail, or, some customers choose to run the wire up through a post and drill a hole out the top of the post and lead into the handrail. A third option is to utilize handrail returns and run the wire directly from the handrail channel into the wall.



### Quick Slide Level Handrail - Flat Top

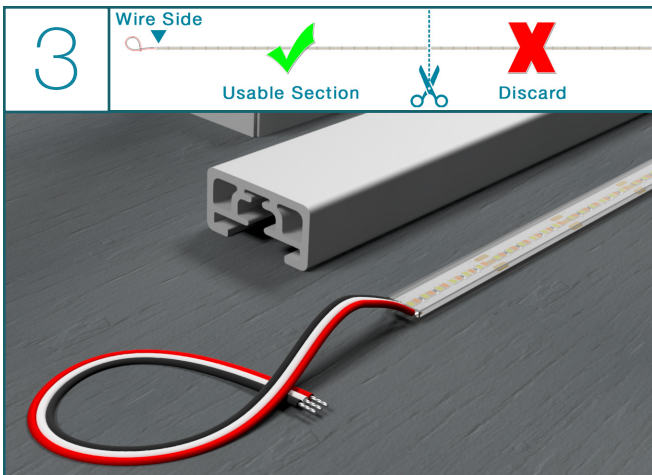


- Measure your run and determine the length needed for your handrail
- The handrail can overhang the end posts if desired
- Handrail junctures over your corner posts will need to be mitered



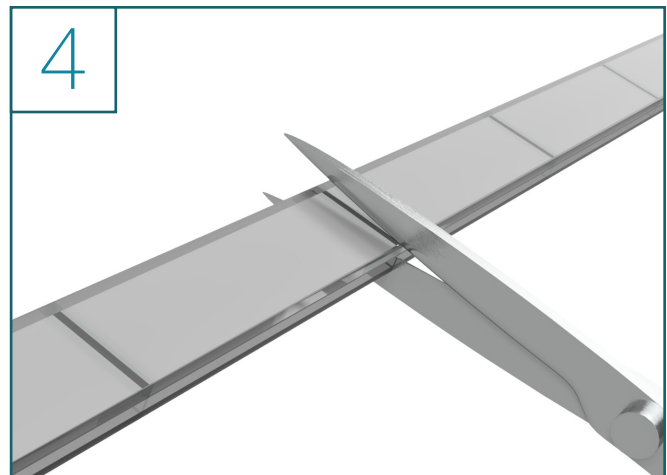
- Mark your handrail & use a miter saw to cut your handrail
- You can use painters tape where you are going to cut to help keep the powder coat intact
- Any miter saw with a good blade or blade rated to cut aluminum will work
- The corner bracket is adjustable to work on most angles

*Note: Make sure to locate the production marks on one end of each handrail. It will be important to remove that end of each handrail when cutting them to length.*



#### THIS STEP IS ONLY FOR HANDRAIL INSTALLATIONS WITH LEDs

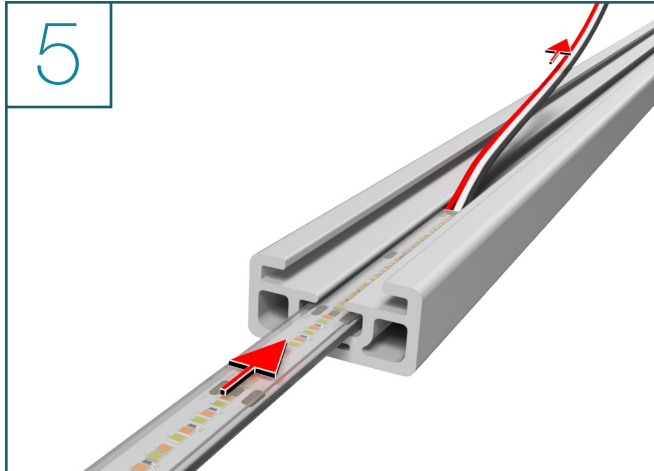
- Utilizing the measurements you took for your handrail, lay out your LED Strips by the corresponding length of handrail
- Make sure to measure from the wire end of the LEDs to the appropriate length and mark on the LED strip
- Once cut, in the following step, the remainder of the LED strip will be discarded



#### THIS STEP IS ONLY FOR HANDRAIL INSTALLATIONS WITH LEDs

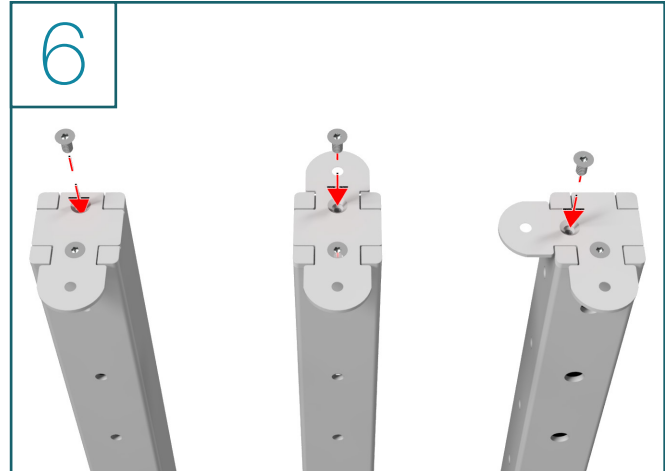
- Cut your LED Strip to the nearest cut point for the length of handrail that you have cut
- The cut points are indicated by black lines on the back
- If your measurement from Step 3 is in between cut lines, then round down to the next cut line
- Seal the cut end with silicone to prevent a short

## Quick Slide Level Handrail - Flat Top (Continued)



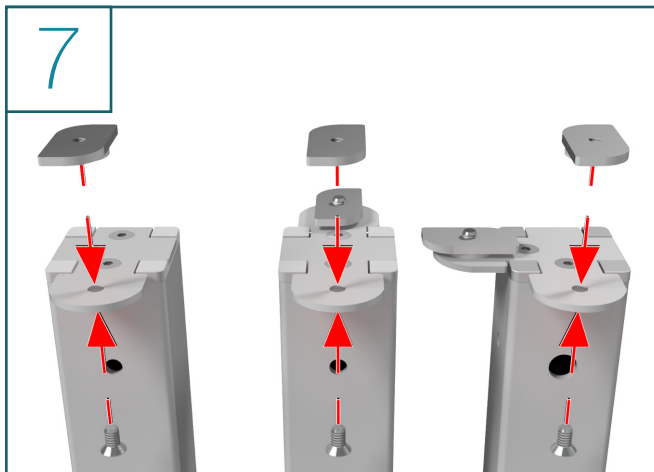
### THIS STEP IS ONLY FOR HANDRAIL INSTALLATIONS WITH LEDs

- After your LED Strips have been cut to length, draw the LED strip through the channel by gently pulling it by the leader wires
- It might be helpful for a partner to gently guide the LED strip in from the opposite side
- After the LED is in place and you are satisfied with its location, use silicone to seal the cut end of the LED strip to prevent moisture intrusion

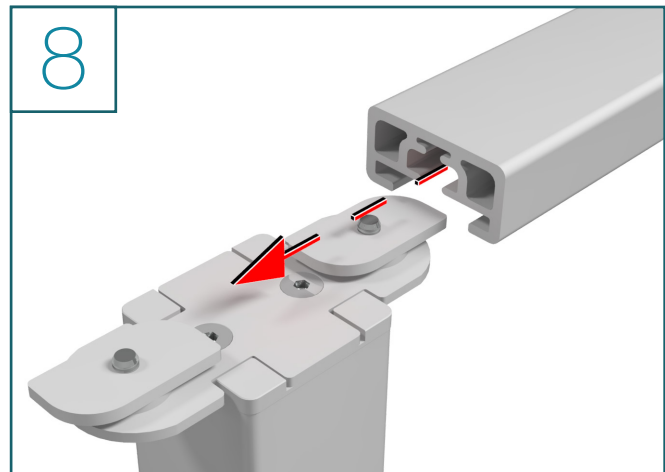


- Identify and prep the brackets that will sit on the top of each post
- Using a  $\frac{5}{32}$ " Allen wrench, tighten the bracket into place using the screws in the center holes

*Note: To prevent possible corrosion, only use the supplied chrome plated Allen wrench when doing this step*

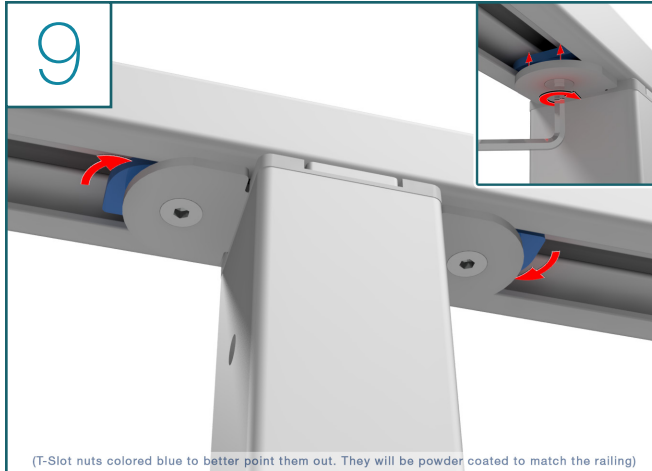


- Prepare the T Slot Nuts and bolts for each post on the run you are working on
- Thread the bolts through the bracket and tighten the screw into the T Slot Nut just enough so it stays on



- With the T Slot Nuts positioned as shown above, begin sliding the Quick Slide handrail onto the brackets
- The T Slot Nuts of each bracket should fit into the middle channel of the handrail
- Continue until the handrail sits on all the brackets for that run

## Quick Slide Level Handrail - Flat Top (Continued)

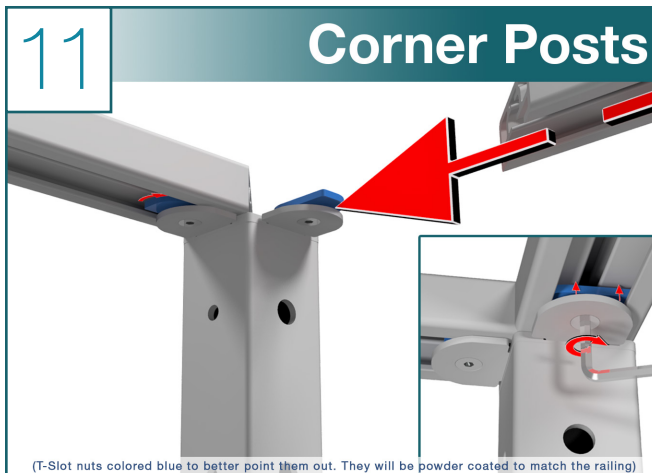


- When your handrail is in the correct position, turn the T Slot Nuts to wedge them into place inside the channel of the handrail
- Use the  $\frac{5}{32}$ " Allen wrench to tighten the T Slot Nuts against the channel
- The channel will hold the T Slot Nuts in place while the screw turns, tightening the handrail down

*Note: To prevent possible corrosion, only use the supplied chrome plated Allen wrench when doing this step*

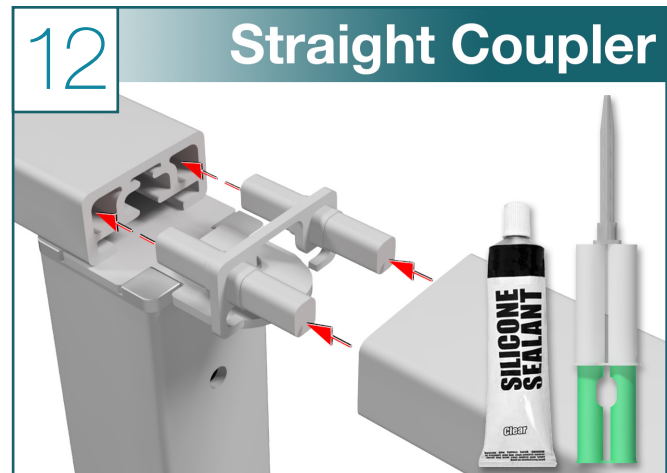


- When the handrail is completely in place, insert your end plugs
- You can use epoxy or silicone to attach them



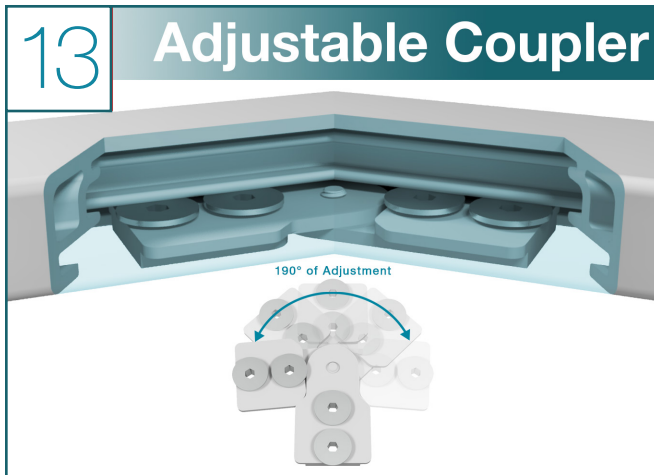
- Depending on the amount of room you have, you should be able to move your handrail back and slide it onto the open corner bracket end
- Once in place, use the Allen wrench to tighten the bolts
- Repeat this for both handrails meeting on the bracket

*Note: To prevent possible corrosion, only use the supplied chrome plated Allen wrench when doing this step*

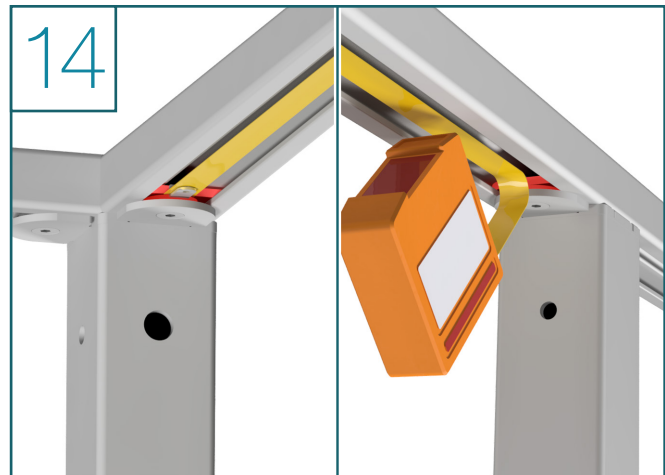


- To join two straight handrail runs, you will need to use a Quick Slide Coupler
- Using silicone or epoxy to hold in place, attach the coupler into one of the handrail ends
- Once in place, repeat the step for the other handrail end
- Each coupler will need to mount over a post bracket to ensure rigidity and strength

Quick Slide Level Handrail - Flat Top (Continued)

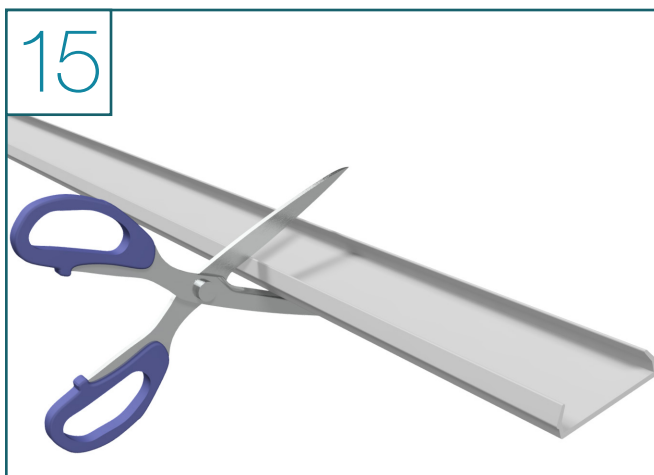


- You can use an Adjustable Coupler to join 2 sections of Quick Slide Handrail with a 190° of adjustment to accommodate most configurations
- Follow the same steps used to secure the post brackets to the Quick Slide Handrail



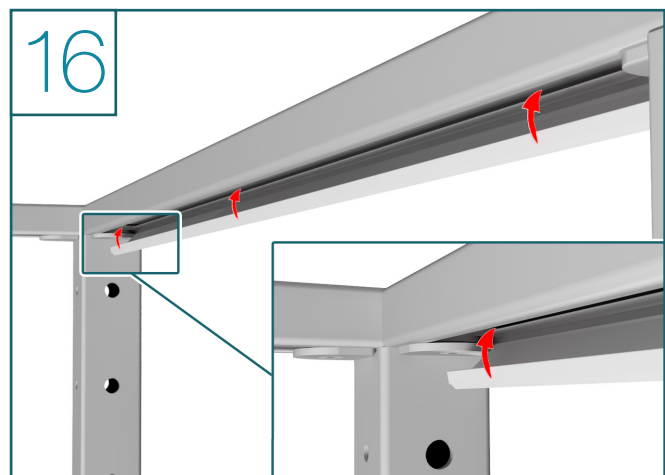
**THIS STEP IS ONLY FOR HANDRAIL INSTALLATIONS WITHOUT LEDS**

- After the installation of the handrail is complete, it is time to measure the length needed for each section of the Quick Slide Channel Covers - These covers will snap into the under side of the Quick Slide handrail and leave a smooth stylish look
- Looking under the handrail, locate the T Slot Nuts and measure the distance between them
- Write these measurements down as there may be some variation depending on post install locations



**THIS STEP IS ONLY FOR HANDRAIL INSTALLATIONS WITHOUT LEDS**

- Locate the Quick Slide Channel Covers
- Measure and mark where you will make your cuts
- Using a pair of scissors, cut the covers to size



**THIS STEP IS ONLY FOR HANDRAIL INSTALLATIONS WITHOUT LEDS**

- Clip the cover into space under the handrail as shown

**Congratulations! You're done with this section.**

We'd love to see your work! Snap a few pics with your phone and send them to [pictures@viewrail.com](mailto:pictures@viewrail.com). Thanks for choosing Viewrail. Enjoy your new installation!