



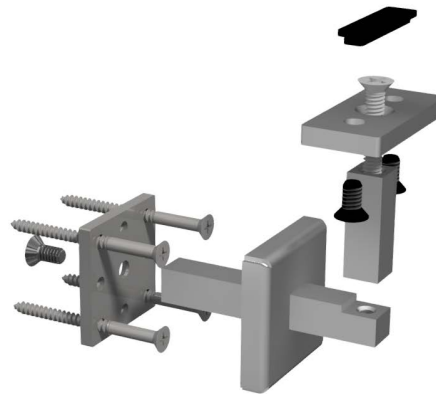
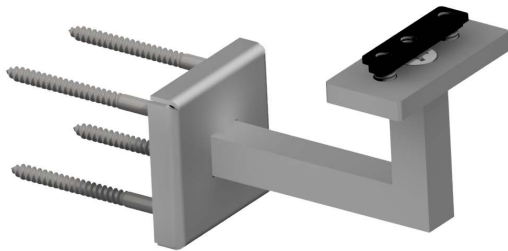
# Quick Slide Wall Mounted Handrail Bracket Installation Guide

Look for this sticker on hardware bags

HANDRAIL



## Wall Mounted Handrail Bracket Component Assembly



### Other Tools and Supplies Not Included in the Installation Kit

- Tape Measure
- Phillips Screw Driver
- Chalk Line Tool
- Drill
- Stud Finder

### Things to Know Before You Get Started

- Read over the provided material prior to the start of your installation



### Quick Slide Wall Mounted Handrail Bracket Installation Steps



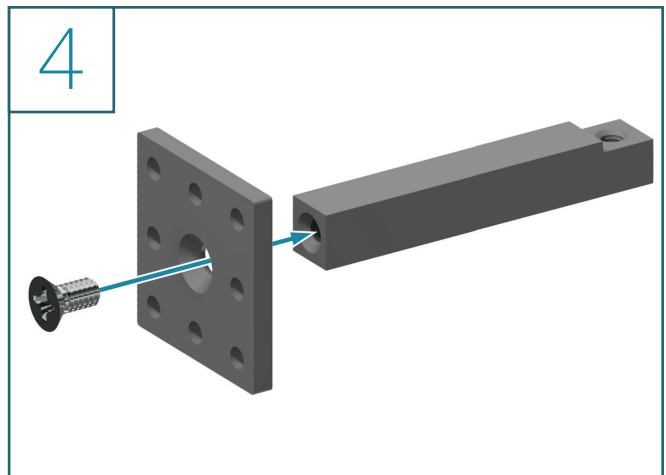
- Following your local code, measure straight up from the front of your first and last step
- Mark where your brackets need to be
- Take into account the bracket & handrail height



- Snap a chalk line to mark diagonally between the 2 marks (a laser level would work as well)



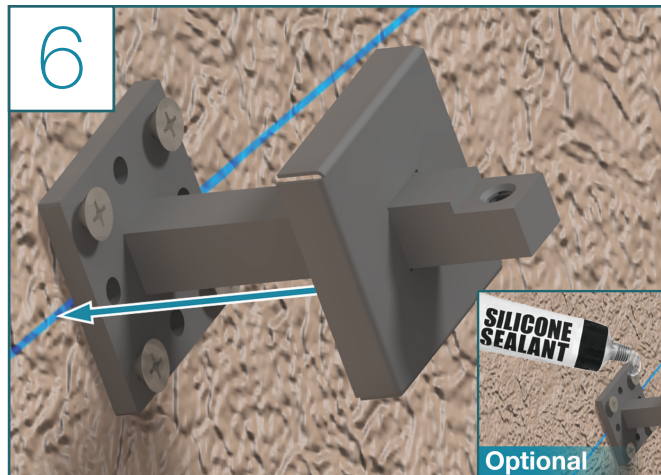
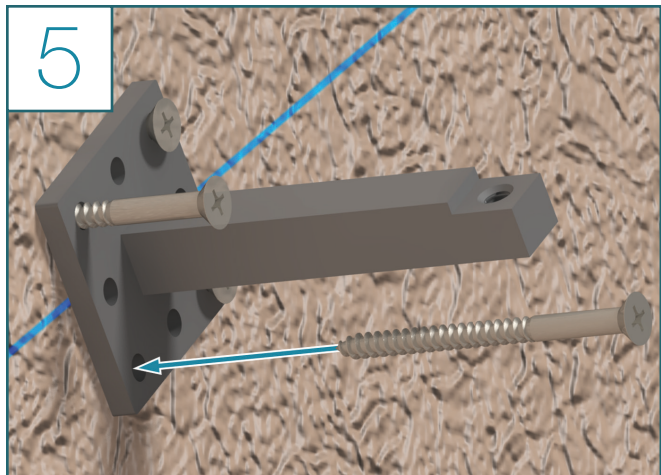
- Using a stud finder, mark the locations of your studs on the chalk line
- Keep in mind, handrail brackets should be no more than 4 feet apart
- Choose the stud locations you wish to use to mount your brackets on



- Using the 1/4\" - 20 x 1/2\" screw, attach the mounting plate to the base stem

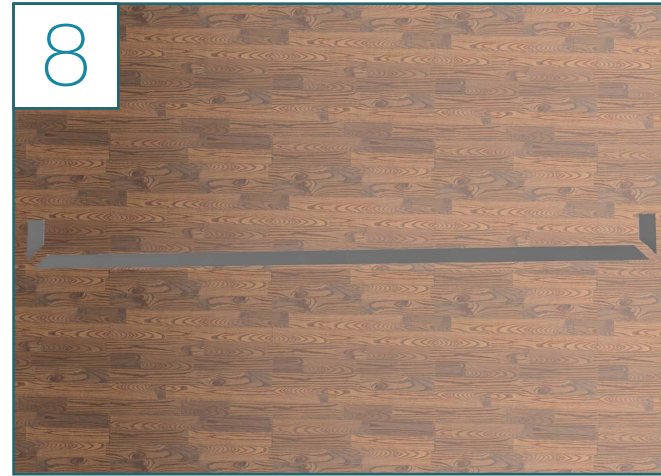
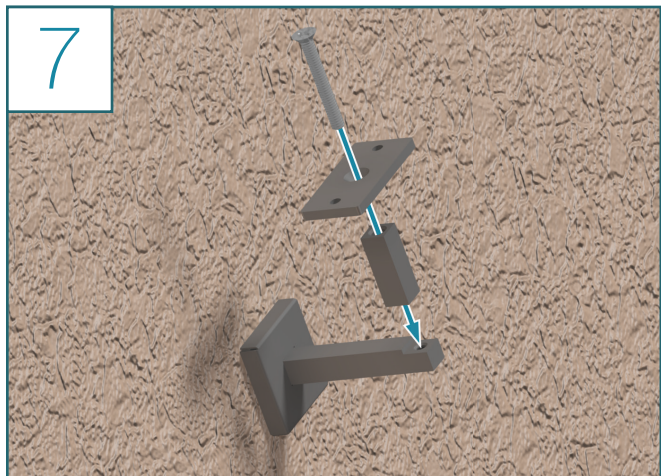


**Quick Slide Wall Mounted Handrail Bracket Installation Steps (Continued)**



- Angle the bracket in the marked locations to match the angle of the chalk line
- Use the provided #10 - 13 x 2 1/2" screws to populate 4 of the 8 hole locations into the stud

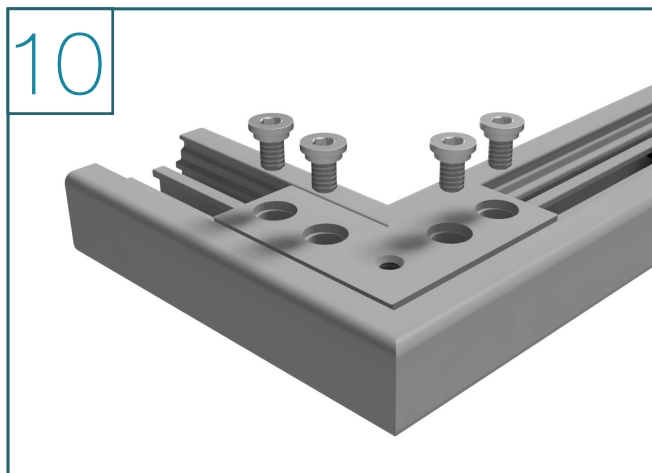
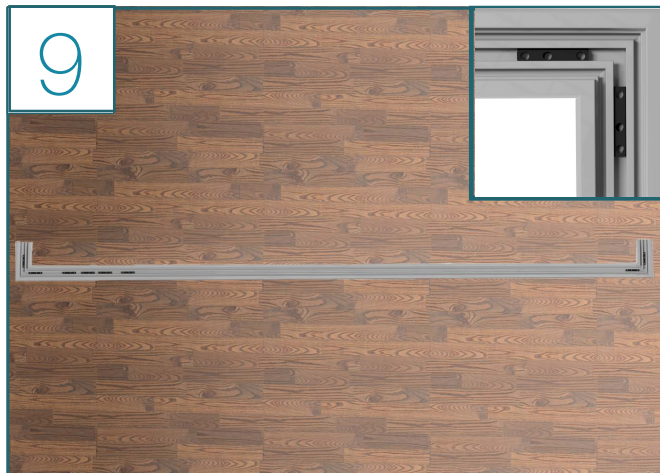
- Slide the Bracket Cover over the stem & into place
- **Optional Step:** Secure the Bracket Cover in place with Silicone or Epoxy



- Using the 1/4" - 20 x 2" screw, attach the top bracket and pillar to the base stem
- Repeat Steps 1-7 to install all your wall mount brackets

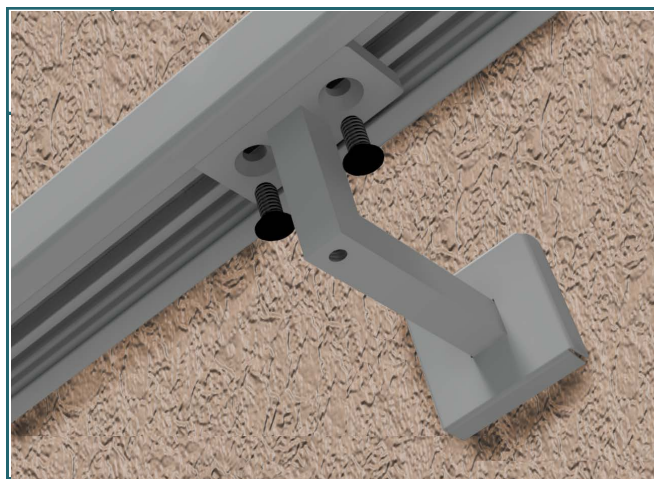
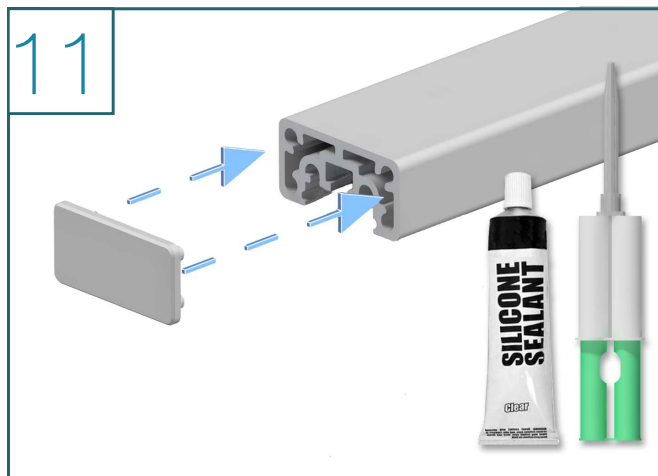
- Locate wall mount handrail and cut to length
- If your handrail was designed to have returns, cut the ends of the handrail at 45° and cut your return pieces as well

## Quick Slide Wall Mounted Handrail Bracket Installation Steps (Continued)



- Insert all your quick slide nut retainers into the handrail (before attaching your returns. This will be the last time you can access the channel)
- Note: there should be 1 nut retainer per bracket and if you have mitered returns you should have 2 per corner (1 on each side of the miter)

- If you have mitered corners, install the corner brackets with the provided bolts



- At this point you can install your end plugs
- You can use epoxy or silicone to attach them
- At this point your handrail should be ready to put on your wall

- Take your handrail and place it on the brackets
- Utilizing your stubby Allen or a long screwdriver, push the retainer nuts where they sit above each bracket
- You can utilize O rings (#8's) to keep the retainer nuts from sliding down the channel
- Install the bolts into the retainer nuts at each handrail bracket
- Your handrail is now fully installed

# Congratulations!

## You're done with this section.

We'd love to see your work! Snap a few pics with your phone and send them to [pictures@viewrail.com](mailto:pictures@viewrail.com). Thanks for choosing Viewrail. Enjoy your new installation!