



VIEWRAIL SURFACE TALON

Glass Talon System

Viewrail is America's leading producer of frameless glass systems. Our Surface Mount Talon Spigot is sustainably made from a single piece of aircraft-grade aluminum. By bypassing the need for welding, our aluminum Glass Surface Talon is the only of its kind in North America to be certified by the International Code Council.

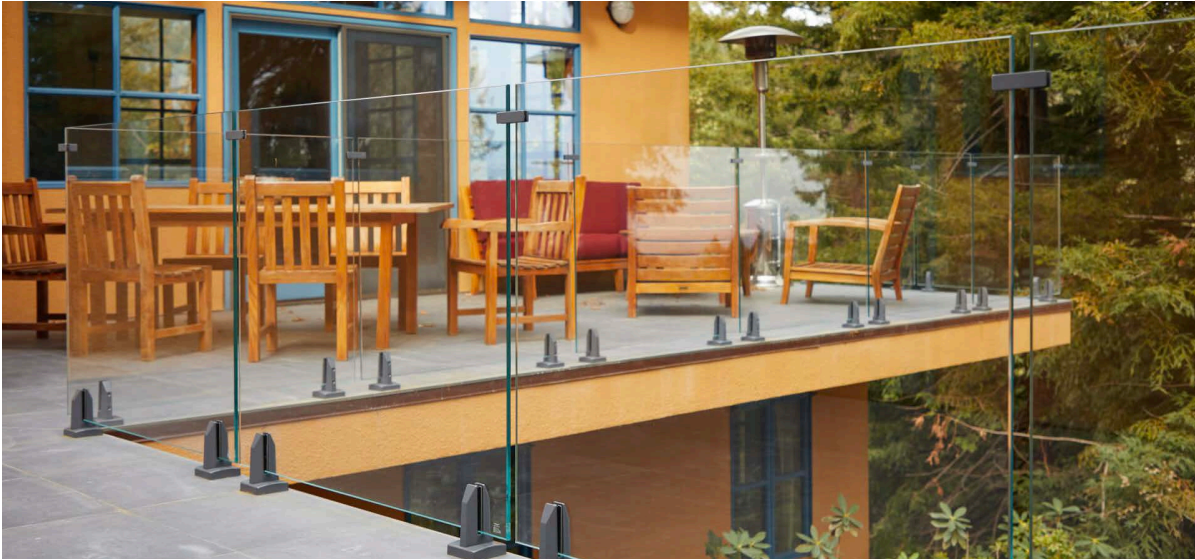
Surface Talons have a sleek, minimal profile to help maximize the view, and they're designed for quick and easy install – just mount the talon to the surface, then tighten and adjust the glass using our proprietary hardware. With their innovative design and durable construction, Surface Mount Talon Spigots do the work for you.

We understand each project is unique, so our talons need to stand up to even the harshest environments. That's why each Talon is anodized before being covered with our 2605 Platinum powder coat. That way each Talon receives two coastal-rated finishes.

When it comes to responsibly-made, thoroughly-tested frameless glass systems, there is no competition.



Viewrail Surface Talon System



Tech Specifications

Material: 6061 Aluminum (Aircraft Grade)

Finishes: Aluminum: Custom powder coated to order

Height: Up to 42" Tall (System Height)

Standard Spacing: 4" to center of talon from glass edge

Mount Type: Surface

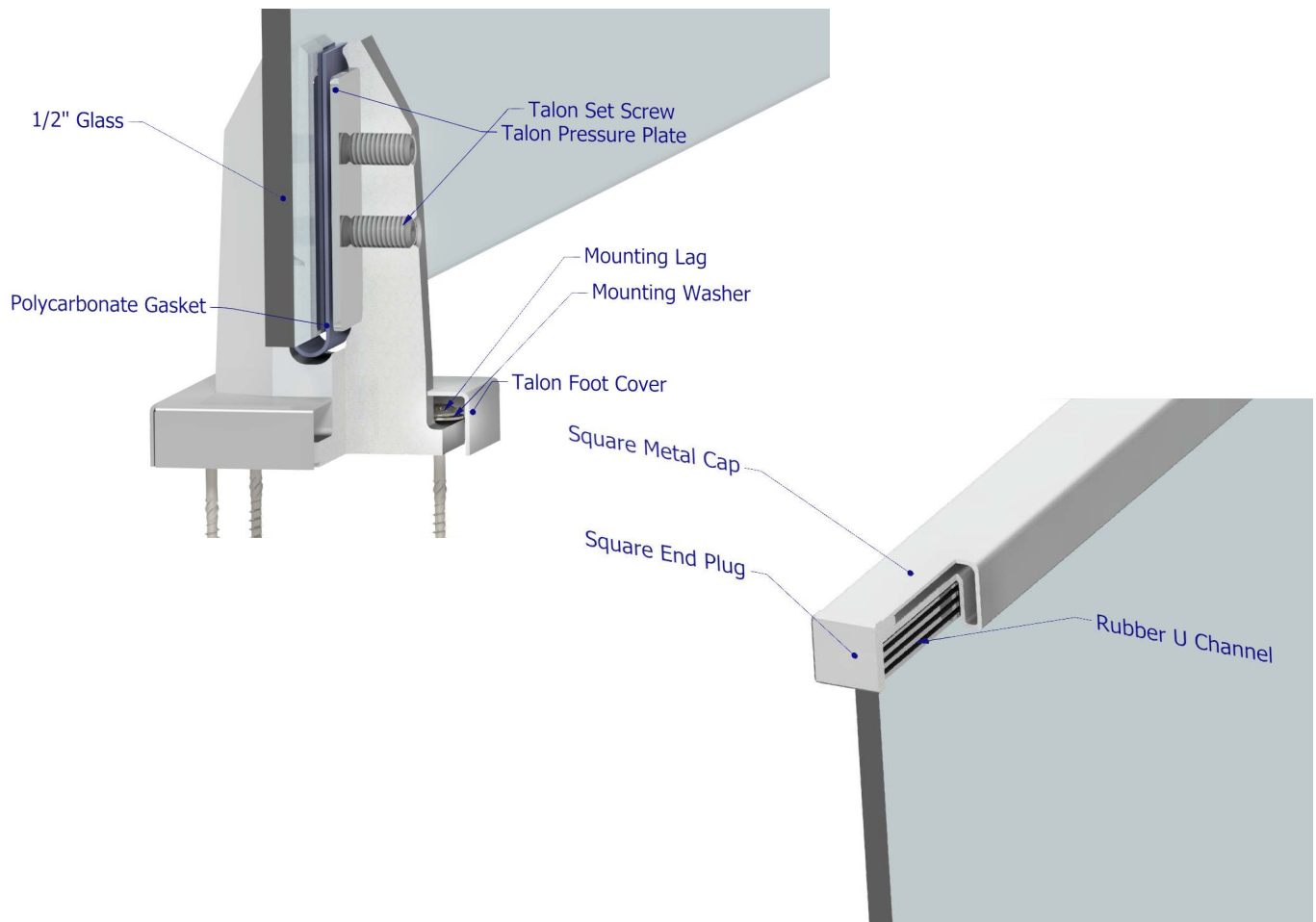
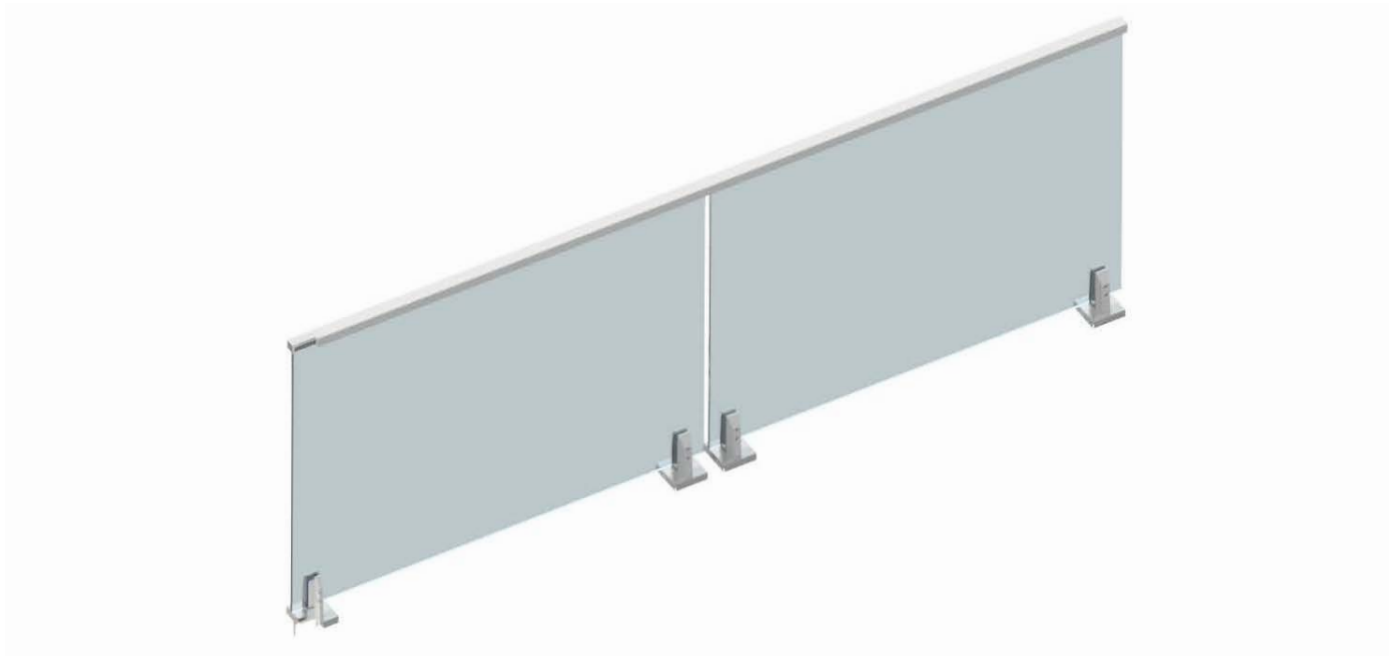
Composition: Milled from Solid Aluminum Bar Stock,
Reinforced with 2- 316SS Pins

Infill Options: ICC, IBC *International Building Code*®
(2015,2018,2021), IRC

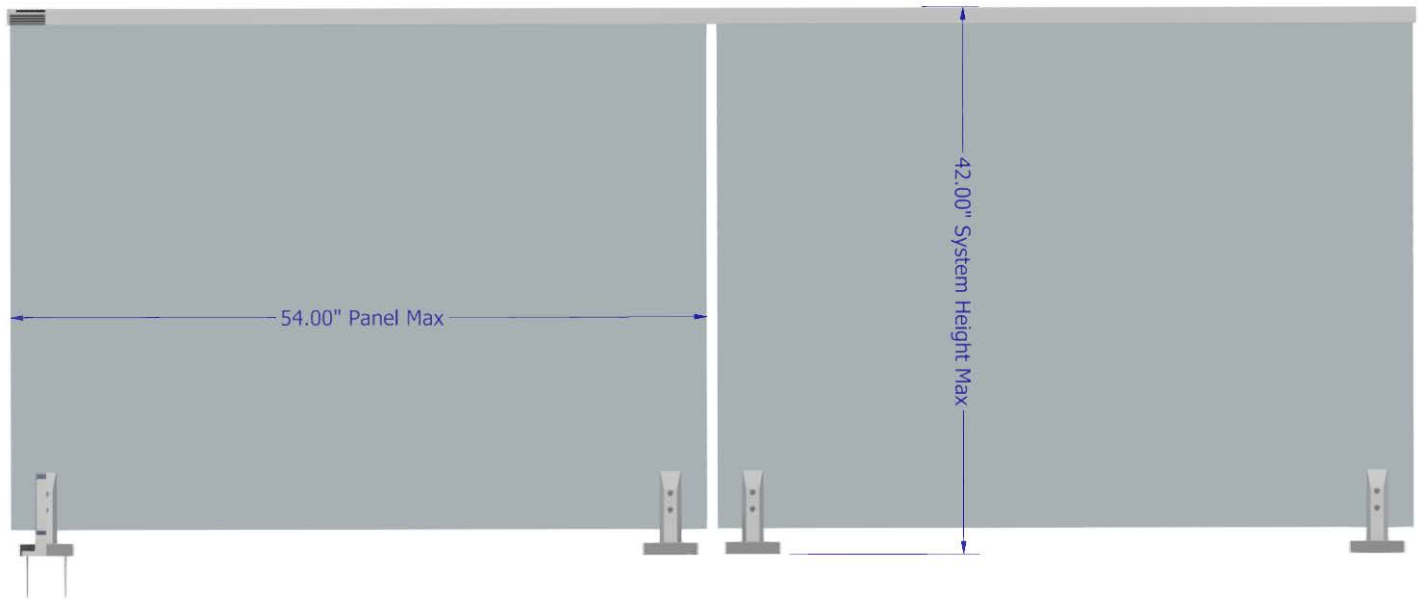
Compliance: *International Residential Code*® (2015,2018,2021)

Viewrail Surface Talon System

Product Components



Viewrail Surface Talon System



Hardware Dimensions

