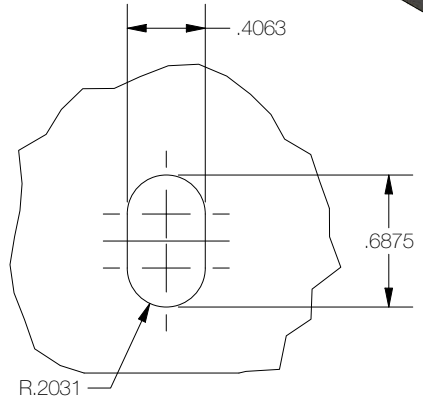
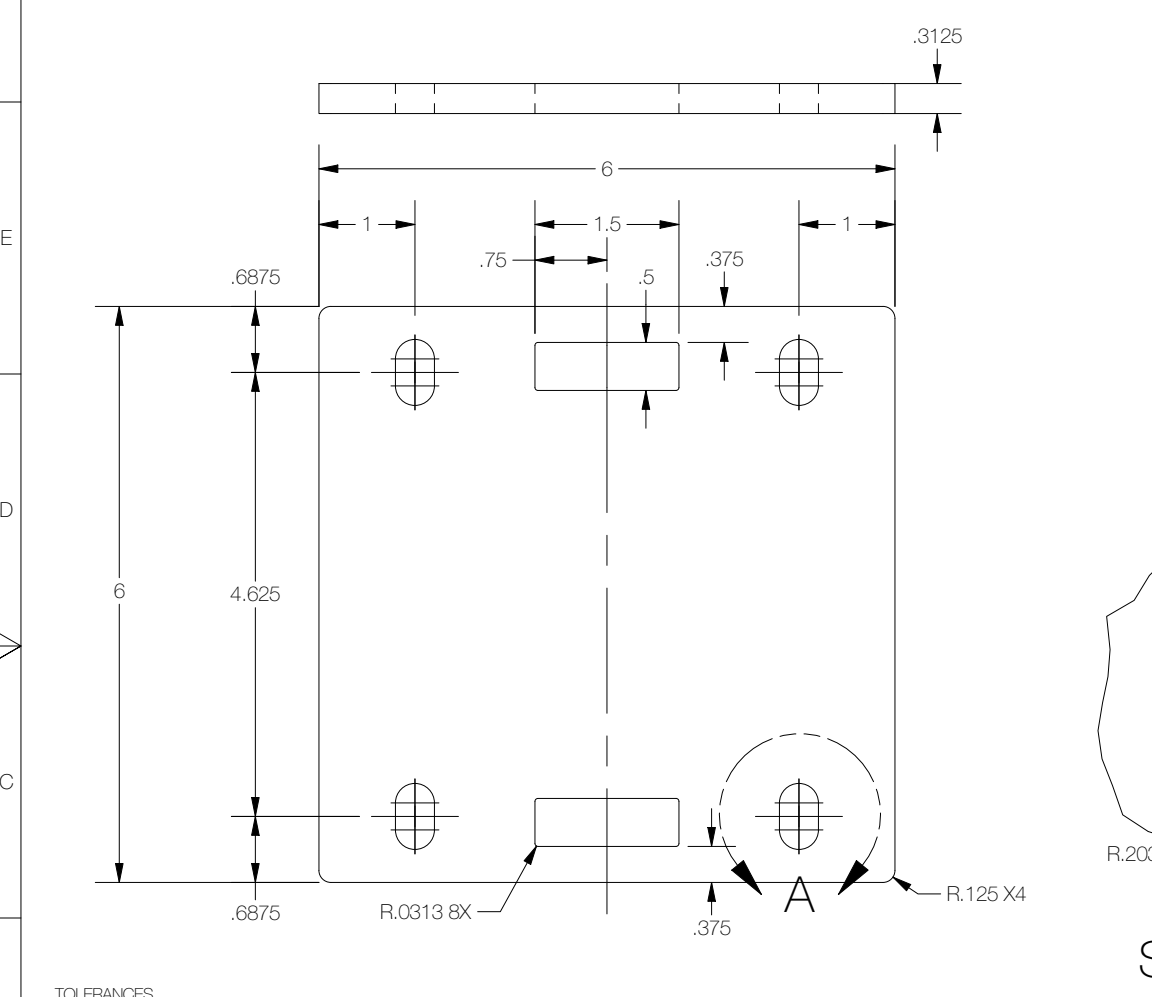
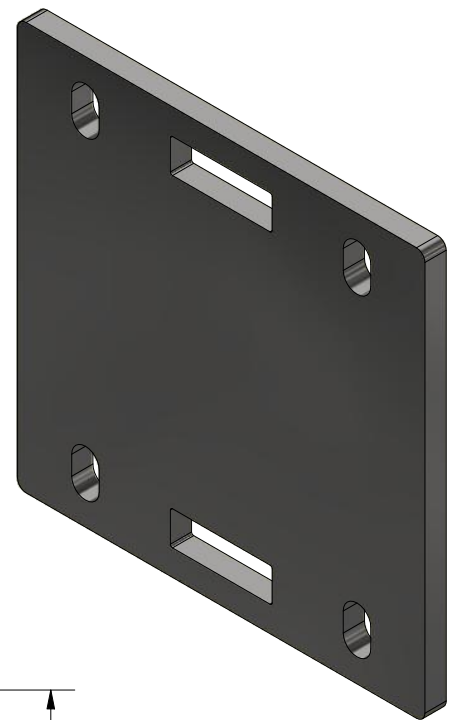


6 5 4 3 2 1

REVISION HISTORY				
ZONE	REV	DESCRIPTION	DATE	APPROVED
N/A	0	UPDATED PRINT	3/27/2020	JJJ



DETAIL A
SCALE 1 : 1



TOLERANCES
 X = ± .03125
 XX = ± .010
 XXX = ± .003
 SHEET METAL PARTS
 X = ± 0.5°
 UNLESS OTHERWISE NOTED

SPECIAL INSPECTION NOTES:
MATERIAL: Stainless Steel 304

PART NAME: 304 Side Mount Plate
 PART NUMBER: 315683
 DESIGN STATUS: Released
 FILE NAME: SIDE MOUNT PLATE SS.ipt
 PROJECT: Post Hardware
 DESIGNER: JJJ
 ENGINEER: JJJ
 RECENT REVIEW DATE: 3/27/2020

MANUFACTURED PARTS
 MANUFACTURING PROCESS:
 RAW MATERIAL COST PER PIECE: \$
 CYCLE TIME PER PIECE (SECONDS):
 FINAL COST PER PIECE: \$
 PURCHASED PARTS
 VENDOR:
 VENDOR COST PER PIECE: \$
 VENDOR STOCK NUMBER:
 LINK:

ENG APPROVED BY: JJJ
 ENG APPROVED DATE: 3/27/2020
 MFG APPROVED BY: JJJ
 MFG APPROVED DATE: 3/27/2020



6 5 4 3 2 1