


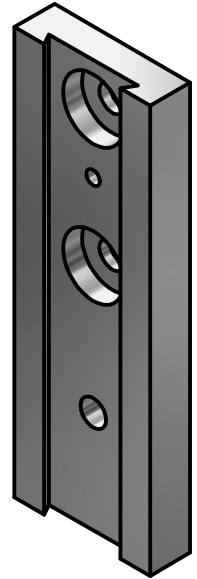
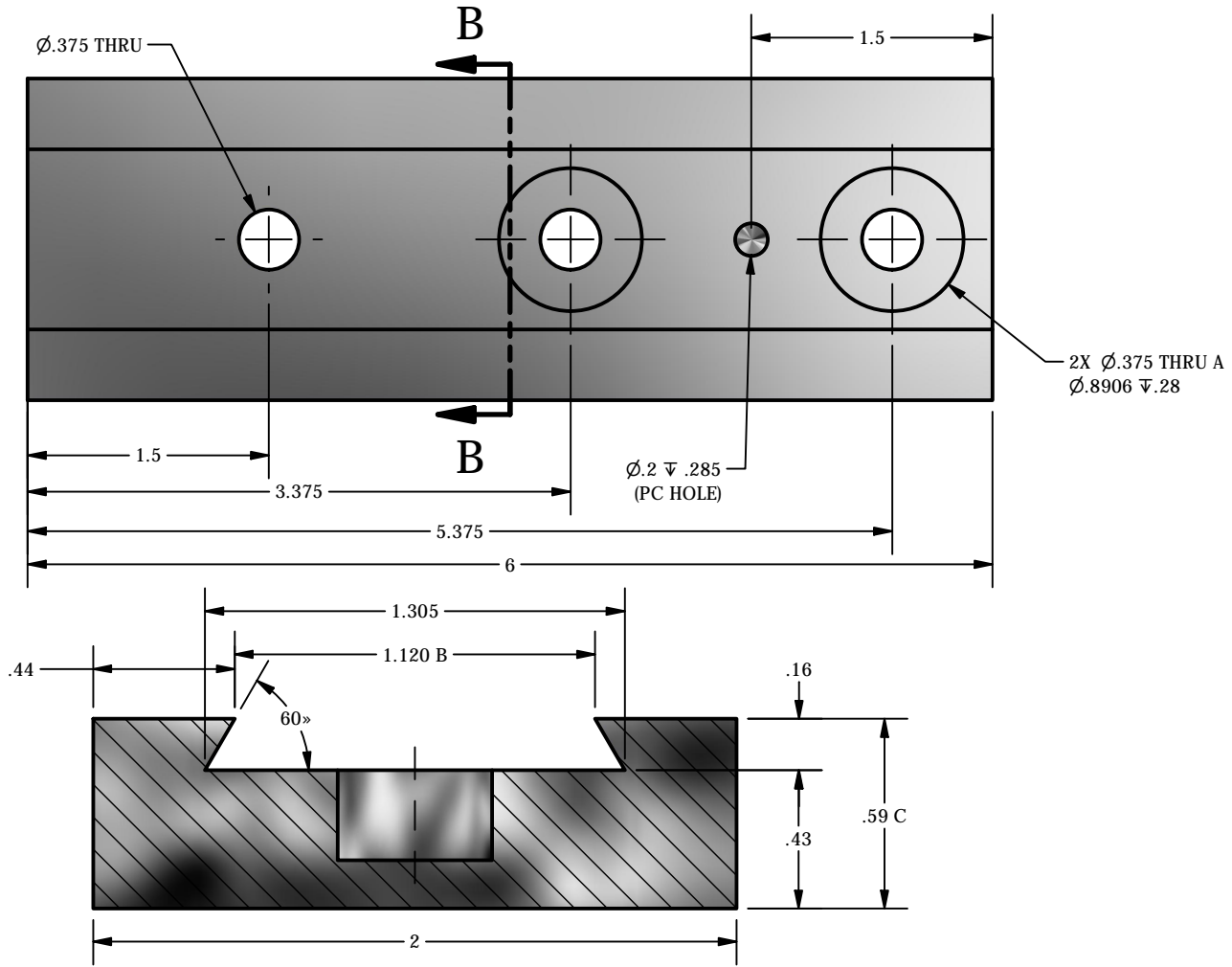
A	Gauge	Gauge
B	+/- .005	Caliper
C	+/- .005	Caliper
Gap	.03	325634
DIM	TOLERANCE	DEVICE
CRITICAL INSPECTIONS		

1	INITIAL RELEASE	1/24/2020	JJJ	
2	ADDED PC HOLE & CRITICAL DIMS	4/19/2021	MEM	
REV	DESCRIPTION	DATE	APPROVED	STATUS
REVISION HISTORY				


 Revision: 1
 Sheet 1 of 1


Part Number: 325633
Part Description: Aluminum Slim Side Mount Plate (MALE)
Material: Aluminum 6061 - Raw Stock
Finish:

Tolerance:
.X" +/- .03"
.XX" +/- .015"
.XXX" +/- .005"
X/X" +/- 1/16"
X° +/- 0.5°
Or as Specified



A	Gauge	Gauge
B	+/- .005	Caliper
C	+/- .005	Caliper
Gap	.03	325633
DIM	TOLERANCE	DEVICE
CRITICAL INSPECTIONS		

1	INITIAL RELEASE	1/24/2020	JJJ	
2	ADDED PC HOLE & CRITICAL DIMS	4/19/2021	MEM	
REV	DESCRIPTION	DATE	APPROVED	STATUS
REVISION HISTORY				


Revision:
Sheet 1 of 1

Part Number: 325634
Part Description: Aluminum Slim Side Mount Plate (FEMALE)
Material: Aluminum 6061 - Raw Stock
Finish:

Tolerance:
.X" +/- .03"
.XX" +/- .015"
.XXX" +/- .005"
X/X" +/- 1/16"
X° +/- 0.5°
Or as Specified

