



Tools Needed for this Installation



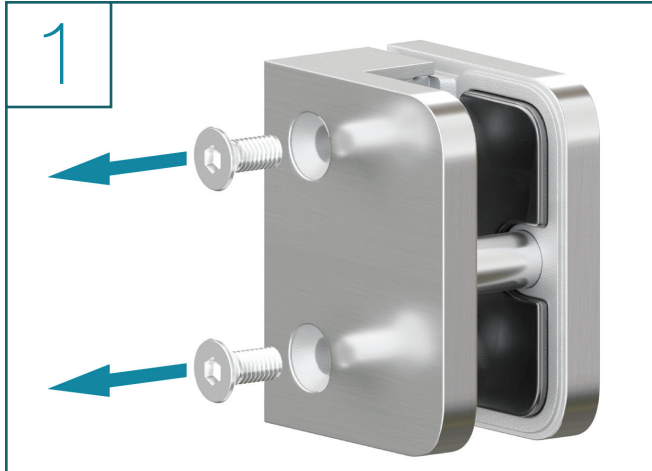
4mm & 3/16"
Allen Wrenches

Things to Know Before You Get Started

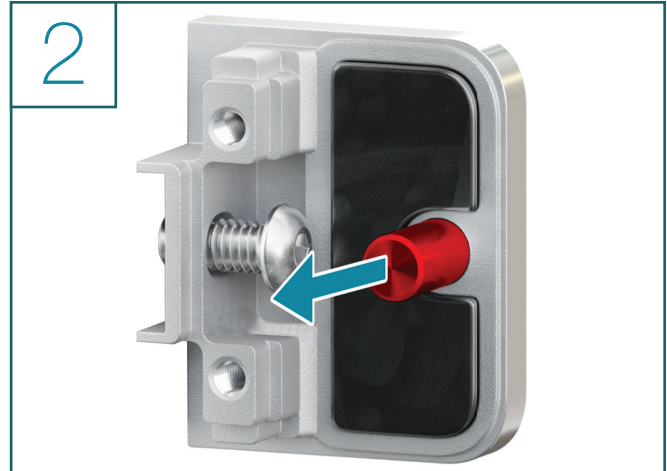
- Read over the provided material prior to the start of your installation.
- This project requires a minimum of two people.
- Viewrail perforated panel systems and fittings are designed to have a 1" gap between panels.
- Please note, for best results store hardware at room temperature (68°F+) up to the point of install. Cold weather can cause the rubber material to shrink and lose flexibility and grip. This could cause the panel to slip and require retightening in the future. Installation during warmer weather is ideal.
- When tightening the clips, be sure to tighten by hand, as power tools can damage the screws.



Glass Clip Installation Steps



- Locate and prepare your clips
- Using the 4mm Allen wrench, remove the two bolts



- Remove the middle pin
- Identify and place the 10mm rubber pads in the clip halves

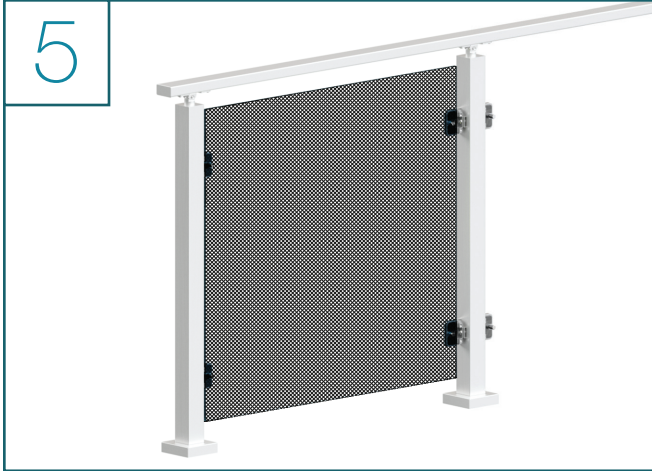


- Using the $\frac{3}{16}$ " Allen Wrench, attach the larger clip half to the post



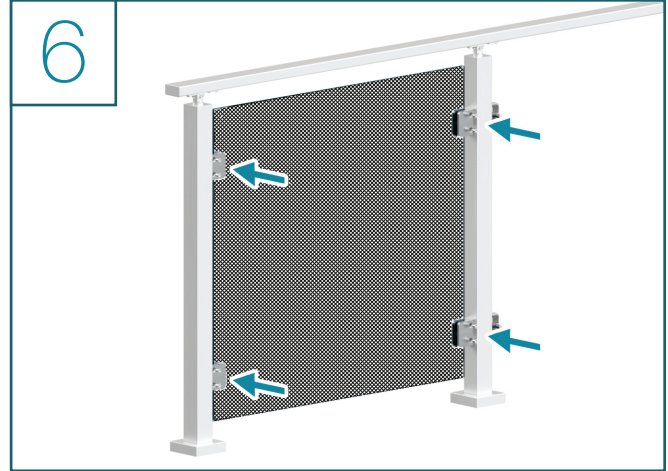
- Make sure the open face of the clip is facing the surface you will be mounting the glass from
- Repeat these steps for the remaining posts on the run you will be working on

Glass Clip Installation Steps (Continued)



5

- Identify and move the relevant panel into place

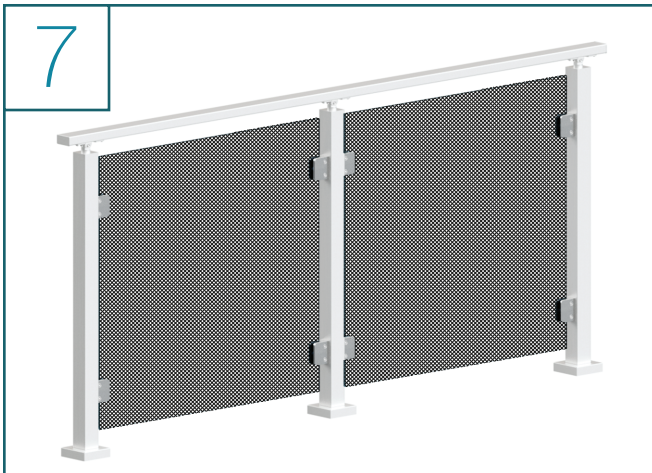


6

- While one person holds the panel in place, begin reattaching the other clip half
- Use the 4mm Allen wrench to tighten each bolt snugly

Note:

It is helpful to tighten each clip until snug, & then go back and retighten them until they are very tight. This will help keep the panel straight.



7

- Repeat steps 5 and 6 for the rest of the run

Congratulations!

You're done with this section.

We'd love to see your work! Snap a few pics with your phone and send them to pictures@viewrail.com. Thanks for choosing Viewrail. Enjoy your new installation!