



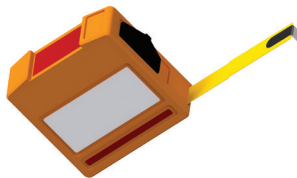
# Wood Postside Bracket Installation Guide - Quick Slide



## Tools Needed for this Installation



Pencil



Measuring Tape



Chop Saw



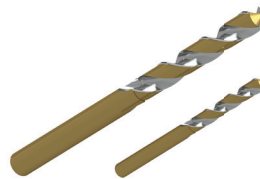
Bar Clamp(s)



5/32" Allen Wrench



Drill



3/16" & 9/64"  
Drill Bits



#2 Square  
Drive Bit

## Things to Know Before You Get Started

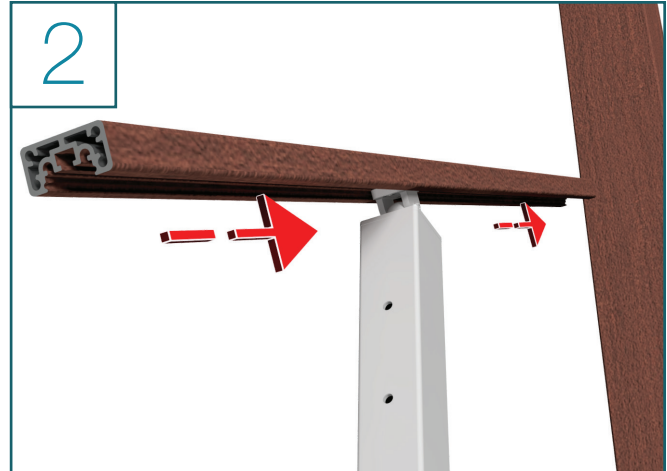
- Read over the provided material prior to the start of your installation



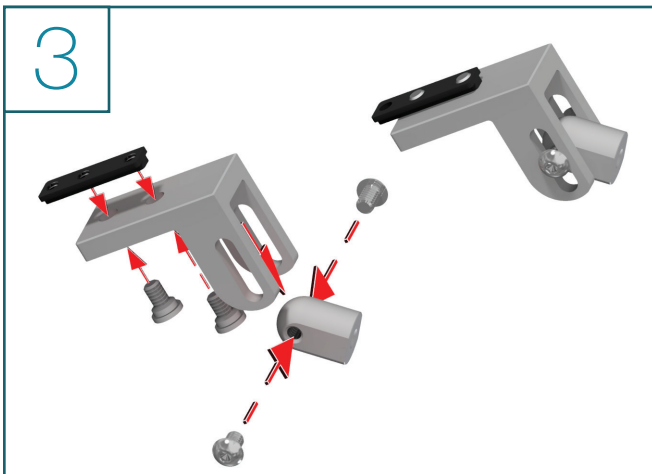
## Wood Postside Bracket Installation Steps - Quick Slide Handrail



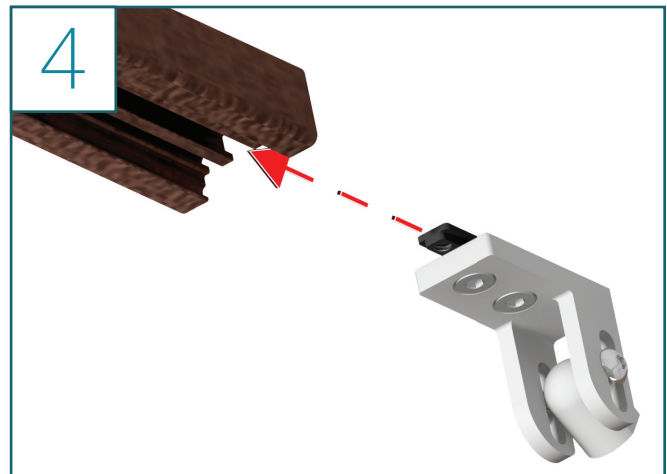
- Before installing your Wood Post Side bracket it will be necessary to have your handrail either cut to size
- Each post on the run should have their brackets and Quick Slide hardware in place



- Slide the handrail along the run towards the Post-Side Bracket mounting location
- Each post's bracket hardware should attach to the Quick Slide Channel
- Stop the handrail after attaching to the last post



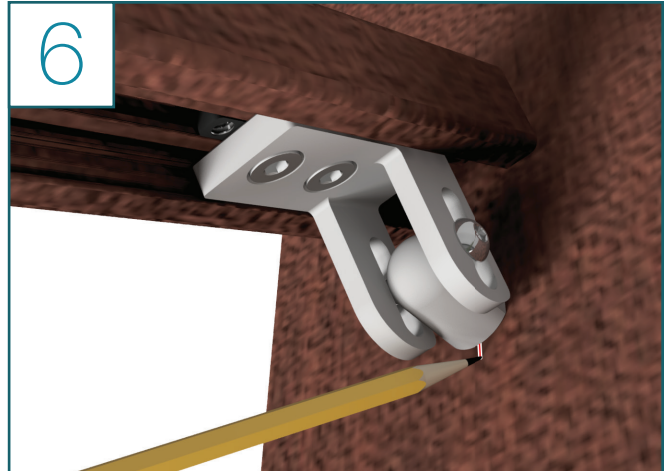
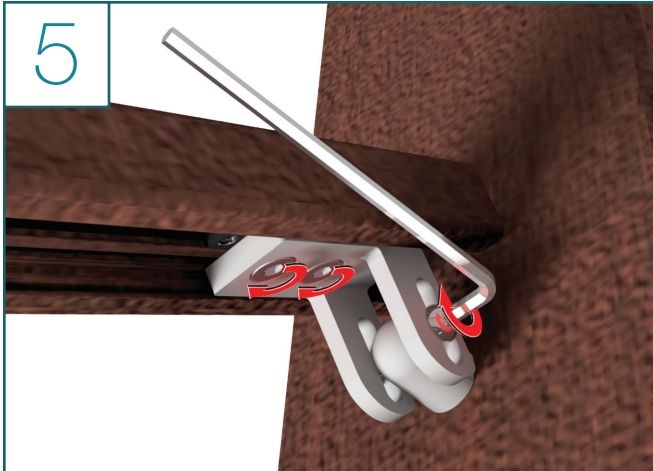
- Check for and gather all the necessary parts for your Post-Side Bracket
- Assemble the bracket to the dome using the button head socket screws
- For now, allow the screws to be centered in the middle of the slots cut in the bracket
- Do not place the hanger bolt into the dome yet
- Place the Quick Slide screw up through the bracket holes, and attach the nut retainer enough so it stays on



- Slide the bracket into the Quick Slide handrail channel

*Note: To prevent possible corrosion, only use the supplied chrome plated Allen wrench when doing this step*

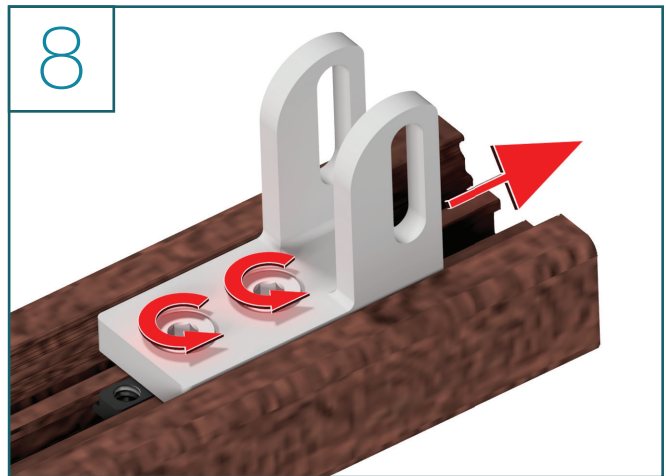
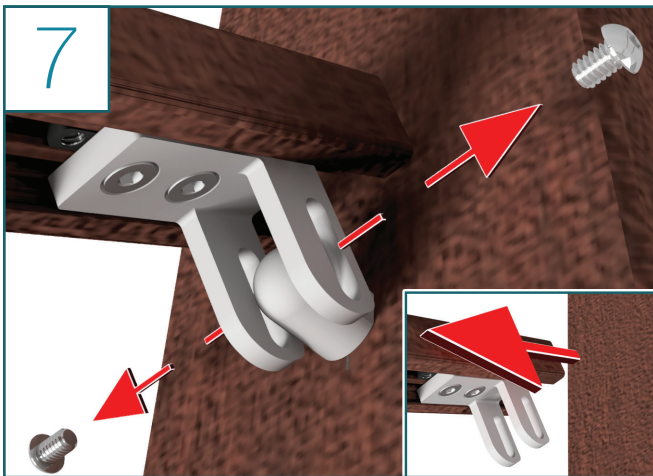
### Wood Postside Bracket Installation Steps - Quick Slide Handrail (Continued)



- Move the handrail towards the wall or post
- Maneuver the handrail where you would like it to sit
- Ensure the dome touches the wall or post and sits flush against the mounting material
- Use the  $\frac{5}{32}$ " Allen wrench to tighten the Quick Slide bolts in place for both the Post-Side Bracket, and the posts on the run

- Moving back to the Post-Side Bracket, use a pencil to make a small mark at the bottom of the dome where it touches the mounting surface

*Note: To prevent possible corrosion, only use the supplied chrome plated Allen wrench when doing this step*



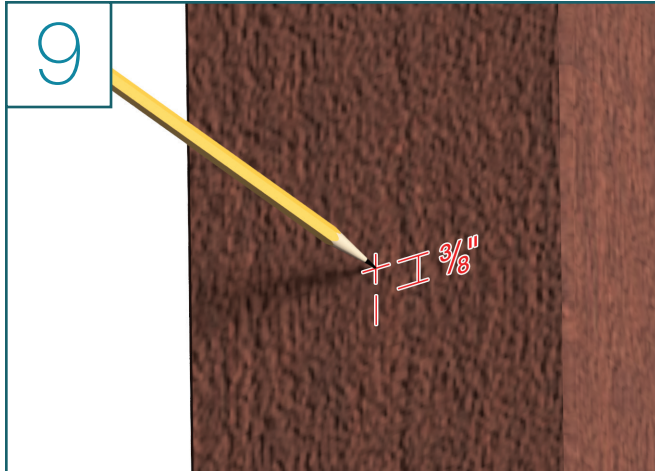
- Remove the handrail from the run
- You can either loosen the button head socket screws holding the handrail brackets to the wood post, or unfasten the Quick Slide hardware & remove the handrail

- Once the handrail is off, remove the Post-Side bracket from the handrail if applicable

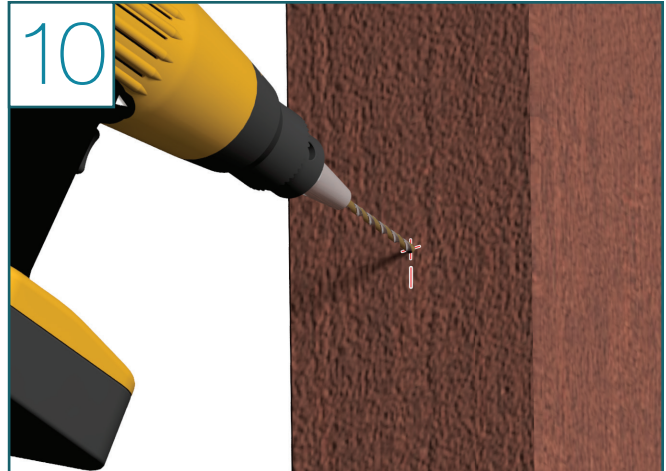
*Note: To prevent possible corrosion, only use the supplied chrome plated Allen wrench when doing this step*

*Note: To prevent possible corrosion, only use the supplied chrome plated Allen wrench when doing this step*

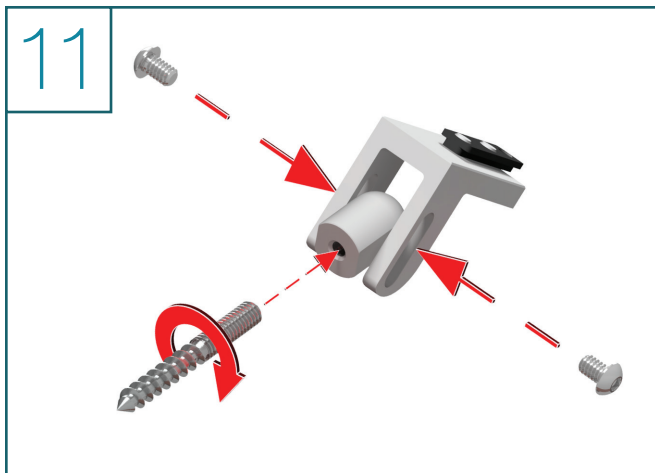
Wood Postside Bracket Installation Steps - Quick Slide Handrail (Continued)



- From your mark on the wall or post (**step 6**), measure straight up  $\frac{3}{8}$ " and make another mark

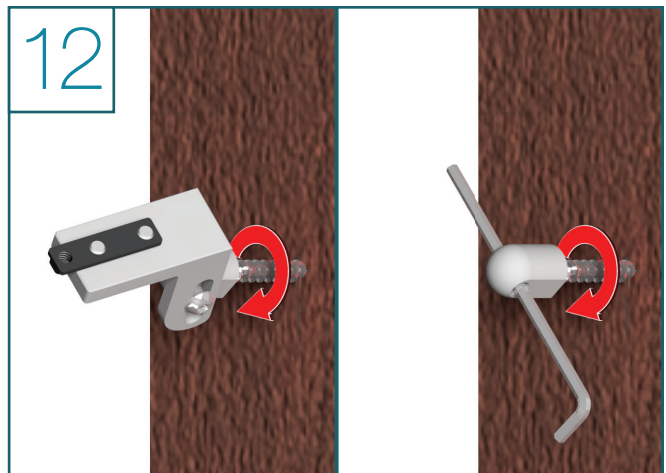


- Using a  $\frac{3}{16}$ " drill bit, drill at least  $2\frac{1}{2}$ " on this mark



- Reassemble the Postside Bracket if applicable
- Attach your hanger bolt into the dome of the Post-Side Bracket

*Note: To prevent possible corrosion, only use the supplied chrome plated Allen wrench when doing this step*



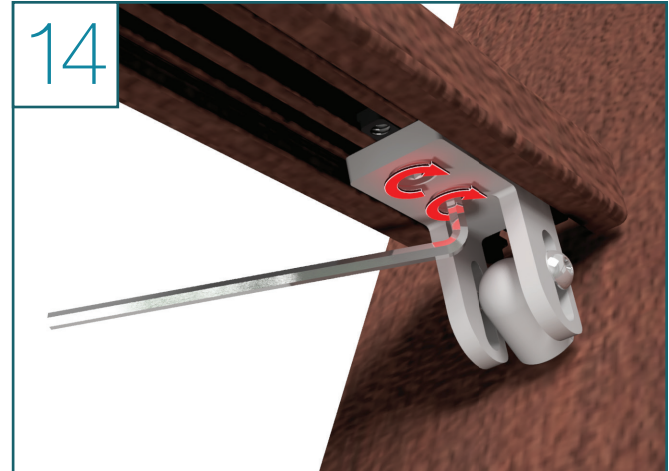
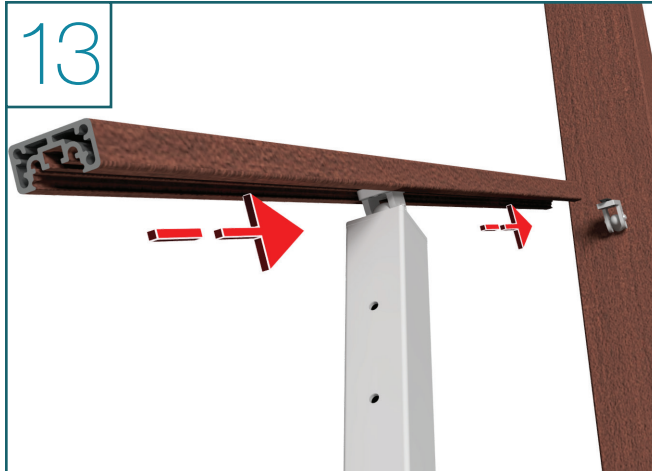
There are a few options to tighten the bracket into the post

**Option One:** Use the assembled post side bracket (in the picture) to twist the hanger bolt into the hole. Make sure not to place too much pressure and bend the bracket

**Option Two:** Remove the bracket and dome screws, then use an Allen wrench run through the hole in the dome to turn the hanger bolt.

**Option Three:** Disassemble the dome and bolt, and use a hanger bolt driver to fasten the hanger bolt

## Wood Postside Bracket Installation Steps - Quick Slide Handrail (Continued)



- Place your handrail back into position
- Option 1:** If you slid the handrail off the posts, slide the handrail back up the run and fasten in place
- Option 2:** If you took the handrail off the posts with the brackets attached, make sure you attach the bracket portion of your Post-Side Bracket before mounting your handrail back on

- With your handrail back on your posts, loosen and tighten the socket screws as needed on the Post-Side Bracket to have the bracket in the correct position

*Note: To prevent possible corrosion, only use the supplied chrome plated Allen wrench when doing this step*

## Congratulations! You're done with this section.

We'd love to see your work! Snap a few pics with your phone and send them to [pictures@viewrail.com](mailto:pictures@viewrail.com). Thanks for choosing Viewrail. Enjoy your new installation!