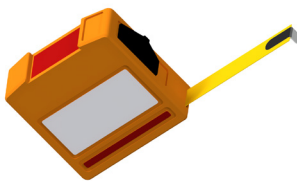




Quick Slide Angle Handrail Installation Guide



Tools Needed for Installation



Measuring Tape



Miter Saw
Non-Ferrous Metal Blade



$\frac{3}{16}$ " & $\frac{5}{32}$ "
Allen Wrenches



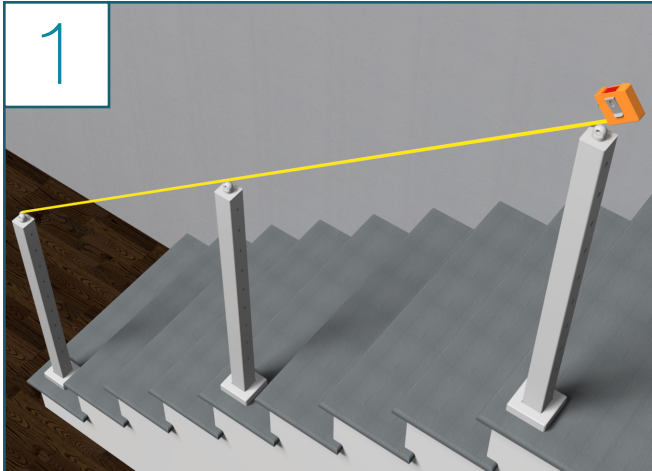
Silicone Sealant
or Epoxy

Things to Know Before You Get Started

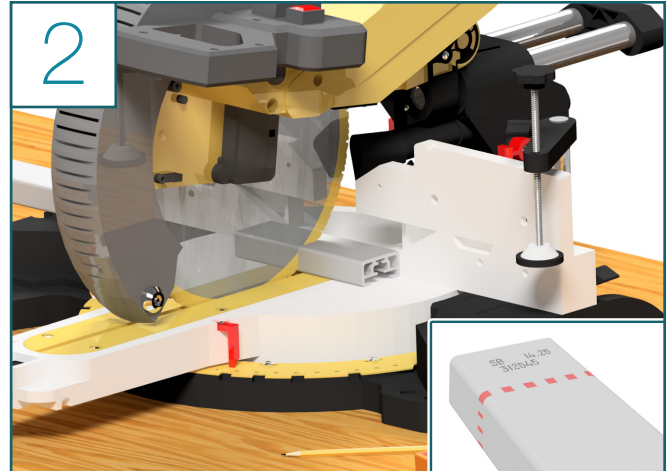
- Read over the provided material prior to the start of your installation
- **For handrail installations including LEDs:**
Identify and plan for how you would like to run your wire from the box to the LED strip which will be hidden inside of the handrail. This wire can either be run externally to the handrail, or, some customers choose to run the wire up through a post and drill a hole out the top of the post and lead into the handrail. A third option is to utilize handrail returns and run the wire directly from the handrail channel into the wall.



Quick Slide Angle Handrail

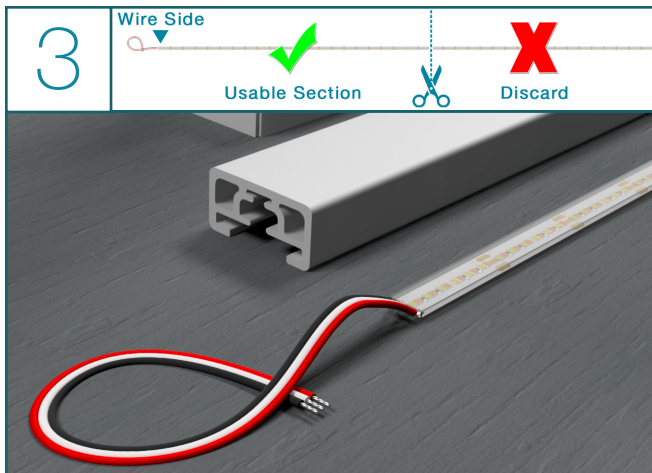


- Measure your run and determine the length needed for your handrail
- The handrail can overhang the end posts if desired



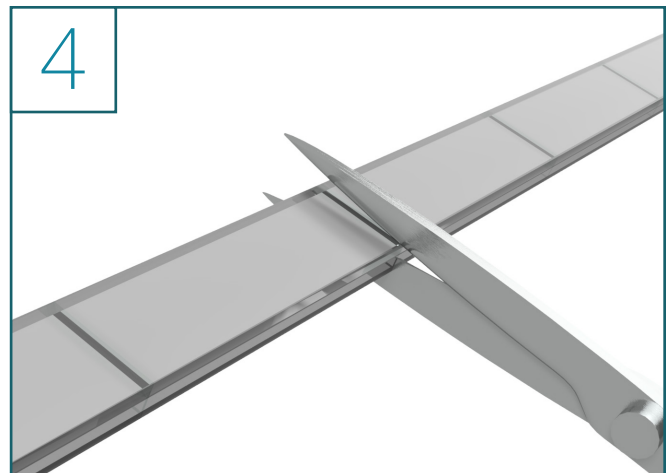
- Mark your handrail & use a miter saw to cut your handrail
- You can use painters tape where you are going to cut to help keep the powder coat intact
- Any miter saw with a good blade or blade rated to cut aluminum will work

Note: Make sure to locate the production marks on one end of each handrail. It will be important to remove that end of each handrail when cutting them to length.



THIS STEP IS ONLY FOR HANDRAIL INSTALLATIONS WITH LEDs

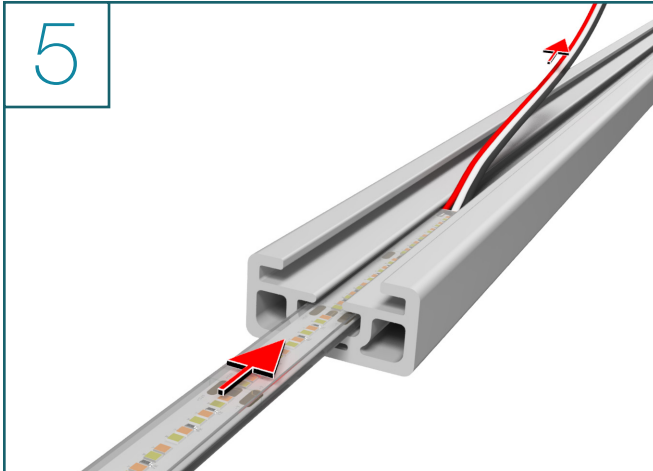
- Utilizing the measurements you took for your handrail, lay out your LED Strips by the corresponding length of handrail
- Make sure to measure from the wire end of the LEDs to the appropriate length and mark on the LED strip
- Once cut, in the following step, the remainder of the LED strip will be discarded



THIS STEP IS ONLY FOR HANDRAIL INSTALLATIONS WITH LEDs

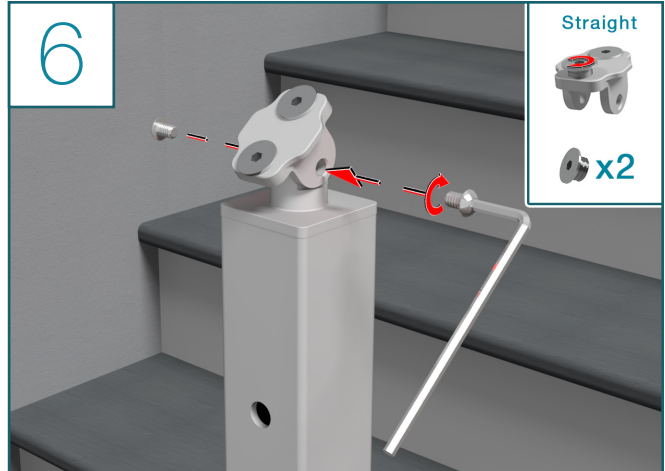
- Cut your LED Strip to the nearest cut point for the length of handrail that you have cut
- The cut points are indicated by black lines on the back
- If your measurement from Step 3 is in between cut lines, then round down to the next cut line
- Seal the cut end with silicone to prevent a short

Quick Slide Angle Handrail (Continued)



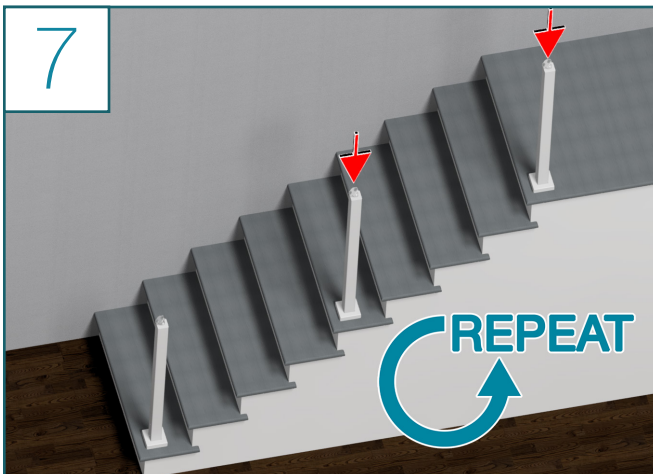
THIS STEP IS ONLY FOR HANDRAIL INSTALLATIONS WITH LEADS

- After your LED Strips have been cut to length, draw the LED strip through the channel by gently pulling it by the leader wires
- It might be helpful for a partner to gently guide the LED strip in from the opposite side
- After the LED is in place and you are satisfied with its location, use silicone to seal the cut end of the LED strip to prevent moisture intrusion.

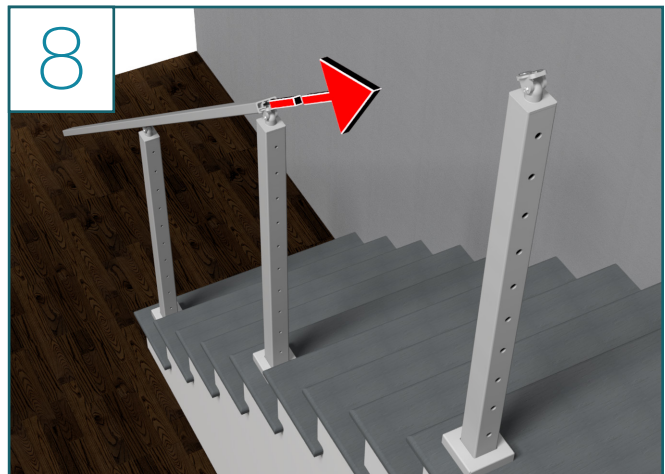


- Identify your post bracket and dome screws
- Attach the bracket to your posts using the dome screws and the supplied $\frac{5}{32}$ " Allen wrench, but leave them a little loose in order to be able to adjust the angle of them in a later step

Note: To prevent possible corrosion, only use the supplied chrome plated Allen wrench when doing this step

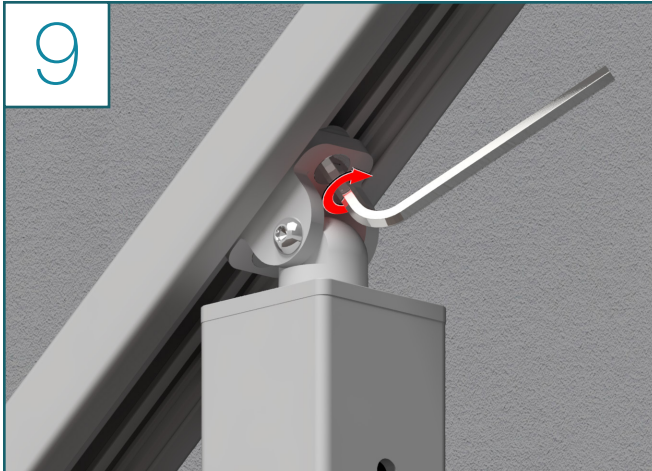


- Repeat step 3 on the remaining posts on the run



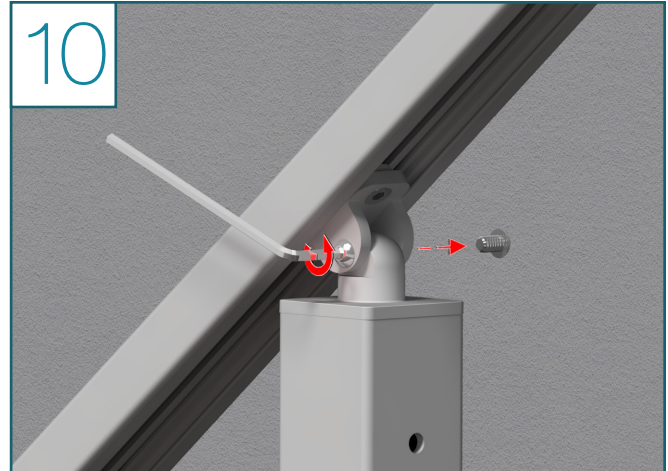
- Take your handrail and slide it onto the brackets on the run
- Mind the protruding portion of the handrail to avoid damage to it or the surrounding structure
- As you approach each post, maneuver the bracket to allow it to slide into the channel

Quick Slide Angle Handrail (Continued)



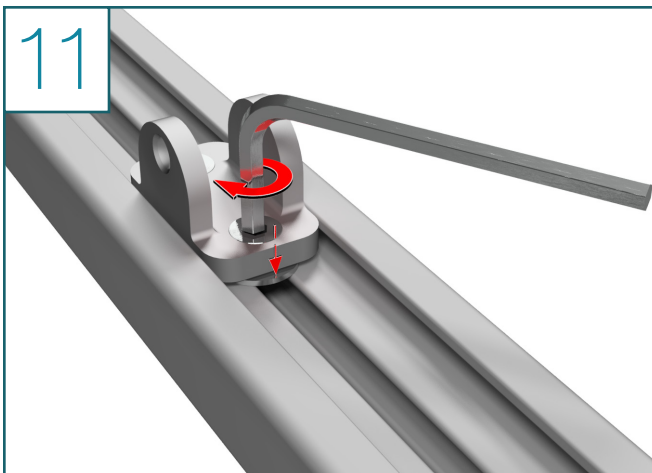
- Once the handrail is in place, take the $\frac{3}{16}$ " Allen wrench and tighten the top screw on each of the brackets

Note: To prevent possible corrosion, only use the supplied chrome plated Allen wrench when doing this step



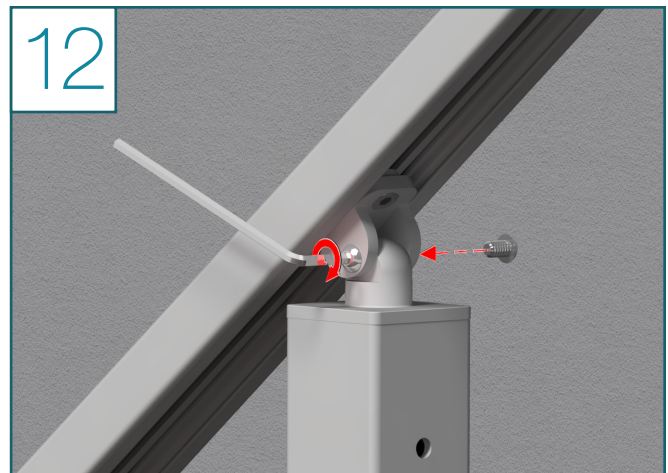
- Using the $\frac{5}{32}$ " Allen wrench, remove the button head screws holding the bracket to the post
- Do this for each bracket, and then lift off the handrail

Note: To prevent possible corrosion, only use the supplied chrome plated Allen wrench when doing this step



- Tighten the second, lower screw on each bracket

Note: To prevent possible corrosion, only use the supplied chrome plated Allen wrench when doing this step



- Replace the handrail and bracket back onto the posts
- Attach the bracket to your posts using the dome screws and the supplied $\frac{5}{32}$ " Allen wrench

Note: To prevent possible corrosion, only use the supplied chrome plated Allen wrench when doing this step

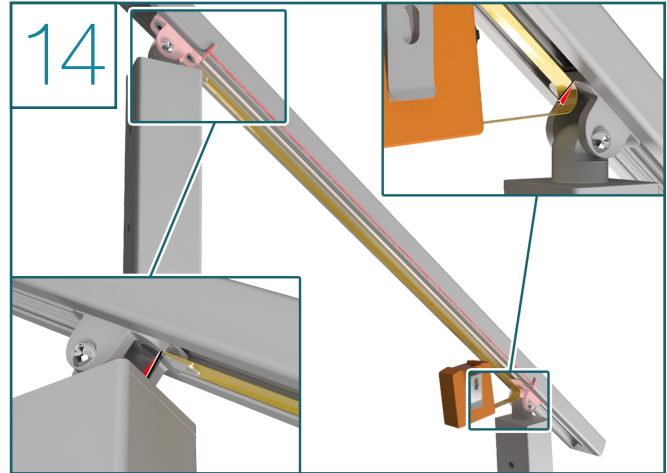
Quick Slide Angle Handrail (Continued)



- When the handrail is completely in place, insert your end plugs
- You can use epoxy or silicone to attach them

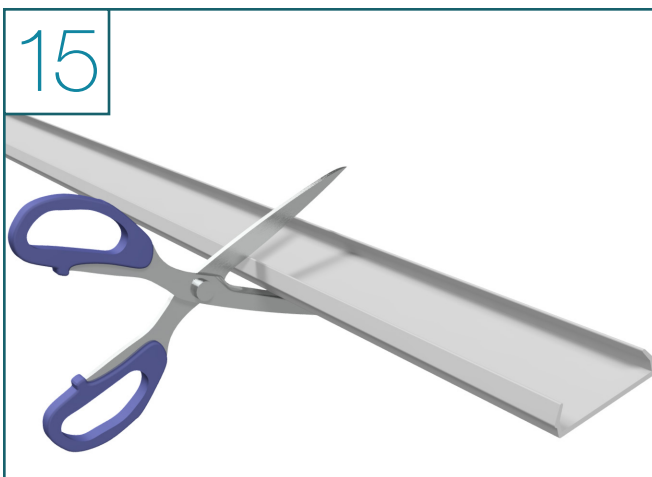
The next 3 steps are only completed if you DID NOT installed LEDs into the Quick Slide Handrail.

If you DID install LEDs into the handrail, then skip these steps and move to the next page in your instruction binder.



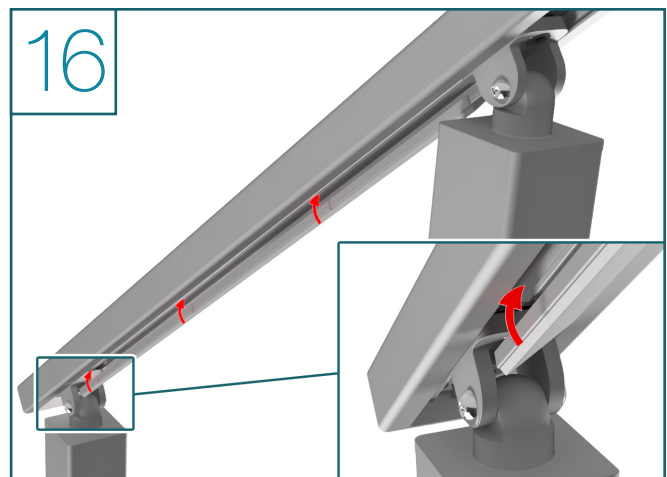
THIS STEP IS ONLY FOR HANDRAIL INSTALLATIONS WITHOUT LEDs

- After the installation of the handrail is complete, it is time to measure the length needed for each section of the Quick Slide Channel Covers - These covers will snap into the under side of the Quick Slide handrail and leave a smooth stylish look
- Looking under the handrail, locate the brackets and measure the distance between them
- Write these measurements down as there may be some variation depending on post install locations



THIS STEP IS ONLY FOR HANDRAIL INSTALLATIONS WITHOUT LEDs

- Locate the Quick Slide Channel Covers
- Measure and mark where you will make your cuts
- Using a pair of scissors, cut the covers to size



THIS STEP IS ONLY FOR HANDRAIL INSTALLATIONS WITHOUT LEDs

- Clip the cover into space under the handrail as shown

Congratulations! You're done with this section.

We'd love to see your work! Snap a few pics with your phone and send them to pictures@viewrail.com. Thanks for choosing Viewrail. Enjoy your new installation!