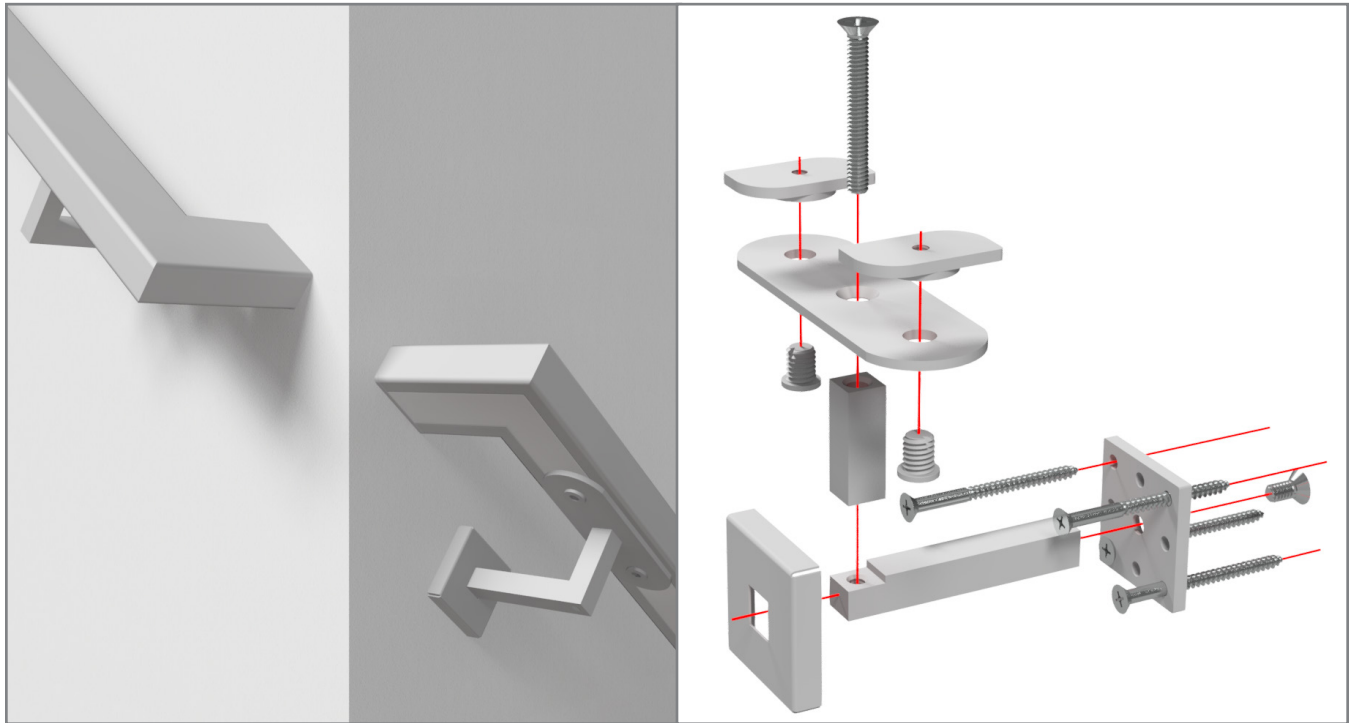




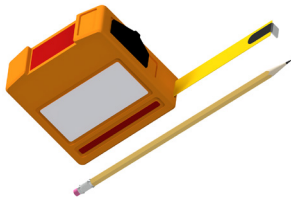
Quick Slide Wall Mounted Handrail Installation Guide

Look for this sticker on hardware bags

HANDRAIL



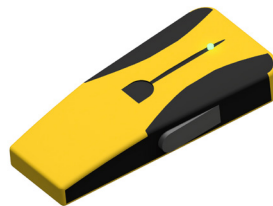
Tools Needed for this Installation



Tape Measure and Pencil



Laser Level or Chalk Line



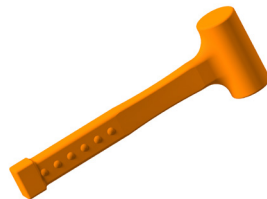
Stud Finder



Medium Phillips Head Screw Driver



Drill and 1/8" Drill Bit



Dead Blow Hammer



Miter Saw with Non-Ferrous Metal Blade



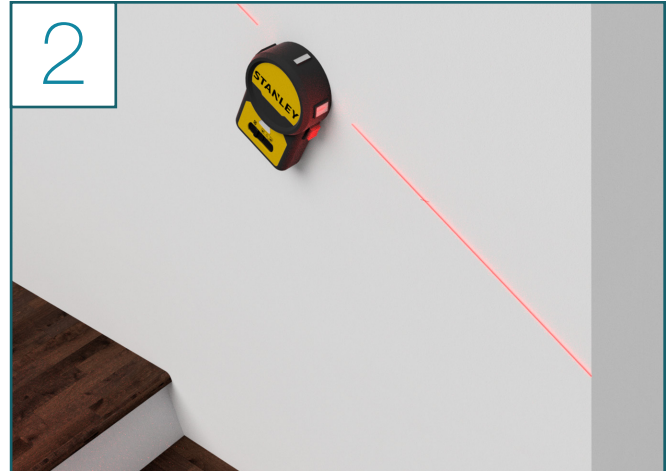
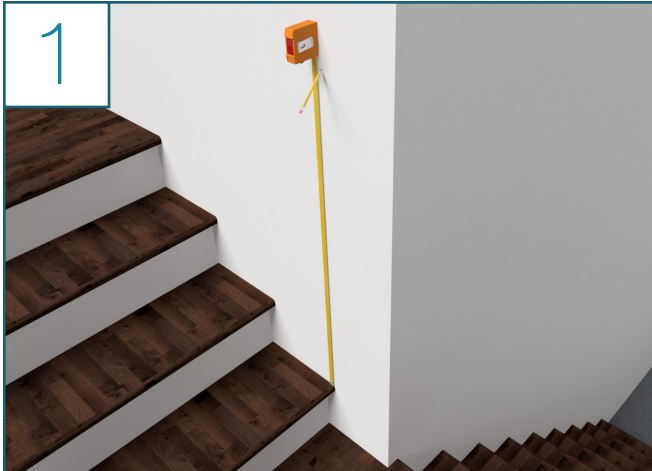
Scissors

Things to Know Before You Get Started

- Read over the provided material prior to the start of your installation

Visit our YouTube channel to watch helpful installation videos
youtube.com/viewrail

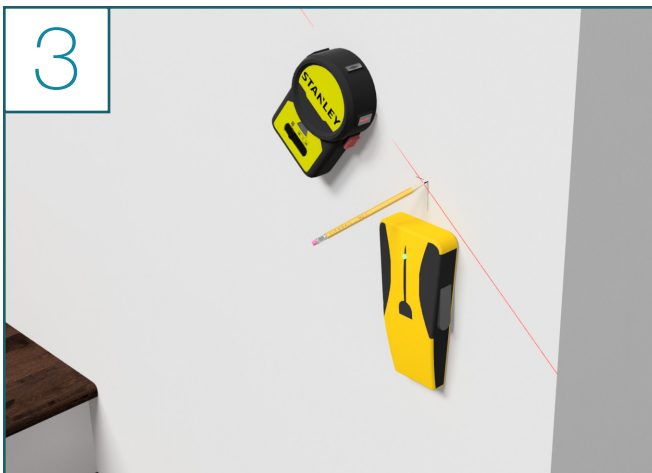
Quick Slide Wall Mounted Handrail Installation Steps



- Measure straight up from the front of your first and last step
- Following your local code, mark where your brackets need to be
- Take into account the bracket & handrail height

- Use a laser level or snap a chalk line to mark diagonally between the 2 marks

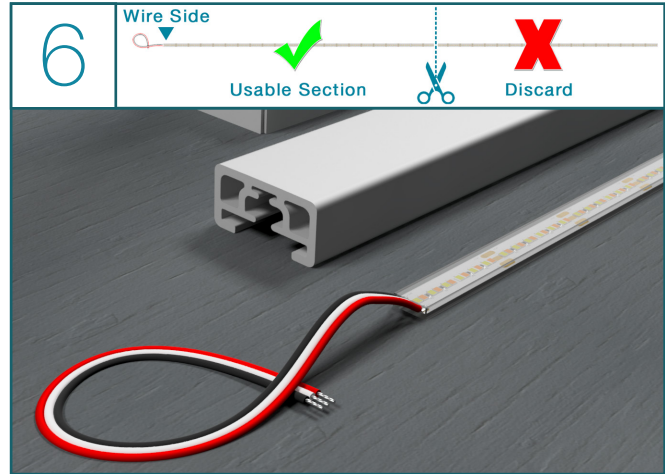
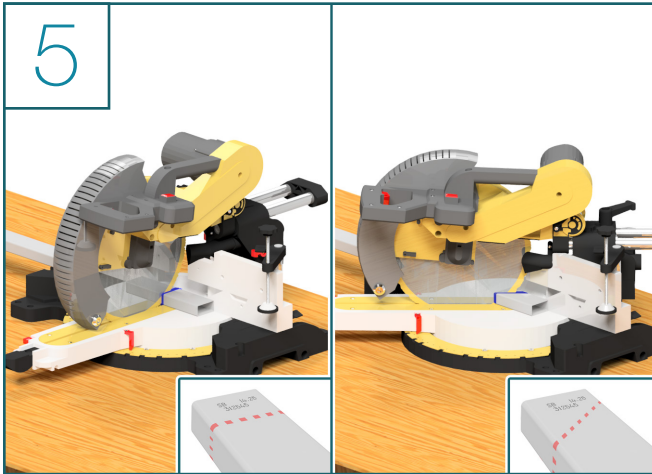
Note: We have found that 35" is an ideal distance for most applications. You will be able to use that measurement for the placement of the wall brackets. The additional height gained by placing the handrail on top of the brackets will normally not exceed building codes.



- Using a stud finder, mark the locations of your studs on the chalk line
- Keep in mind, handrail brackets should be no more than 4 feet apart
- Choose the stud locations you wish to use to mount your brackets on

- Measure your run and determine the length needed for your handrail
- If you are planning on creating mitered wall returns with the handrail, make sure to add 4 1/2" to the overall handrail length you are to be working with - This extra amount will end up being the 2 return sections

Quick Slide Wall Mounted Handrail Installation Steps (Continued)

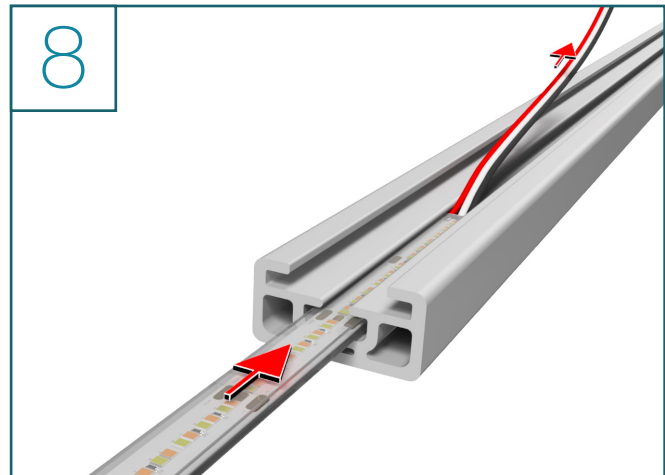
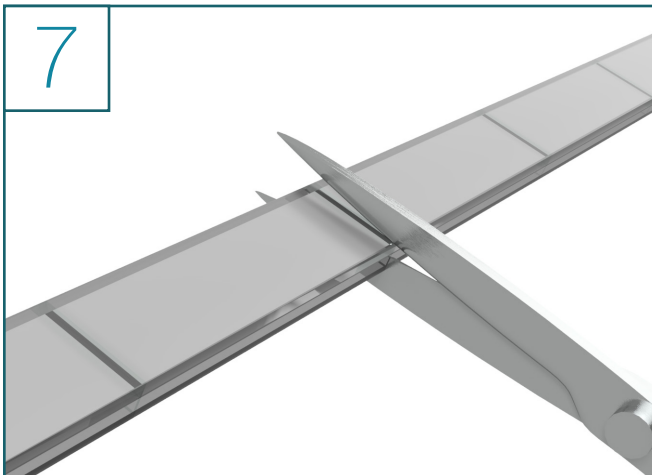


- Mark your handrail & use a miter saw to cut your handrail
- You can use painters tape where you are going to cut to help keep the powder coat intact
- Any miter saw with a good blade or blade rated to cut aluminum will work
- For Mitered returns, orient the handrail the correct way to make sure the returns go the direction you want

Note: Make sure to locate the production marks on one end of each handrail. It will be important to remove that end of each handrail when cutting them to length.

THIS STEP IS ONLY FOR HANDRAIL INSTALLATIONS WITH LEDS

- Utilizing the measurements you took for your handrail, lay out your LED Strips by the corresponding length of handrail
- Make sure to measure from the wire end of the LEDs to the appropriate length and mark on the LED strip
- Once cut, in the following step, the remainder of the LED strip will be discarded



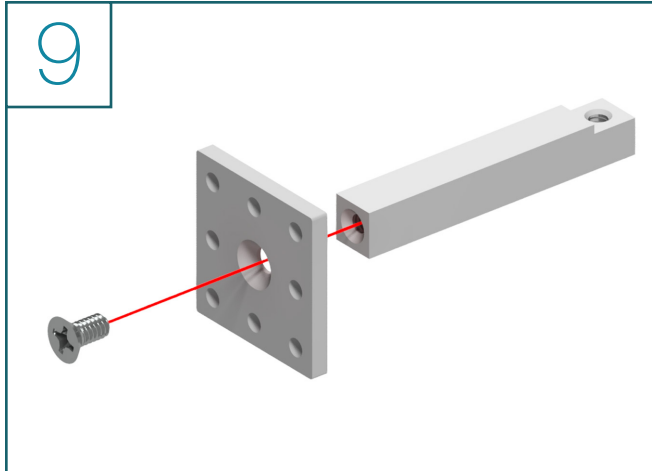
THIS STEP IS ONLY FOR HANDRAIL INSTALLATIONS WITH LEDS

THIS STEP IS ONLY FOR HANDRAIL INSTALLATIONS WITH LEDS

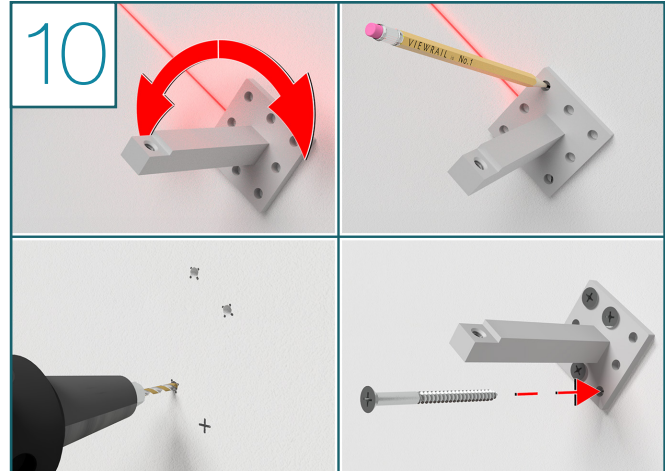
- Cut your LED Strip to the nearest cut point for the length of handrail that you have cut
- The cut points are indicated by black lines on the back
- If your measurement from Step 3 is in between cut lines, then round down to the next cut line
- Seal the cut end with silicone to prevent a short

- After your LED Strips have been cut to length, draw the LED strip through the channel by gently pulling it by the leader wires
- It might be helpful for a partner to gently guide the LED strip in from the opposite side
- After the LED is in place and you are satisfied with its location, use silicone to seal the cut end of the LED strip to prevent moisture intrusion

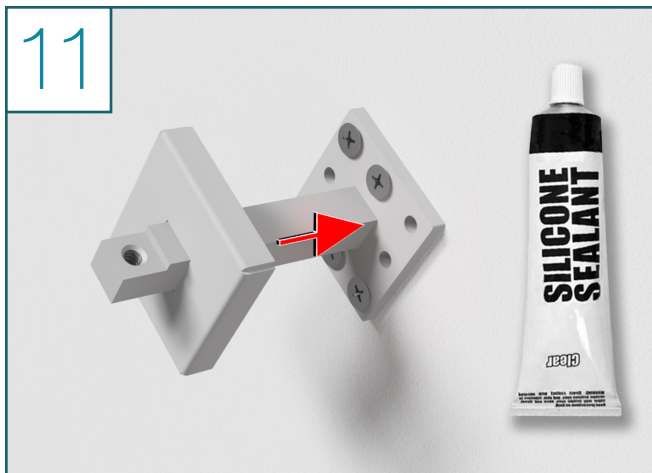
Quick Slide Wall Mounted Handrail Installation Steps (Continued)



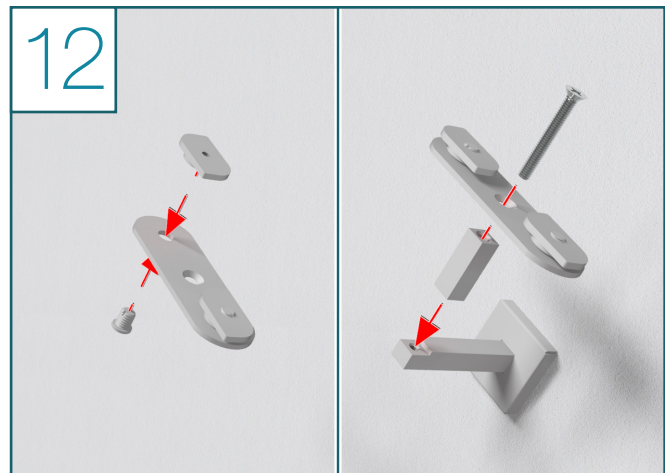
- Using the 1/4" - 20 x 1/2" screw, attach the mounting plate to the base stem



- Align the wall bracket foot with the marked location(s) from Steps 1-3
- Mark the holes that end up being closest to the center line of the stud - Populate as many as possible, Min. of 2
- Pre-drill those marked holes with a 1/8" drill bit
- Use the provided #10 - 13 x 2 1/2" screws to populate the hole locations and secure into the stud

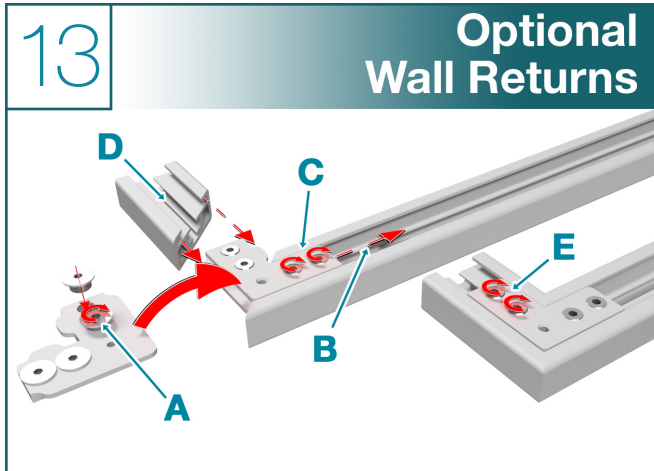


- Slide the Bracket Cover over the stem & into place
- Optional Step: Secure the Bracket Cover in place with Silicone or Epoxy

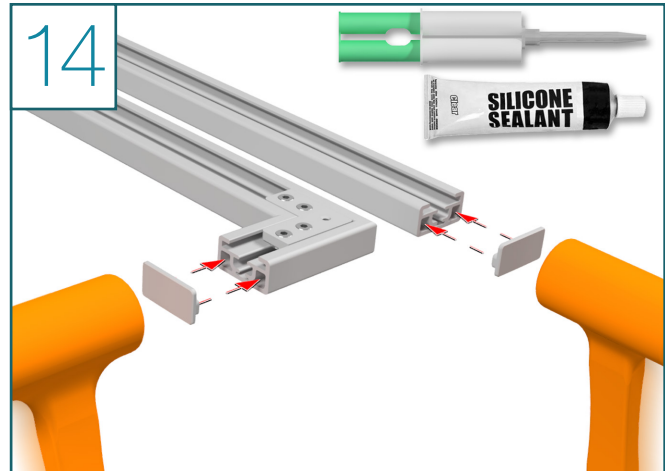


- Assemble the Top Plate of the bracket using the following
 - (1) Quick Slide Top Plate
 - (2) Quick Slide Flat Top Screws
 - (2) Quick Slide T Slot Nuts
- Using the 1/4" - 20 x 2" screw, attach the top bracket and pillar to the base stem
- Repeat Steps 9 - 12 to for the remaining wall brackets

Quick Slide Wall Mounted Handrail Installation Steps (Continued)

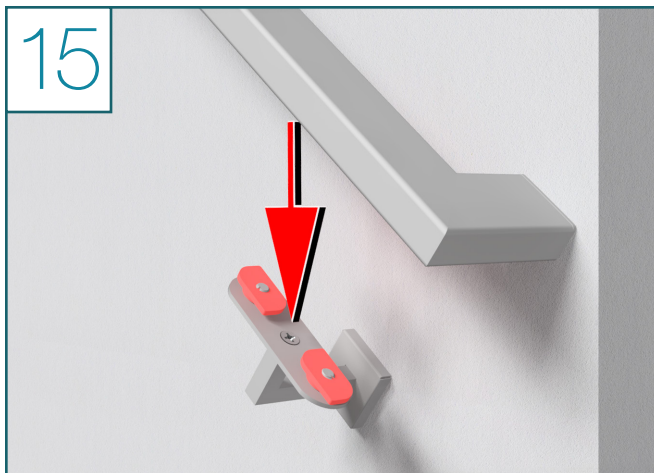


- (A) Thread 4 Top Hat Screws into the Miter Bracket
- (B) Slide the Miter Corner Bracket into the main section of the Quick Slide handrail
- (C) Tighten the 2 Top Hat Screws to secure the Miter Corner Bracket into the main section of the handrail
- (D) Slide one of the smaller mitered sections of handrail on to the Miter Corner Bracket
- (E) Tighten the other 2 Top Hat Screws
- Repeat these steps for the other side of the handrail



- Insert the end caps into the ends of the handrail
- Gently tap them with a dead blow hammer or mallet
- You can use epoxy or silicone to attach them

TIP: If you have LED in the main section of the hand rail, you can use the handrail return to hide the wires. Drill a small hole in one of the End Caps and use it to route the LED lead wires into the wall.



- With the T Slot Nuts in the unlocked position, place the handrail down on to the Wall Mounted Brackets



- When your handrail is in the correct position, turn the T Slot Nuts to wedge them into place inside the channel of the handrail
- Use the 5/32" Allen wrench to tighten the T Slot Nuts against the channel
- The channel will hold the T Slot Nuts in place while the screw turns, tightening the handrail down

Note: To prevent possible corrosion, only use the supplied chrome plated Allen wrench when doing this step

Quick Slide Wall Mounted Handrail Installation Steps (Continued)

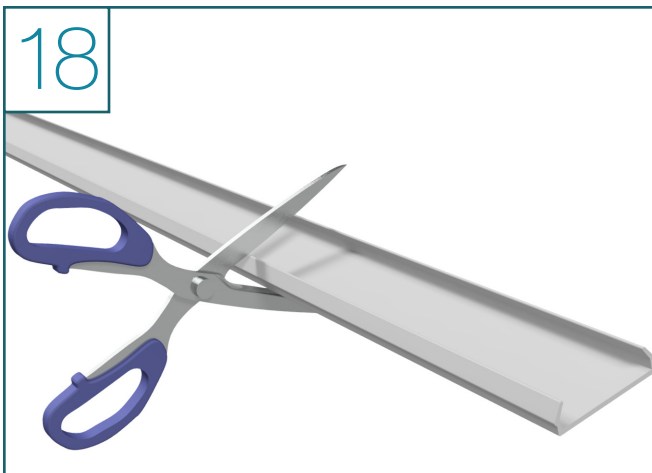
The next 3 steps are only completed if you DID NOT installed LEDs into the Quick Slide Handrail.

If you DID install LEDs into the handrail, then skip these steps and move to the LED Installation Guide in your instruction binder.



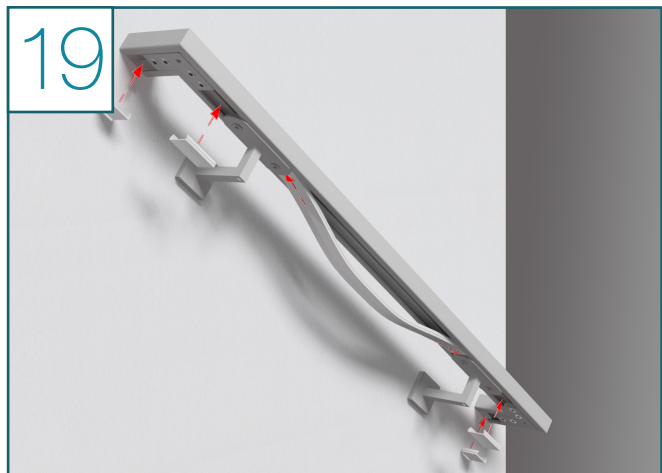
THIS STEP IS ONLY FOR HANDRAIL INSTALLATIONS WITHOUT LEDs

- After the installation of the handrail is complete, it is time to measure the length needed for each section of the Quick Slide Channel Covers - These covers will snap into the under side of the Quick Slide handrail and leave a smooth stylish look
- Looking under the handrail, locate the T Slot Nuts and measure the distance between them
- Write these measurements down as there may be some variation depending on handrail bracket install locations



THIS STEP IS ONLY FOR HANDRAIL INSTALLATIONS WITHOUT LEDs

- Locate the Quick Slide Channel Covers
- Measure and mark where you will make your cuts
- Using a pair of scissors, cut the covers to size



THIS STEP IS ONLY FOR HANDRAIL INSTALLATIONS WITHOUT LEDs

- Clip the covers into space under the handrail as shown

Congratulations! You're done with this section.

We'd love to see your work! Snap a few pics with your phone and send them to pictures@viewrail.com. Thanks for choosing Viewrail. Enjoy your new installation!