



Tools Needed from the Installation Kit



Torque Wrench



1/2" to 3/8" Reducer



3/4" Socket



5/16" Hex Bit Socket



5/16" Hanger Bolt Driver



T-10 & T-30 Torx Bits



ThreadLocker



T-30 Torx Socket

Other Tools and Supplies Not Included in the Installation Kit

- Drill/Hammer Drill
- Impact Driver/Socket Wrench
- Pencil
- Level
- T-Square
- 3/8" Wood Drill Bit (*Wood Install Only*)
- 9/16" Concrete Drill Bit (*Concrete Install Only*)
- 11/16" Forstner Bit (*Wood Install Only*)
- Wood Glue
- Concrete Epoxy (*Concrete Install Only*)
- Silicone Sealant

Things to Know Before You Get Started

- Read over the provided material prior to the start of your installation
- Ensure to apply the supplied Threadlocker to all mechanical connections



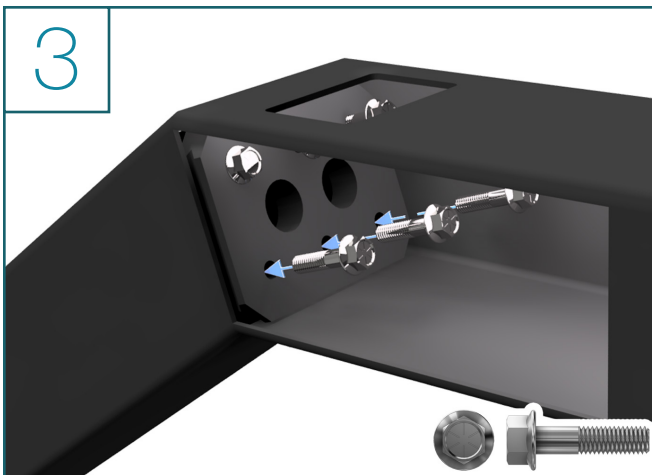
U-Shape Thru-Bolt Stringer Installation Steps



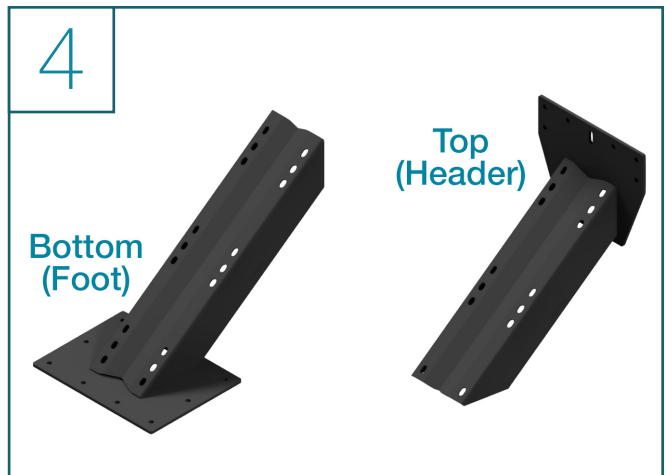
- Locate the stringers and measure them to make sure they match the prints provided to you during the engineering approval process



- Identify and prepare the two halves of the hockey stick

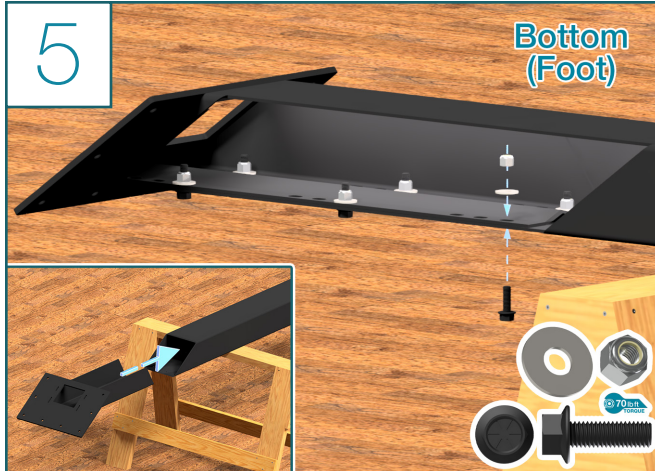


- Using the access hole & the provided 1/2"-13 x 2" bolts, attach the stringer tubes together
- Use a standard wrench at this point to tighten the bolts, but do not over tighten, some adjustability may be needed in following steps



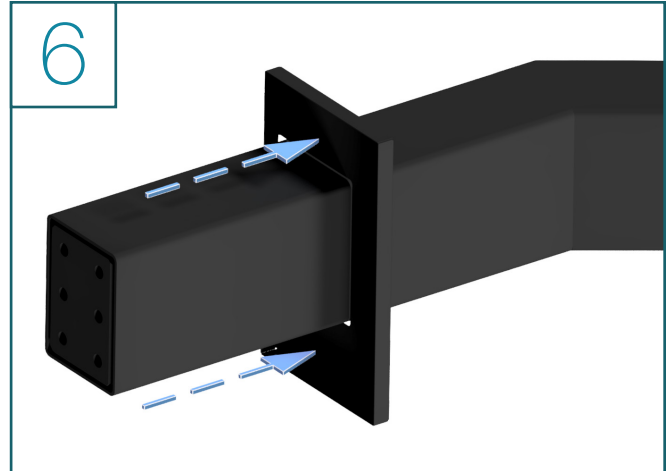
- Identify the Foot from the header insert

U-Shape Thru-Bolt Stringer Installation Steps (Continued)

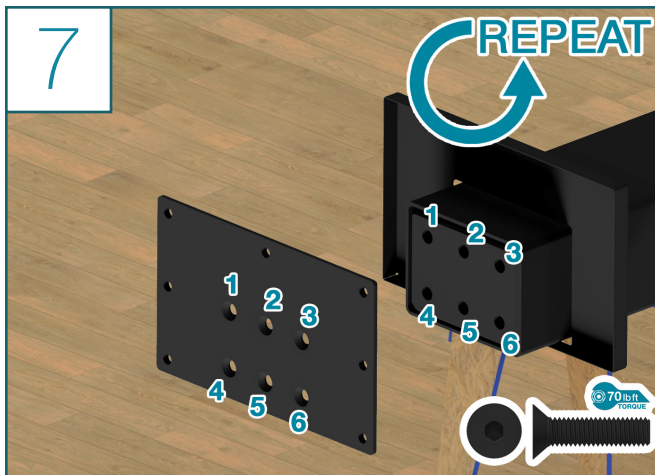


Side Panel of Stringer Body cut away to show detail

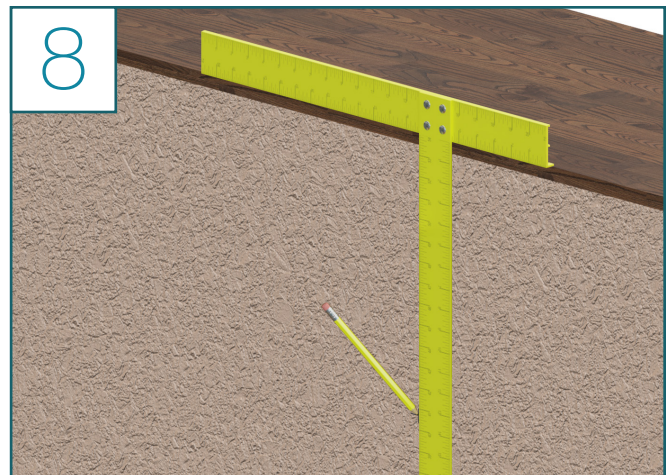
- Slide the Foot insert into the stringer body
- Line up the holes
- Use the access hole at the end of the stringer body to fasten the insert.
- Run the (6) 1/2" x 1 1/2" Flange Bolts through the outside of the stringer and then the insert. Reaching inside the stringer, place the (6) 1/2" washers onto each bolt, followed by (6) 1/2" Nylon Lock Nuts
- Torque to 70 lb-ft



- Slide the cover plate over the top end of the stringer, paying attention to its orientation
- The thin section will end up on top of the stringer

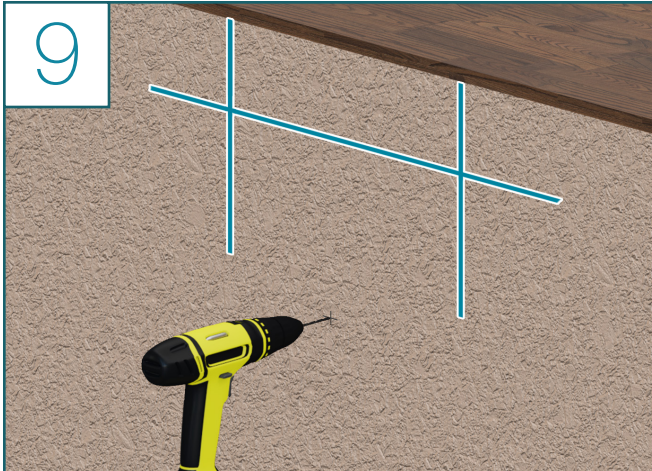


- Use the 1/2" x 2" Flathead Bolts to attach the floor plate to the stringer
- Torque to 70 lb-ft

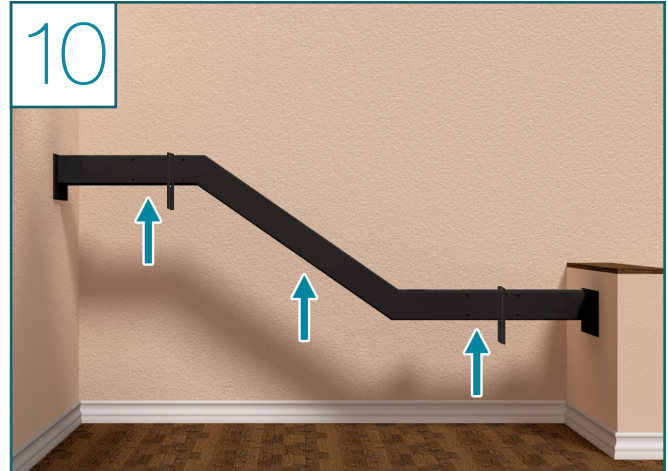


- Use the provided drawing(s) to mark the wall & header plate dimensions
- At this point, mark a predrill location for the slotted hole in your header plate
- Repeat steps for each stringer mounting location

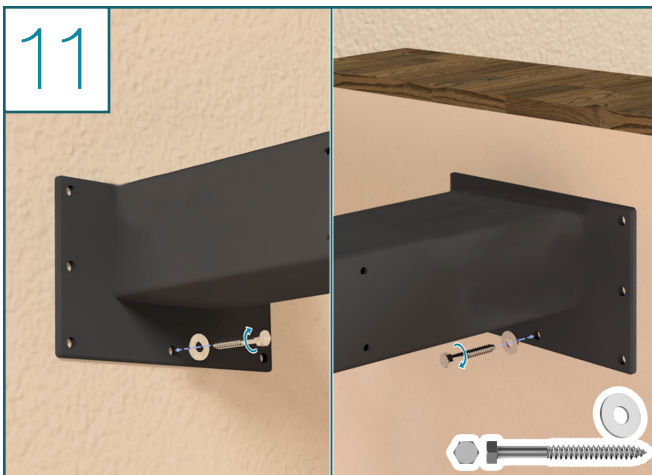
U-Shape Thru-Bolt Stringer Installation Steps (Continued)



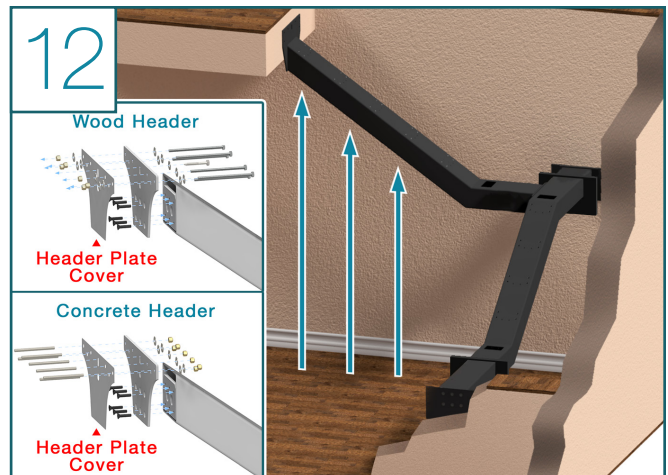
- Predrill a single mounting hole with a 3/8" drill bit, for each plate
- Repeat steps for each stringer mounting location



- Hoist the middle stringer into place
- We recommend using either a pulley system or a Come Along Winch and brace material to hold the stringer in place while fastening



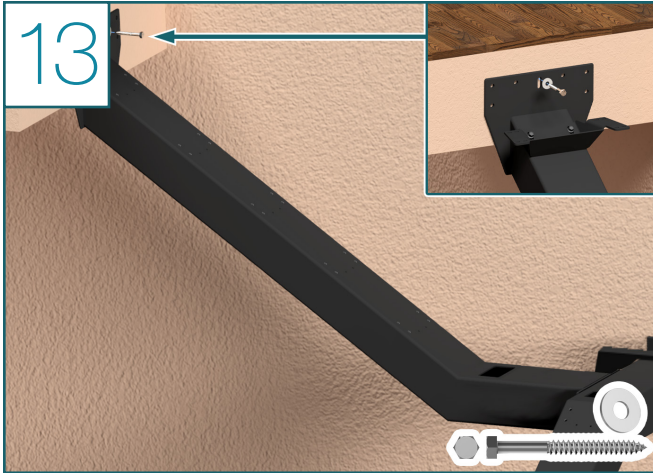
- Fasten the 1/2" x 3 1/2" Hex Lag through the middle slotted hole in the header & footer plate to hold the stringer in place



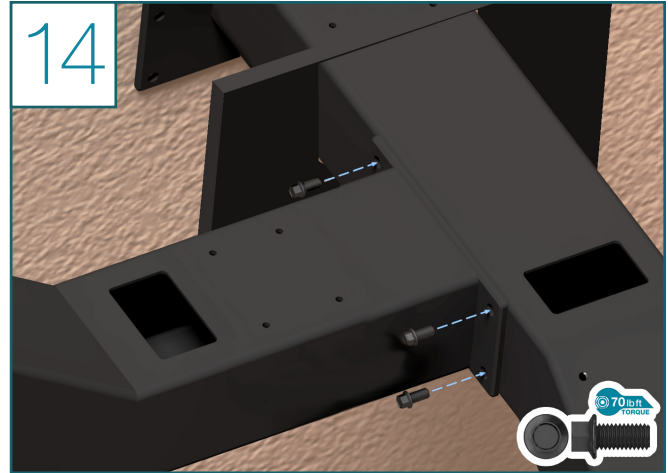
- Hoist the upper stringer into place
- We recommend using either a pulley system or a Come Along Winch and brace material to hold the stringer in place while fastening

Note: Make sure to place the Header Plate Covers in between the Header Plate and the mounting surface.

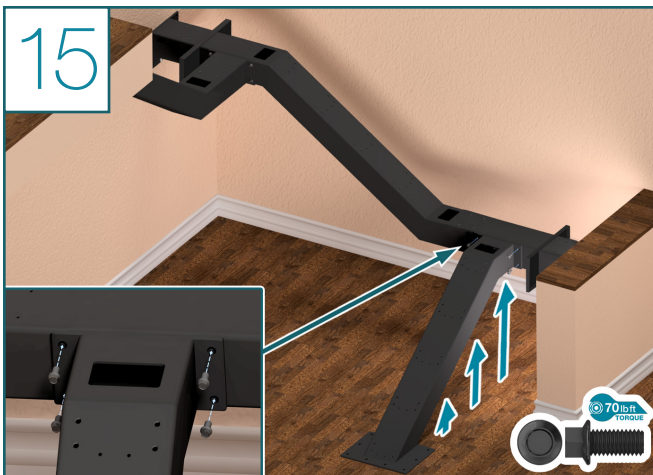
U-Shape Thru-Bolt Stringer Installation Steps (Continued)



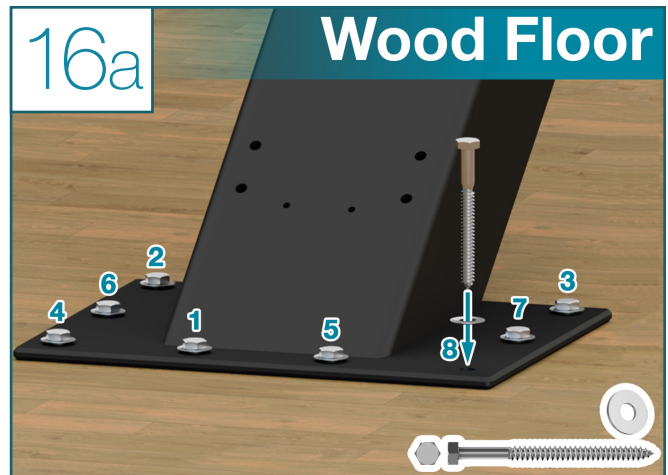
- Fasten the 1/2" x 3 1/2" Hex Lag through the middle slotted hole in the header plate to hold the upper stringer in place



- Using the 1/2" x 1" Flange Bolts, attach the upper stringer's lower plate to the middle stringer
- Torque to 70 lb-ft



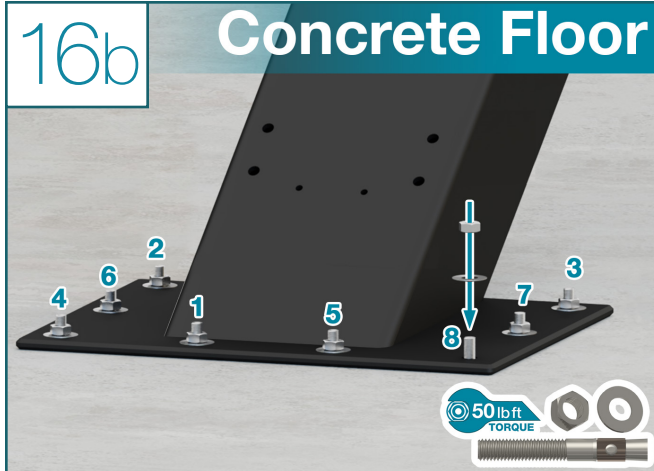
- Hoist the lower stringer into place
- We recommend using either a pulley system or a Come Along Winch and brace material to hold the stringer in place while fastening
- Using the 1/2" x 1" Flange Bolts, attach the lower stringer's upper plate to the middle stringer using the access hole in the stringer
- Torque to 70 lb-ft



Lower Stringer Floor Mount

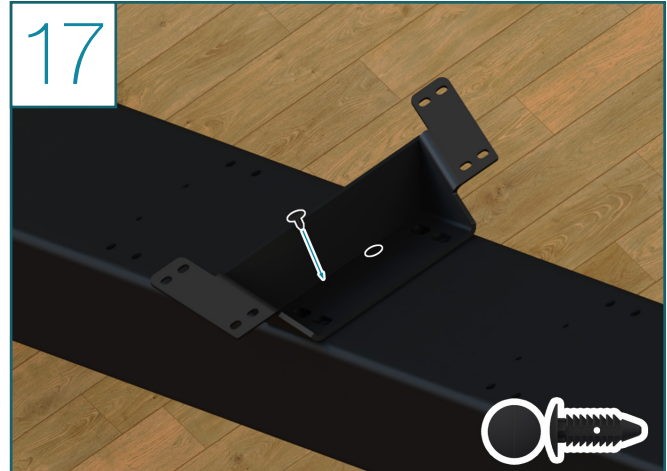
- Predrill your footer plate holes with a 3/8" drill bit
- Thread the 1/2" x 5" head lags into place

U-Shape Thru-Bolt Stringer Installation Steps (Continued)

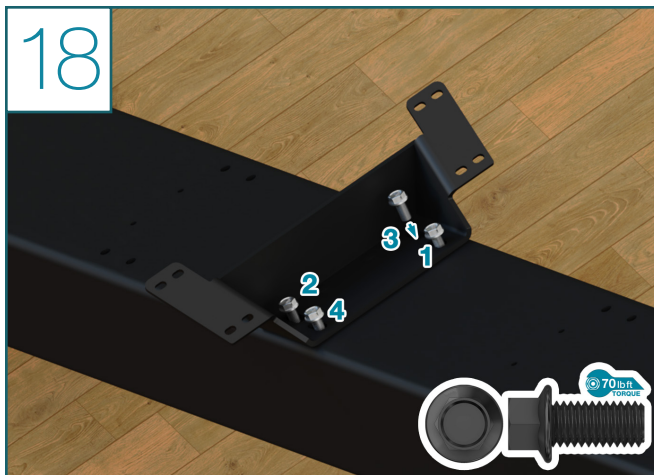


Lower Stringer Floor Mount

- Drill 1/2" holes for the concrete wedge anchors
- Insert a concrete wedge anchor into each hole
- Torque to 50 lb-ft



- Place all tread brackets on the middle stringer
- Insert Christmas Tree Rivets to hold the tread brackets in place

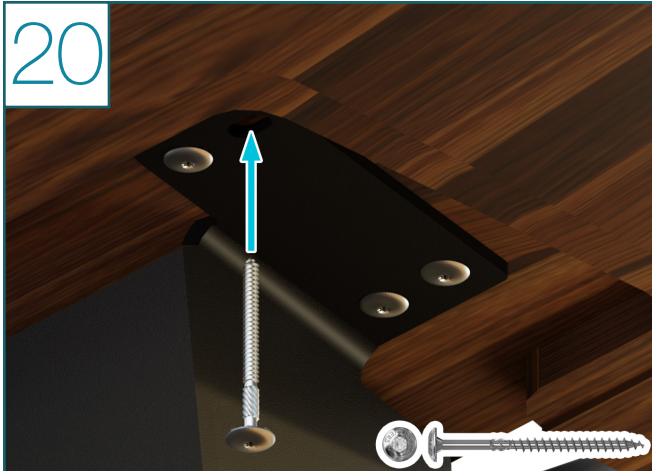


- Thread the 1/2" x 1" flange bolts through the tread bracket and into the stringer in the marked order, so they are finger tight
- Torque to 70 lb-ft



- Identify one of the middle treads by comparing the labels on the bottom of each to the Wood Install sheet in the front of this packet
- Place a single one of those treads on to one of the tread brackets about half-way up the stringer

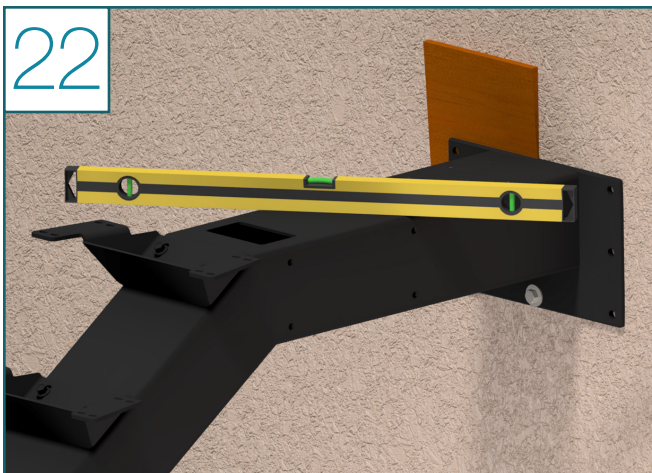
U-Shape Thru-Bolt Stringer Installation Steps (Continued)



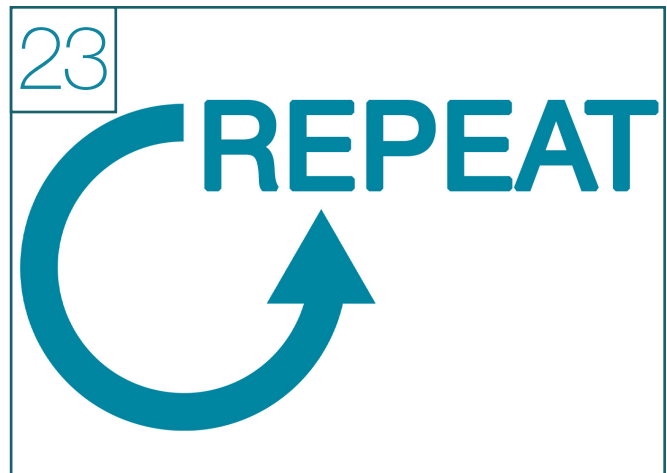
- Using the $\frac{5}{16}$ " x $2\frac{1}{2}$ " RSS Screws, attach the tread to the tread bracket
- During this step, alternate sides of the bracket when fastening screws - this will prevent the tread from pulling unevenly



- Ensure the tread is level on the tread bracket both front to back and left to right

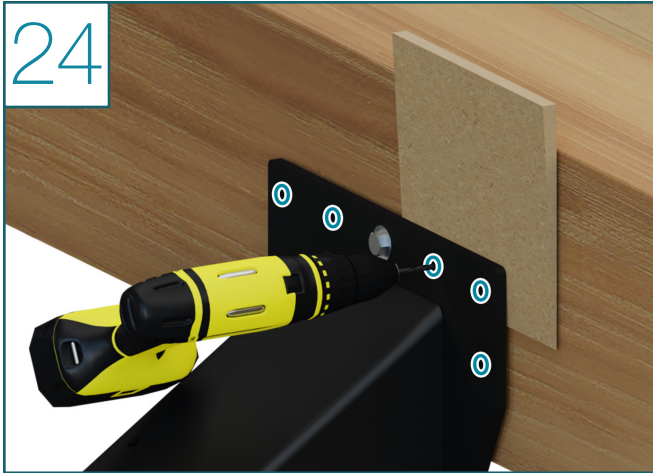


- If not level left to right, shim the header plate to adjust
- If not level front to back, shim the footer plate to adjust
- Cut the excess shim away
- Predrill through the header plate holes with a $\frac{3}{8}$ " drill bit
- At this point, predrill all your header plate holes using a $\frac{1}{2}$ " bit



- Repeat Steps 17-22 for the upper & lower stringers

U-Shape Thru-Bolt Stringer Installation Steps (Continued)

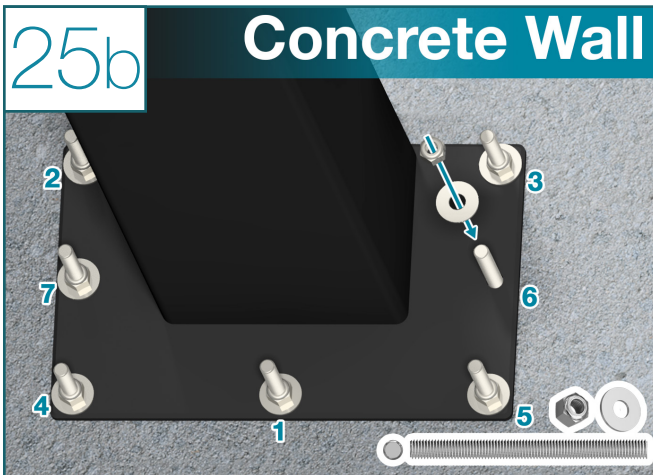


- At this point you can predrill all your header plate holes
- Through Bolt**
- Predrill utilizing a 1/2" drill bit
- Lag Bolt**
- Predrill utilizing a 3/8" drill bit



Lower & Upper Stringer Wall Mount

- Thread the 1/2" x 8" hex head bolts into place
- Do this for both
- Slide the cover over the wall plates, you may want to use a dab of silicone on each of the bolts



Lower & Upper Stringer Wall Mount

- Refer to the recommendation of the brand of epoxy you are using and predrill the correct sized holes for these 1/2" threaded studs
- Apply concrete epoxy in to the holes
- Insert the threaded studs into each hole
- Allow for the appropriate amount of curing time, for the epoxy, based off of the manufactured recommendations
- Slide the cover over the wall plates, you may want to use a dab of silicone on each of the bolts



Upper Stringer Header Mount (2 mounting styles)

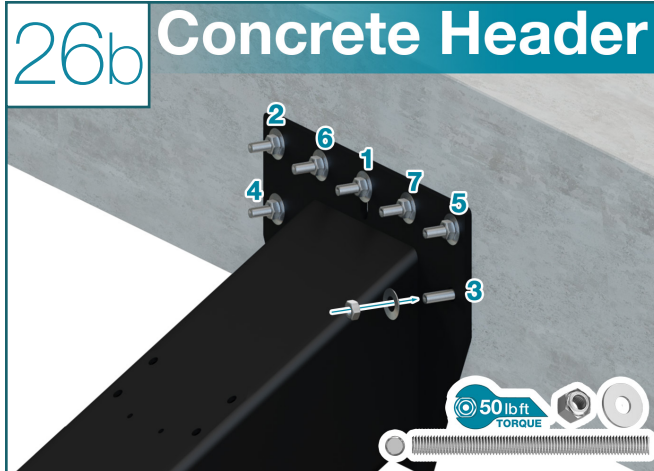
Through Bolt

- Thread the 1/2" x 8" hex head bolts into place, so they are finger tight
- Torque to 70 lb-ft

Lag Bolt

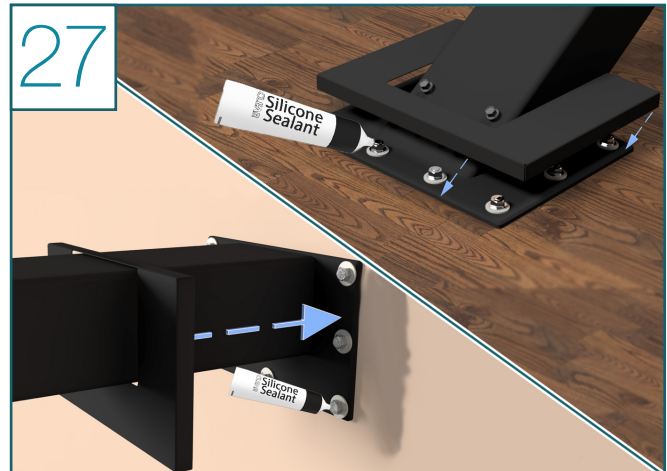
- Thread the 1/2" x 5" head lags into place

U-Shape Thru-Bolt Stringer Installation Steps (Continued)



Upper Stringer Header Mount

- Refer to the recommendation of the brand of epoxy you are using and predrill the correct sized holes for these 1/2" threaded studs
- Apply concrete epoxy in to the holes
- Insert the threaded studs into each hole
- Torque to 50 lb-ft

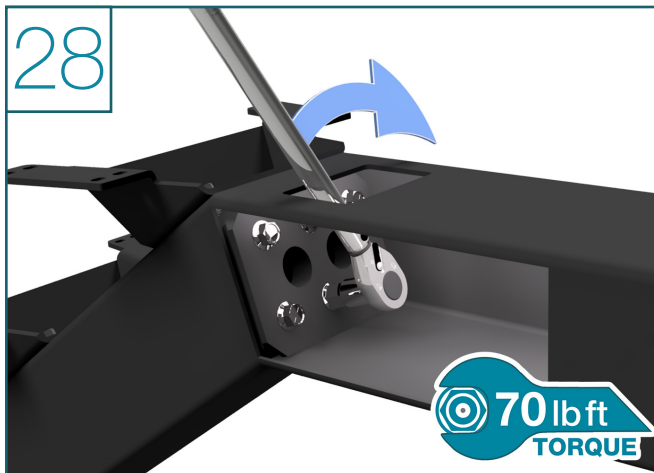


Upper Bracket Cover Installation

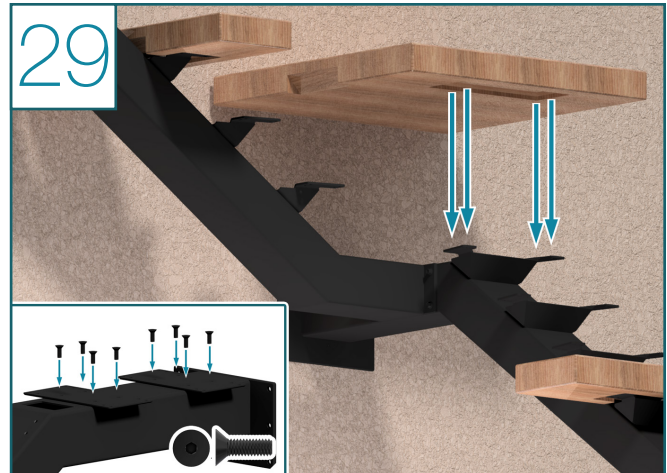
- Apply silicone sealant to the tops of the lags
- Carefully slide the cover over the wall plate

Lower Bracket Cover Installation

- Locate the lower bracket cover
- Apply silicon sealant to the tops of the lags or mounting hardware and install cover



- Using a Torque Wrench, tighten the internal stringer connection bolts, that you installed in Step 3
- Torque to 70 lb-ft
- Do this for all internal stringer connections

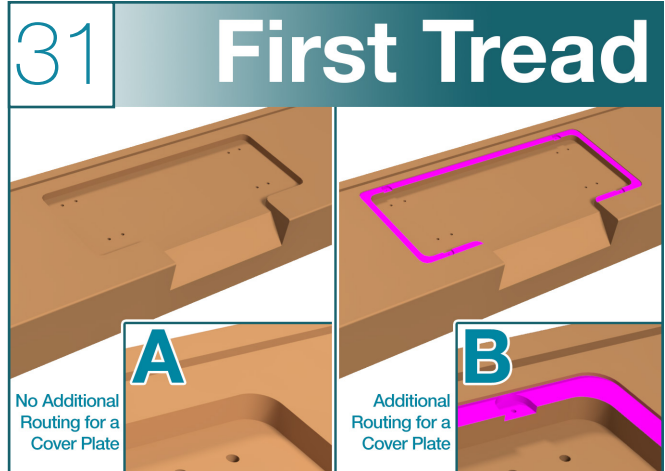


- Using 5/16" - 18 x 1" mount & attach the Landing Plates
- Position the landing making sure that the platform lines up with the tread bracket and landing plates

U-Shape Thru-Bolt Stringer Installation Steps (Continued)



- Using the $\frac{5}{16}$ " x 2 $\frac{1}{2}$ " RSS Screws, attach the platform to the landing plates
- During this step, alternate sides of the bracket when fastening screws - this will prevent the tread from pulling unevenly



- Identify the first tread by comparing the labels on the bottom of each to the Wood Install Sheet in the front of this packet
- Compare your first tread to the graphic above
- If your tread looks like **Fig. A**: Continue to the next step
- If your tread looks like **Fig. B**: Skip the next 2 steps



THIS STEP IS ONLY FOR FIRST TREADS WITHOUT EXTRA ROUTING (FIG. A)

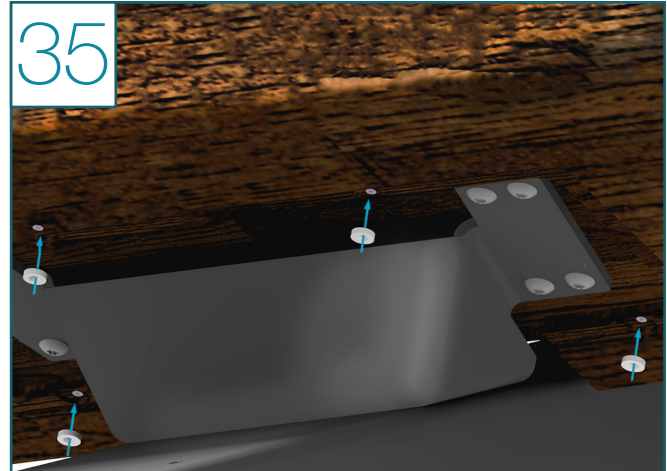
- Using the $\frac{5}{16}$ " x 2 $\frac{1}{2}$ " hanger bolts, populate the first tread holes
- Mount the first tread on to its tread plate
- The first tread mounts differently to the tread bracket than the rest of the treads



THIS STEP IS ONLY FOR FIRST TREADS WITHOUT EXTRA ROUTING (FIG. A)

- Using a nut, tighten the tread to the tread bracket

Switchback Stringer Installation Steps (Continued)



- Repeat Steps 19-21 to fasten the remaining treads, one at a time, onto the tread brackets

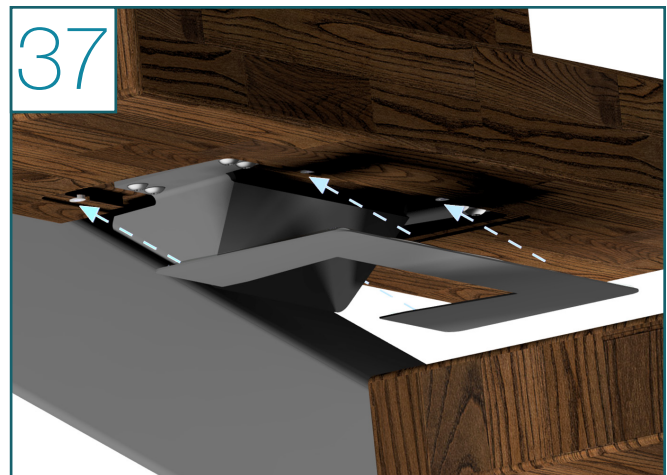
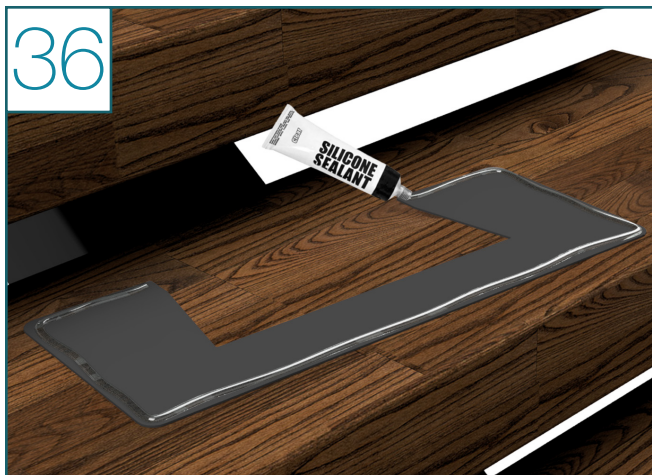
First Tread (Step 31 Fig B)

- If your tread looks like **Fig B** in Step 31, it will install similar to the rest of the treads
- Due to the space constraint that will exist between the bottom of the first tread and the flooring, you will need to use a socket wrench & the provided Torx socket to drive the (4) $\frac{5}{16}$ " x $2\frac{1}{2}$ " RSS screws

- Once your treads are in place, locate the tread bracket cover magnets and place all 4 magnets on the head of the magnet screws which are already factory installed (LED Treads will have 8 magnets)

Note: The magnets are strong enough to stick to the head of the screw and hold the tread bracket cover while the silicone (next step) dries.

- The first tread will not typically receive a bracket cover and will not have the additional routing



- Next find your tread bracket covers and lay them out.
- Locate and prep your silicone tube
- Run a bead of silicone around the edge of the tread cover, or the edge of the routed section on the tread, whichever you prefer

- Set the bracket cover in place. The magnets in the treads will hold the cover tightly, and the silicone will prevent rattling and create a tight fit
- Wipe off any excess silicone that might squeeze out

Congratulations! You're done with this section.

We'd love to see your work! Snap a few pics with your phone and send them to pictures@viewrail.com. Thanks for choosing Viewrail. Enjoy your new installation!