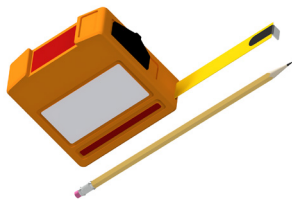


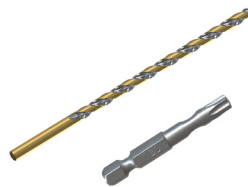
Tools Needed for this Installation



Tape Measure & Pencil



Drill



$\frac{3}{32}$ " Wood Bit and T-30 Bit



Glass Suction Cup Handles



Socket Wrench



$\frac{1}{2}$ " Socket



Torque Wrench



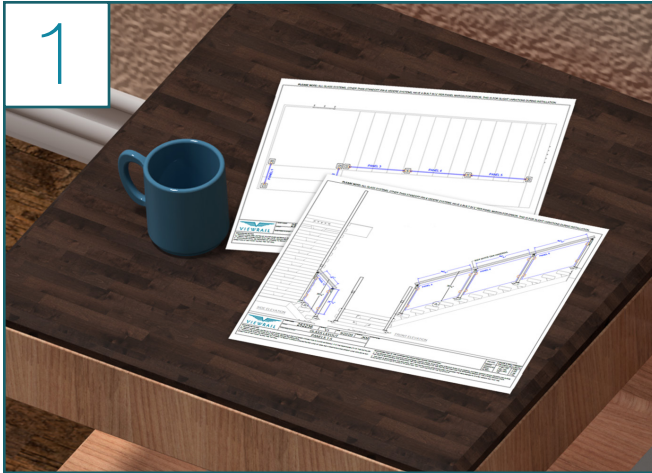
Glass Cleaner

Things to Know Before You Get Started

- Read over the provided material prior to the start of your installation

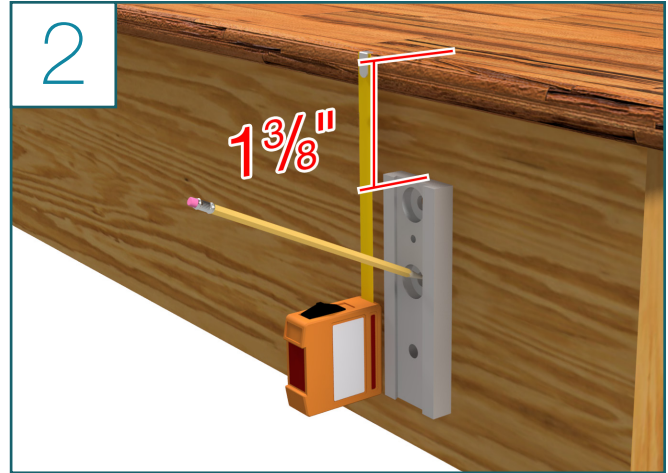


Side Mount Ascend Talon Installation Steps



1

- Refer to your project drawing for proper talon placement
- It will be helpful to measure and mark the talon placement for each talon on the fascia



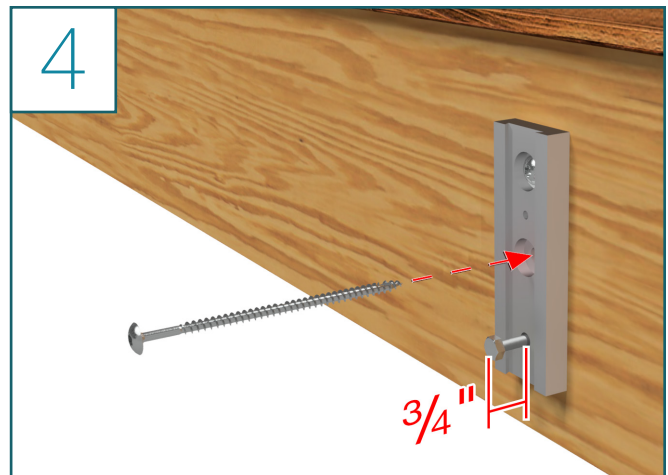
2

- Place the dovetail plate into position, making sure the plate is square
- The top of the plate should be $1\frac{3}{8}$ " beneath the surface of the deck
- If you are mounting on a skirt board / side of stairs, you will need to move the plates and mount wherever creates a 36" handrail height
- Mark each mounting hole with a pencil



3

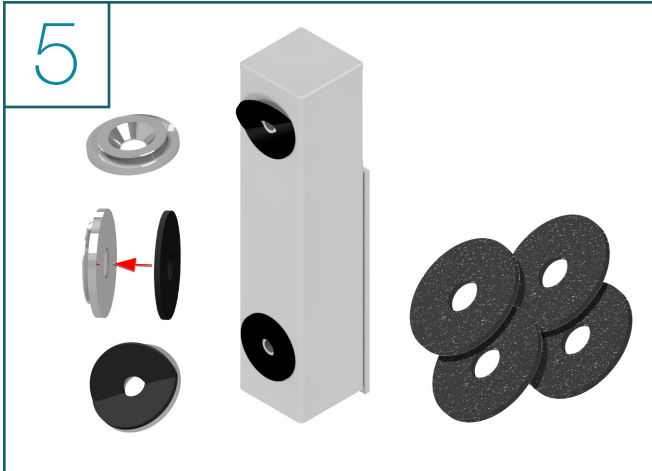
- Using $\frac{3}{32}$ " drill, drill the top two holes 5"
- Using a $\frac{3}{32}$ " drill, drill the bottom hole $3\frac{1}{2}$ "



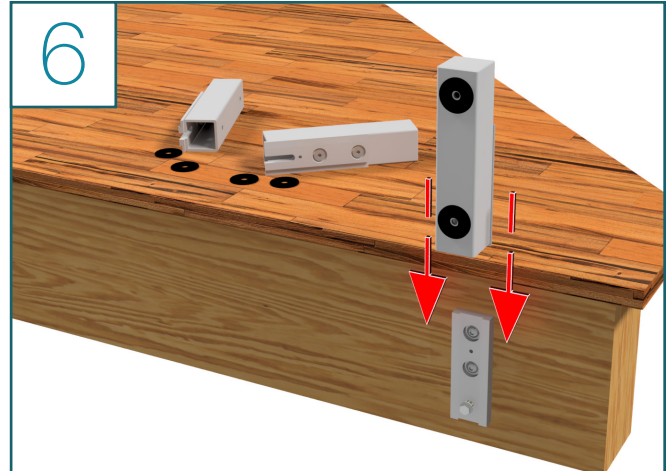
4

- Use the T-30 drill bit to begin fastening the $\frac{5}{16}$ " x 5" wood lags into the top two holes of the dovetail plate
- For the bottom hole, fasten the $\frac{5}{16}$ " x 4" lag bolt, leaving $\frac{3}{4}$ " of an inch sticking out
- Shim as needed until plumb

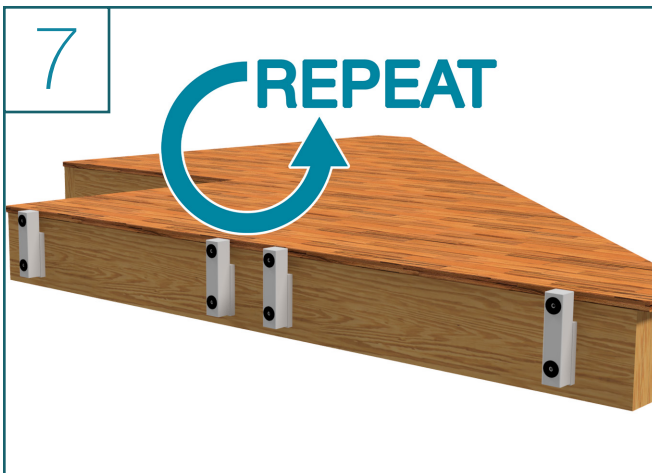
Side Mount Ascend Talon Installation Steps (Continued)



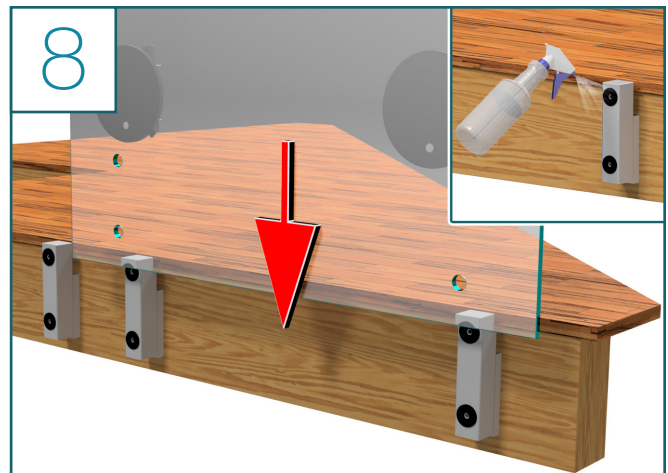
- Peel and stick 2 Glass Gaskets onto the Ascend Talon
- Peel and stick 2 Glass Gaskets onto the Dovetail Washers



- Once the dovetail plate is mounted, take the main body of the talon, and slide it into place
- The talon should slide and stop in place on the lowest lag
- Tighten the bottom lag as needed to tighten the talon

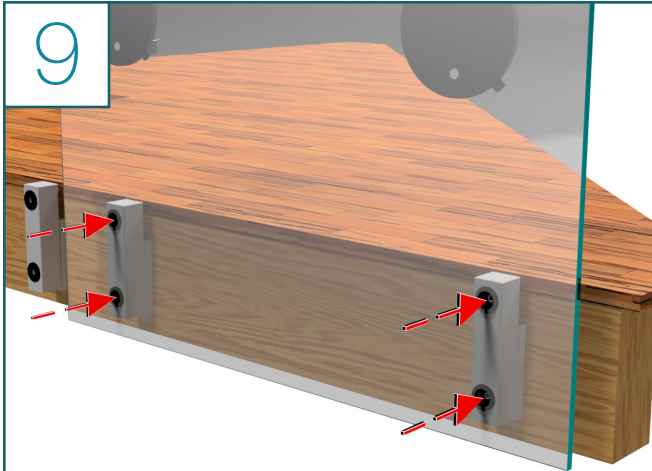


- Repeat steps 2-6 for the remaining talons on the run
- Ensure the talons are level to each other

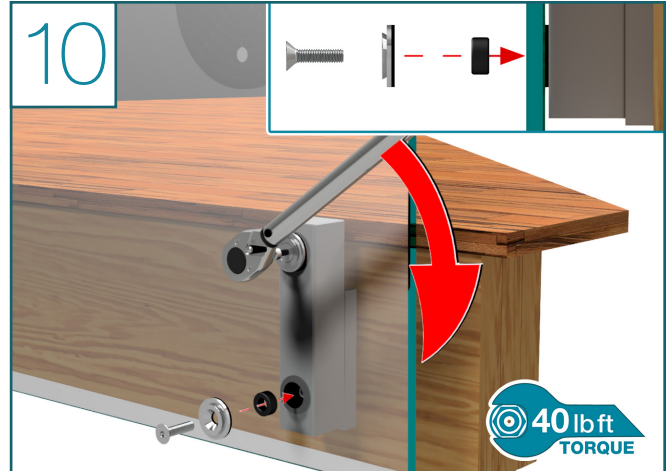


- Refer to your engineering drawings to locate the panel to install
- Using the glass suction cups, grab and move the panel into place
- Use a glass cleaner and spray the gaskets before setting the glass
- This will help lubricate the gasket and make your placement easier

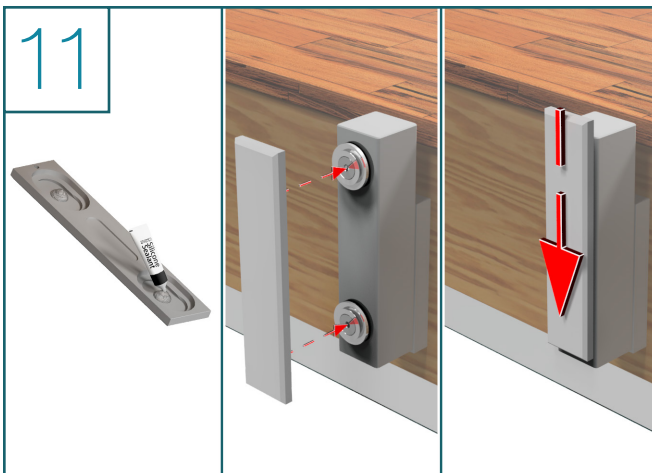
Side Mount Ascend Talon Installation Steps (Continued)



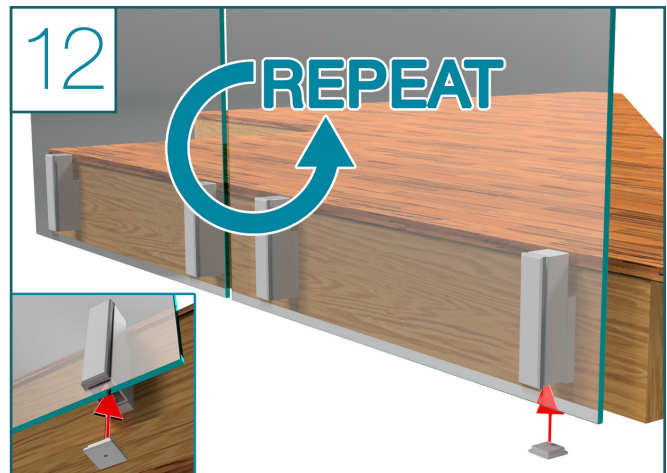
- Hold the glass in place lining up the holes in the glass with the holes in the talons



- With the glass panel being held in place, insert the bolt into the
- Using a torque wrench with a $\frac{3}{8}$ " hex head, torque to 40 lb ft
- Make sure the $\frac{3}{8}$ " head is fully seated into the bolt to avoid stripping the bolt
- Do not over torque



- Apply silicon to the Slim Talon Cover
- Align the cover with the Dovetail Washers
- Slide the cover down, over the Dovetail Washers until you feel it snugly in position



- Use a dead blow hammer to press in the bottom plug
- Repeat steps 8-12 for all the panels on your run talon and through the glass

Congratulations! You're done with this section.

We'd love to see your work! Snap a few pics with your phone and send them to pictures@viewrail.com. Thanks for choosing Viewrail. Enjoy your new installation!