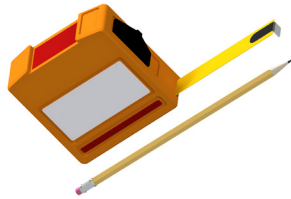


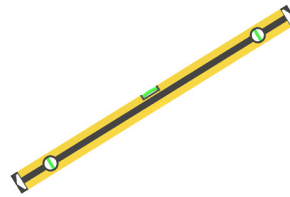
Tools Needed for the Installation



Chalk Line Tool



Tape Measure & Pencil



Level



Drill & 3/16" Drill Bit



T-30 Torx Bits



3/16" Allen Wrench



Silicone Sealant



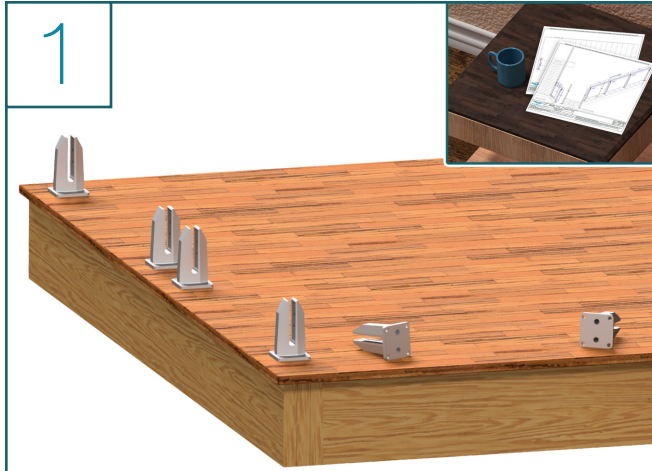
Glass Suction Cup Handles

Things to Know Before You Get Started

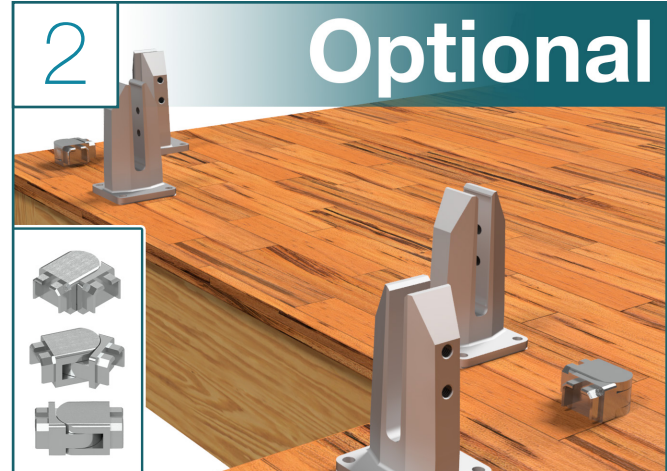
- Read over the provided material prior to the start of your installation
- This is, at minimum, a 2 person job
- Viewrail Glass systems and fittings are normally designed to have a 1" gap between panels of glass



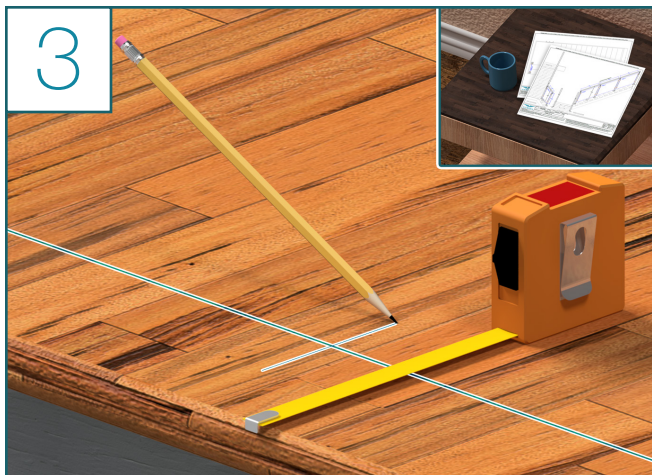
Surface Mount Glass Talon Installation Steps



- Before beginning, refer to your layout and compare the layout with the actual environment
- It will be useful to set up your Surface Talons on each run before continuing
- Site conditions may have changed
- Measuring and laying out your Surface Talons first will help ensure a smooth installation
- This will also help identify your starting points for a chalk line



- If applicable, when identifying your Surface Talon Placements, corners should be double checked
- For any 90° or 45° corners, it will be useful to:
 - 1) Set your talons in place
 - 2) Refer to your layout & mark where each panel will end
 - 3) Use the 90° or 45° Glass Cap Couplers to make sure there is enough space in between panels
- If necessary adjust talon placement, ensuring to adjust the entire affected run

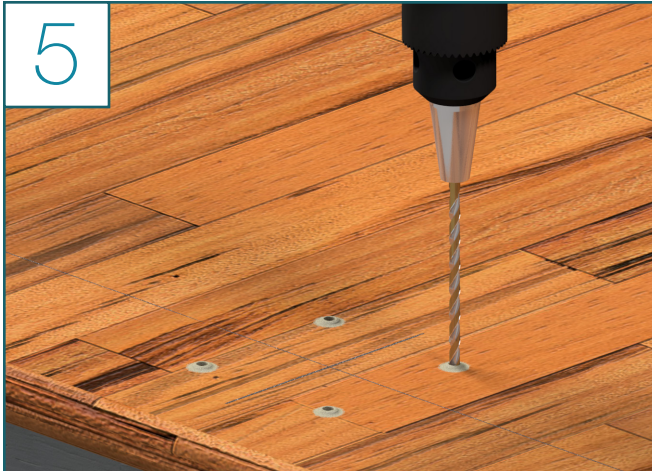


- Once completed, refer to your drawing and your set up Talons
- Snap a chalk line where the glass will need to run
- Make sure the glass line is far enough back from any nosing so the Surface Talon can mount into blocking
- Using the layout and hardware provided, identify, set up, and mark the center of where each talon will sit

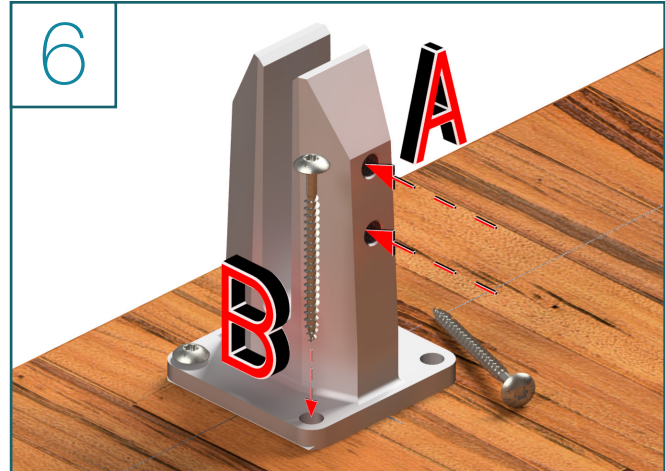


- Take the talon and center it on that mark
- Mark the hole placements

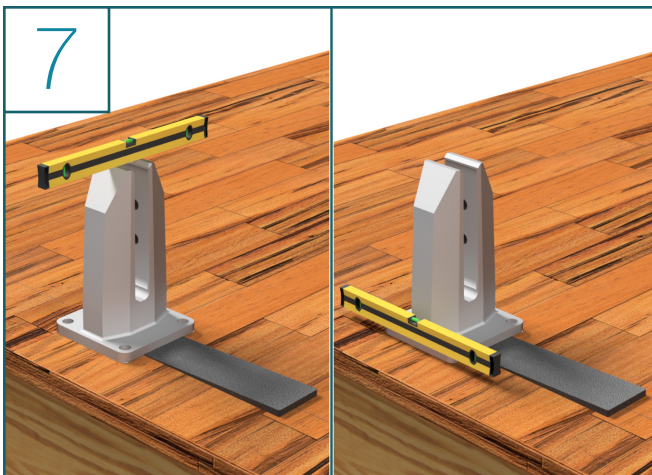
Surface Mount Glass Talon Installation Steps (Continued)



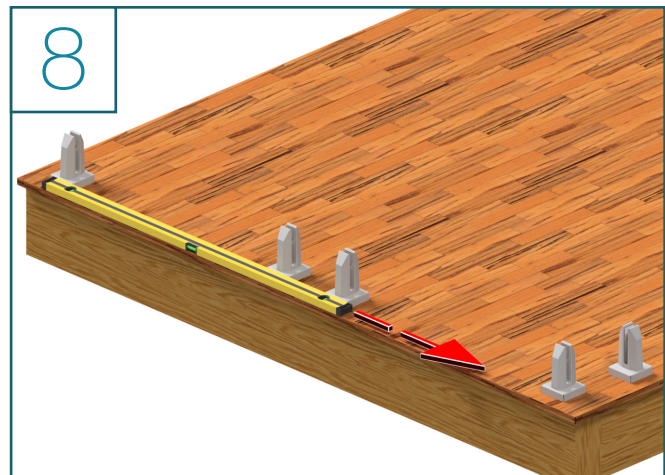
- Using a $\frac{3}{16}$ " drill bit, drill a pilot hole for each marked location
- Pilot holes must be at least $3\frac{1}{2}$ " deep when using 4" mounting screws



- It is easiest to install this system when the bolts holes (A) used to adjust the panel are facing an easily accessible location
- Set your talon accordingly
- Using the T-30 Torx Bit, screw the post mounting screws (B) down into your mounting structure

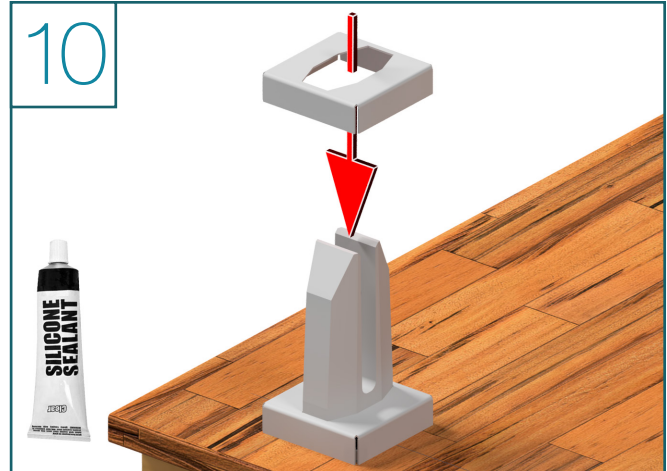
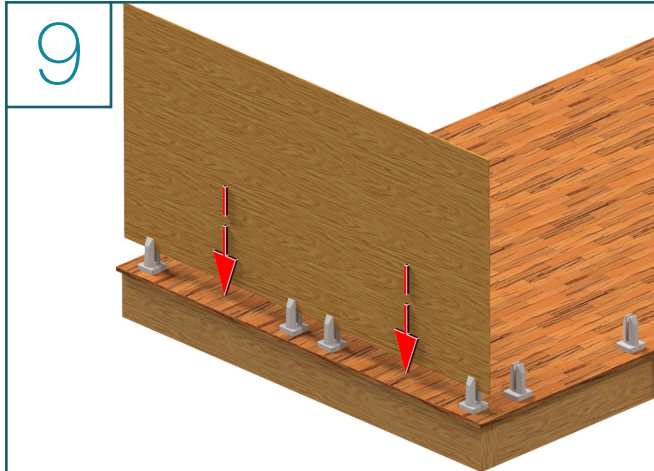


- It is important to make sure your Surface Talon is very level at this point
- Use a spirit level (or comparable alternative) to see if the talon is level
- If the talon needs adjustment, back the screws out enough to use the composite shims to adjust
- Adjust and repeat as needed, and break off any excess shim material



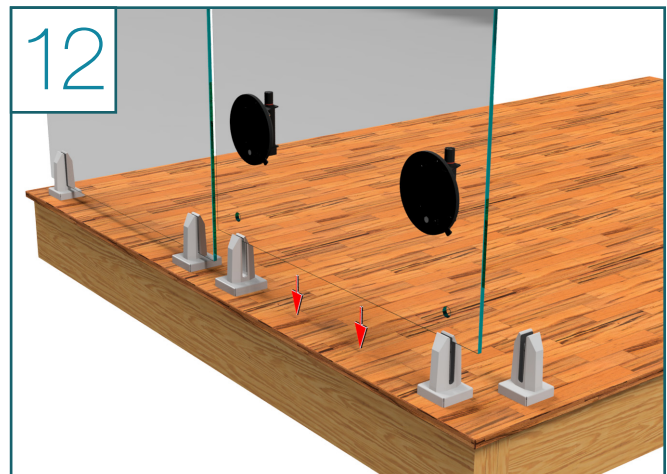
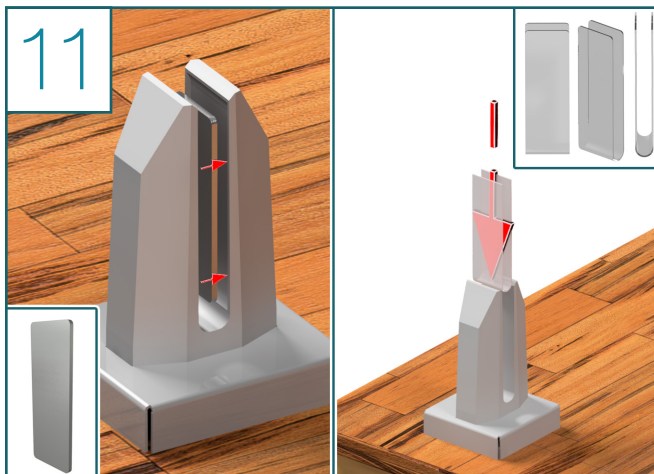
- Repeat steps 1-7 for the talons on this run
- Make sure the talons all line up on the run to ensure the best possible outcome

Surface Mount Glass Talon Installation Steps (Continued)



- It is very helpful to use a piece of straight $\frac{3}{4}$ " plywood to drop into two consecutive talons as a test to ensure they are in line with each other
- When dropping in the $\frac{3}{4}$ " plywood, there should be no pressure or significant resistance
- If there is, it is likely the talons are not square to each other and will create pressure on your glass panel

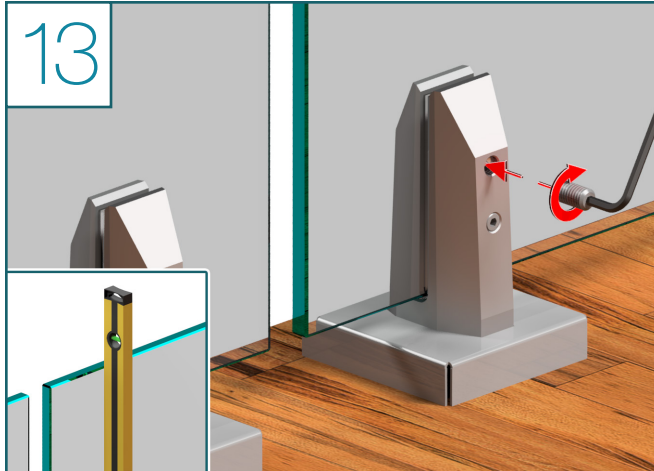
- Slide the foot cover in place over the talon
- You can use silicone, epoxy or equivalent to hold the foot cover in place



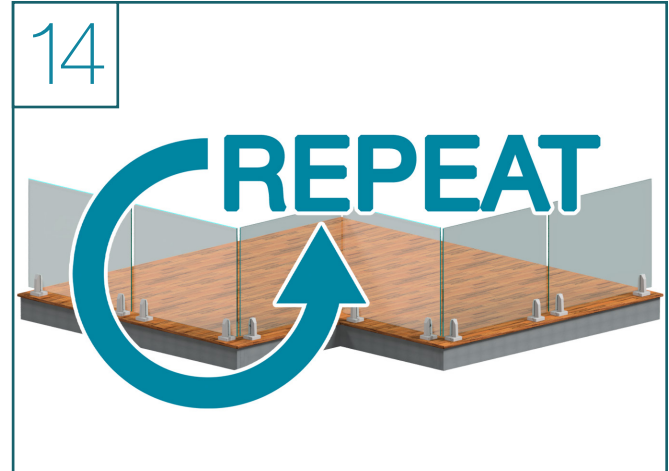
- Place the steel pressure plate into each talon
Tip: For your next step of installing the glass, it is very important to keep the glass from hitting sharp edges or corners. Make sure you are setting the glass straight down into the talon grip.
- Slide the Polycarbonate Gasket into place as shown

- Refer to your engineering drawings to locate the panel to install
- Using the glass suction cups, grab and move the panel into place
- Remember to avoid hitting edges or corners and to drop the glass straight down into the talons

Surface Mount Glass Talon Installation Steps (Continued)



- With the glass panel in place, use the $\frac{3}{16}$ " Allen wrench to tighten the two set screws in the talon
- You can adjust the level of the glass by alternately loosening or tightening the screws
- Use a level towards the top of the panel to help adjust your level



- Repeat steps 11-13 for all the panels on your run

Congratulations! You're done with this section.

We'd love to see your work! Snap a few pics with your phone and send them to pictures@viewrail.com. Thanks for choosing Viewrail. Enjoy your new installation!