



Surface Mount Post Installation Guide

Look for this sticker on hardware bags

STRUCTURE



Level Surface Mount Post Installation

Tools and Supplies needed for this installation

- Drill
- $\frac{3}{16}$ " Drill Bit (Standard Install)
- T-30 Torx Bit (Provided)
- Chalk Line Tool
- Tape Measure
- Pencil
- Post Level (Provided)
- String (Provided)

Surface Mount Post Installation Video Tutorial

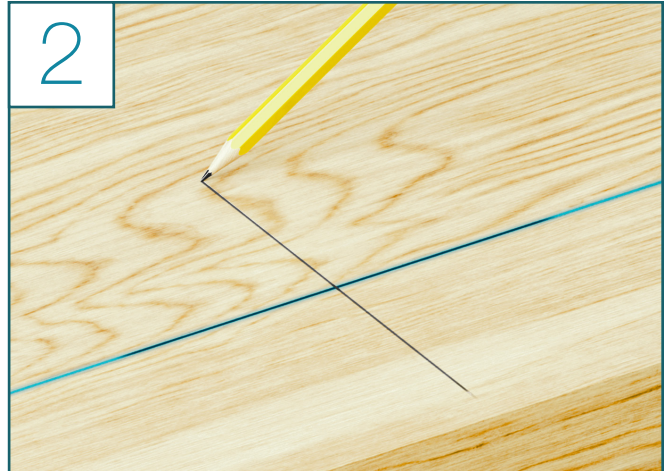
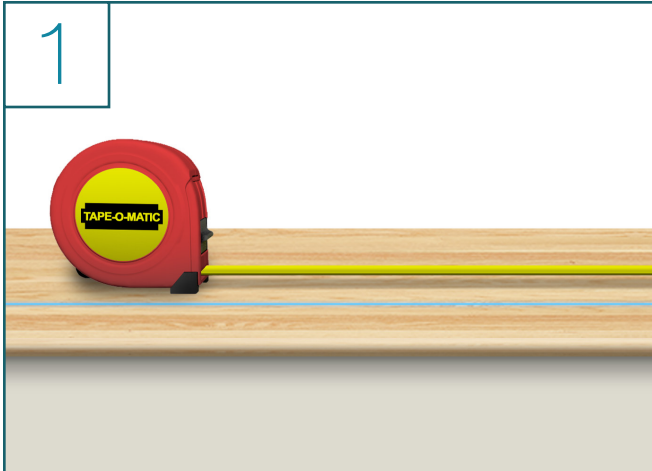


Things to Know Before You Get Started

- Read over the provided material to identify post types
- If installing Rod Posts, ensure that the foam blocks are inside the posts before beginning your rod railing installation
- Surface Mount Posts require 4" of blocking for structural integrity
- All posts are designed to be mounted to a non-compressible surface. They will not mount properly to drywall or carpet

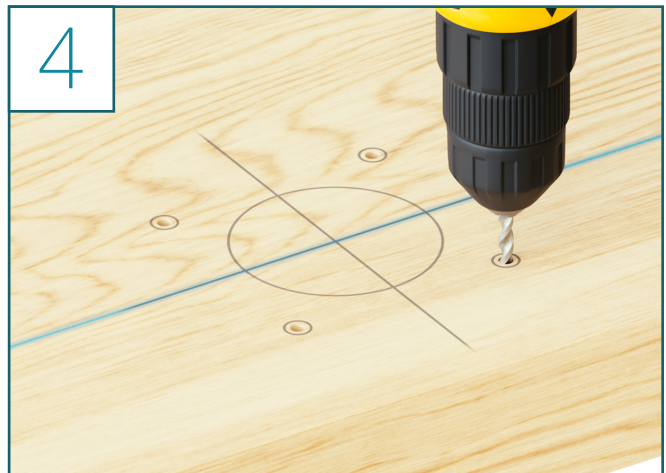
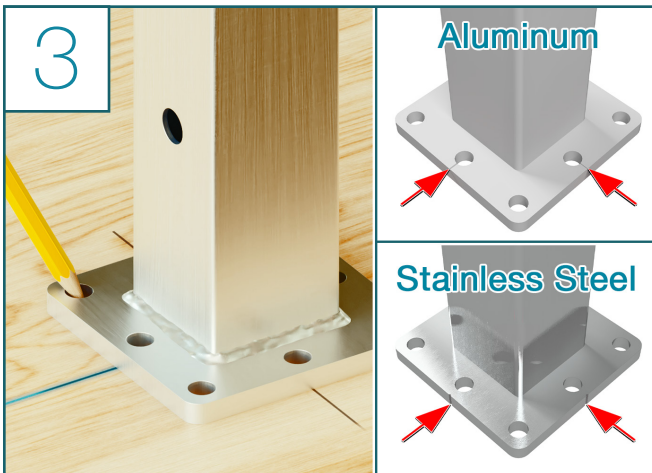


Level Surface Mount Post Installation Steps



- Using your provided project layout identify the run you want to do first
- Measure and snap a chalk line to mark the run

- Using the layout provided and a tape measure, mark the center of where you want to mount each post

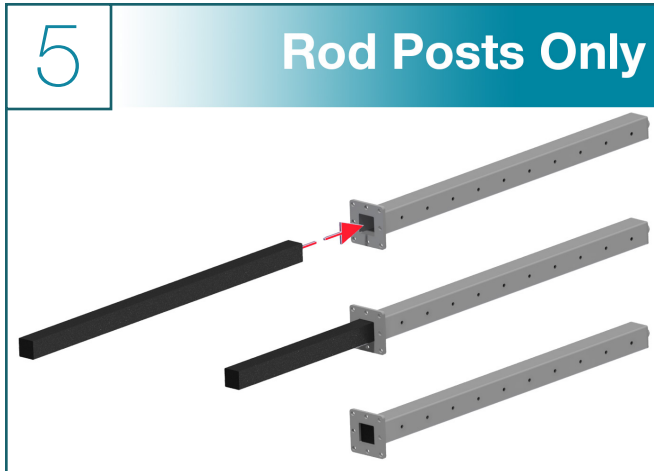


- Take the post and center it on your chalk line
- If the foot plate has marks, these can be used to orient the post properly
- Mark the hole placements
- At least four holes must be populated, with at least one hole on each side
- Set the post aside

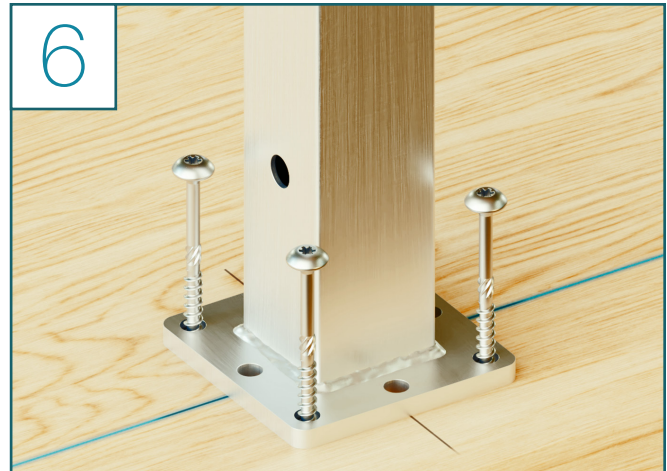
- Using a $\frac{3}{16}$ " drill bit, drill a pilot hole for each marked location
- Pilot holes must be 3" deep when using $3\frac{1}{2}$ " mounting screws or 2" when using $2\frac{1}{2}$ " mounting screws

Note: It is possible with our textured powder coats, that the mark lines on the Aluminum post feet may be hard to see.

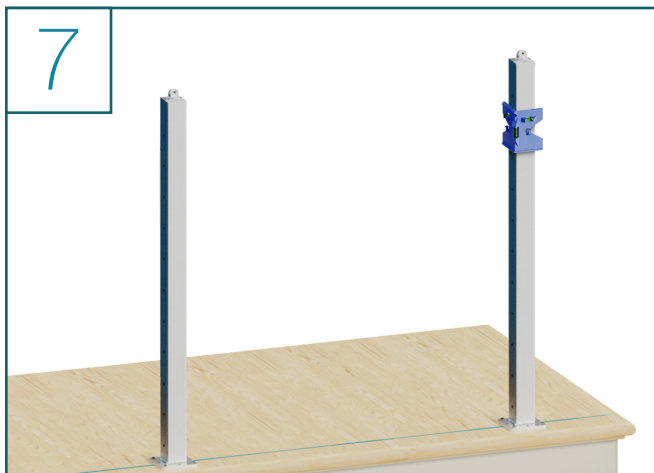
Level Surface Mount Post Installation Steps (Continued)



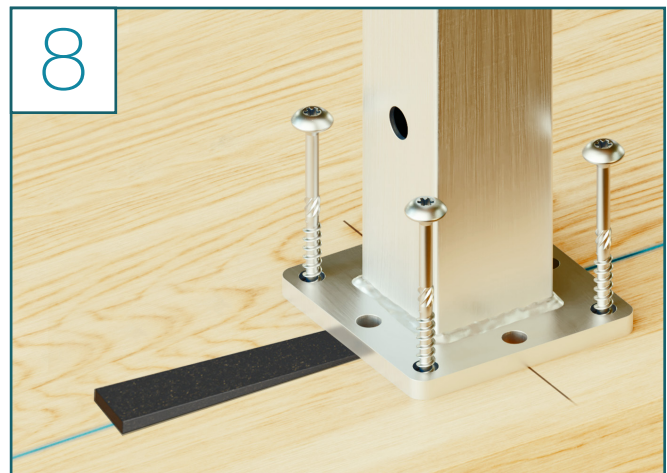
- Slide the Foam Insert into each post
- This ensures that the rods will not rattle & make noise



- Using the T-30 Torx Bit, screw the post mounting screws down snug through the post foot

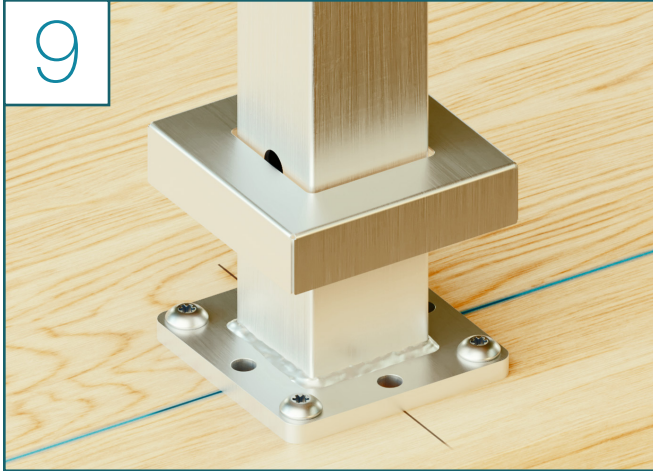


- Use the post level to make sure the post is plumb



- If the post isn't level, back out mounting screws and use provided shims
- Snap off any excess shim material

Level Surface Mount Post Installation Steps (Continued)

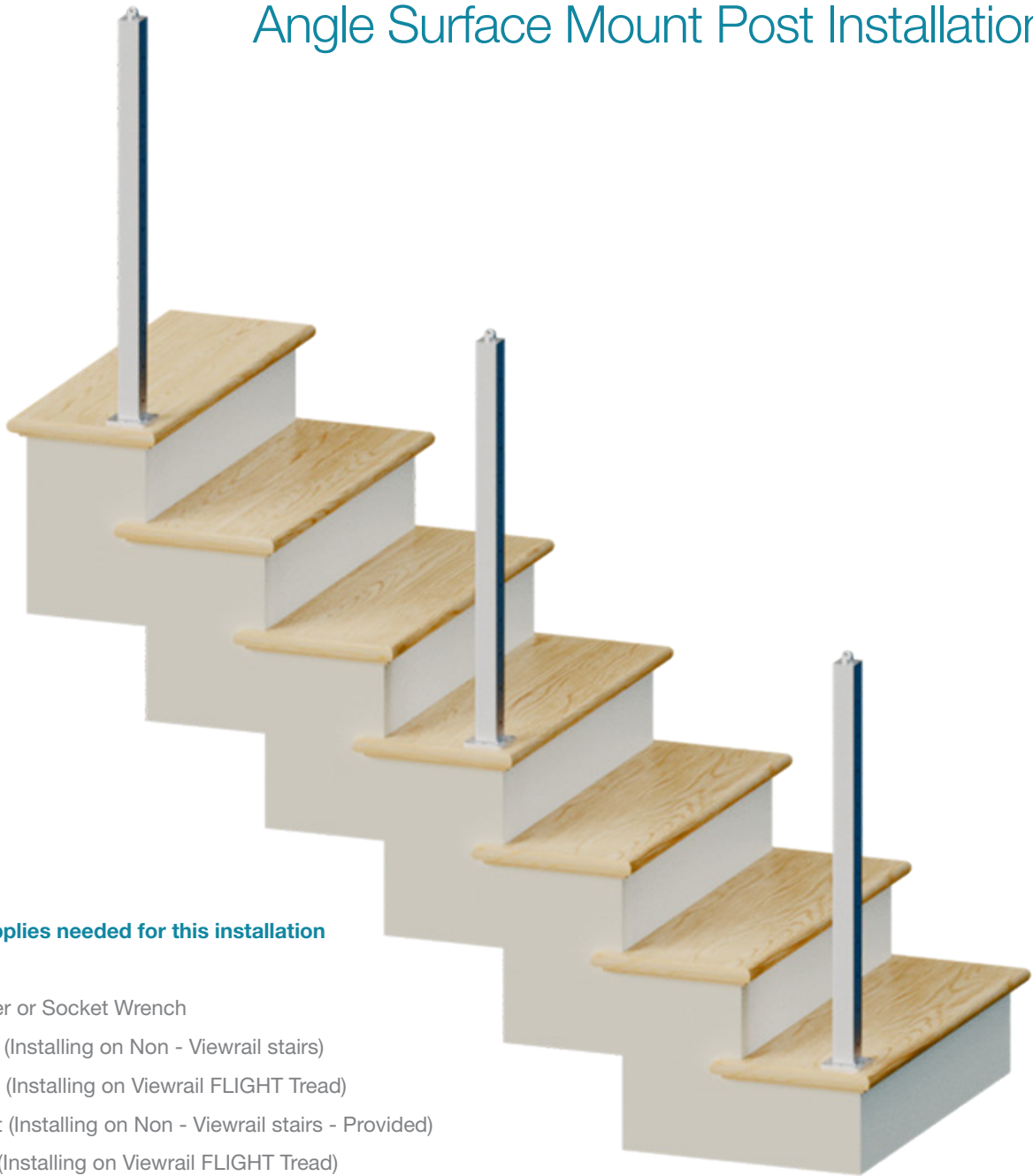


- Slide the Post Foot Cover over the Foot

Congratulations!
You're done with this section.

We'd love to see your work! Snap a few pics with your phone and send them to pictures@viewrail.com. Thanks for choosing Viewrail. Enjoy your new installation!

Angle Surface Mount Post Installation



Tools and Supplies needed for this installation

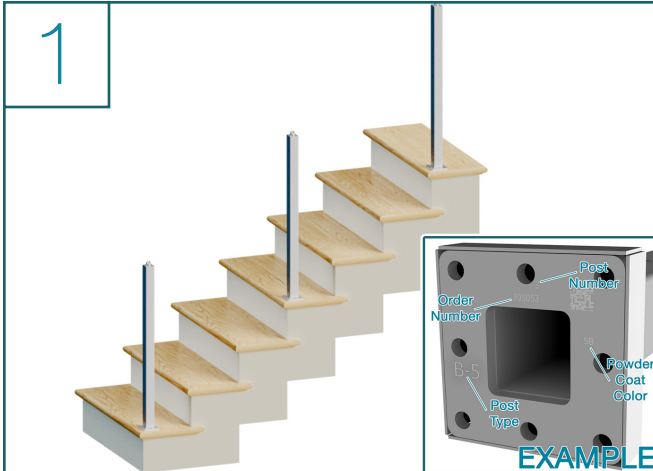
- Drill
- Impact Driver or Socket Wrench
- $\frac{3}{16}$ " Drill Bit (Installing on Non - Viewrail stairs)
- $\frac{13}{64}$ " Drill Bit (Installing on Viewrail FLIGHT Tread)
- T-30 Torx Bit (Installing on Non - Viewrail stairs - Provided)
- $\frac{7}{16}$ " Socket (Installing on Viewrail FLIGHT Tread)
- Chalk Line Tool
- Tape Measure
- Pencil
- Post Level (Provided)
- String (Provided)

Things to Know Before You Get Started

- Read over the provided material to identify post types
- If installing Rod Posts, ensure that the foam blocks are inside the posts before beginning your rod railing installation
- All posts are designed to be mounted to a non-compressible surface. They will not mount properly to drywall or carpet



Angle Surface Mount Post Installation Steps



- Identify the posts needed for the stairs and set them in place according to your project layout
- Unless otherwise specified, the posts should sit just behind the tread nosing

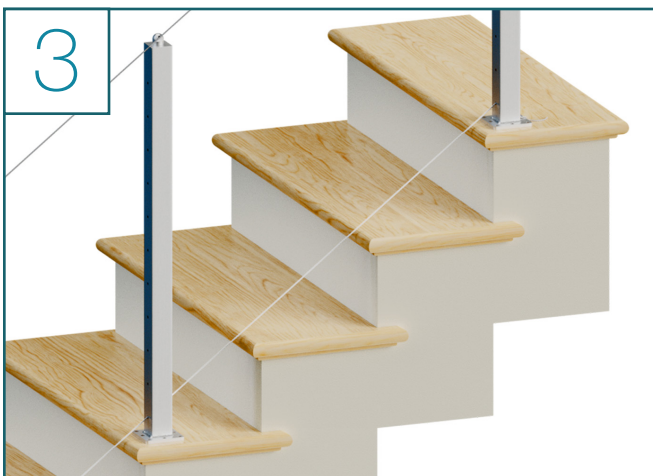
Note: The edge of the post foot should be no closer than 1" to any edge of the tread

*Note: If you are using a **BC** or **BR** post on a stair run, the **BC** post is designed to mount towards the center of the tread, and the **BR** post is designed to mount towards the rear of the tread.*

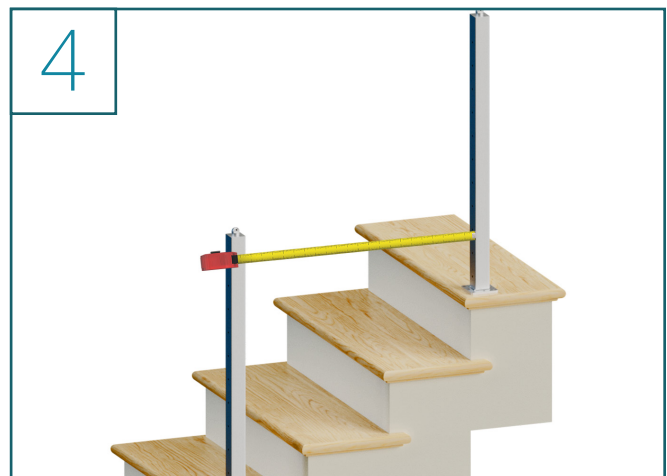
Note: You can identify the post by the information stamped onto the bottom of the foot.



- Run a string along the top of the posts to ensure the angle is correct and the posts tops are at the same height



- Run string through the bottom holes of each post to ensure the infill would not hit the nosing of the treads



- Measure & verify the distance between posts against your drawings
- Distances between posts should closely match the distances on the drawings

Angle Surface Mount Post Installation Steps (Continued)



5

Traditional Stair Installation



6

Traditional Stair Installation

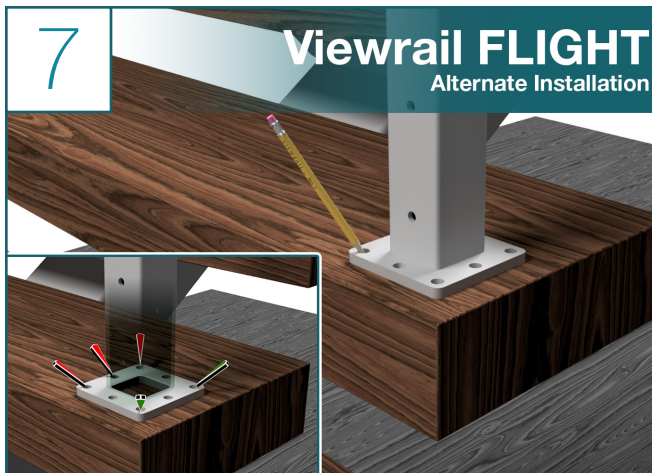
If mounting post on to traditional stair treads

- If posts placements are correct, begin to mark your pilot hole placements
- At least four holes must be populated, with at least one hole on each side

Note: The edge of the post foot should be no closer than 1" to any edge of the tread

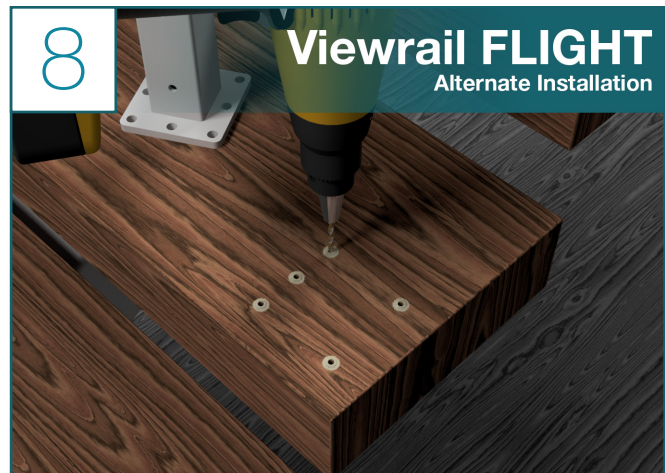
If mounting post on to traditional stair treads

- Using a $\frac{3}{16}$ " wood drill bit, drill a pilot hole for each marked location
- Pilot holes must be 3" when using $3\frac{1}{2}$ " screws, or 2" when using $2\frac{1}{2}$ " screws



7

Viewrail FLIGHT Alternate Installation



8

Viewrail FLIGHT Alternate Installation

If mounting post on to Viewrail FLIGHT treads

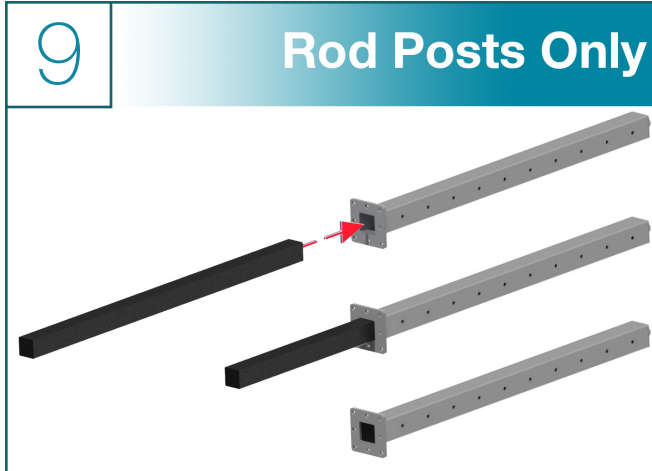
- Place the post on the correct tread
- Mark a minimum of 5 hole locations
- Ensuring to utilize all 3 holes on the inside of the foot (highlighted in red above)

Note: The edge of the post foot should be no closer than 1" to any edge of the tread

If mounting post on to Viewrail FLIGHT treads

- Remove the post from the tread
- Using a $\frac{13}{64}$ " wood drill bit, drill a pilot hole for each marked location
- Pilot holes must be $2\frac{1}{2}$ " when using the 3" hex lag screws

Angle Surface Mount Post Installation Steps (Continued)

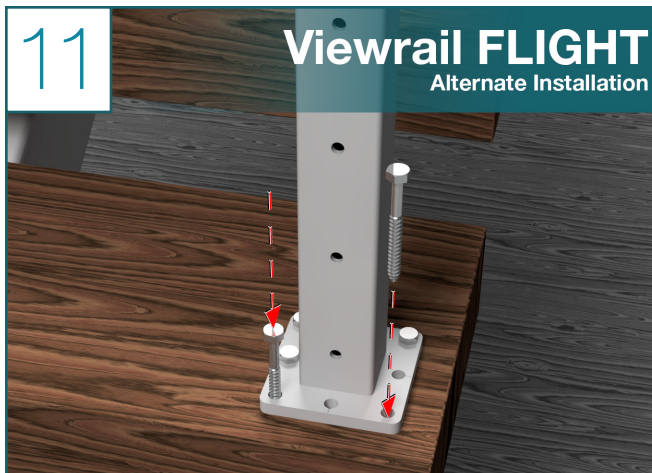


- Slide the Foam Insert into each post
- This ensures that the rods will not rattle & make noise



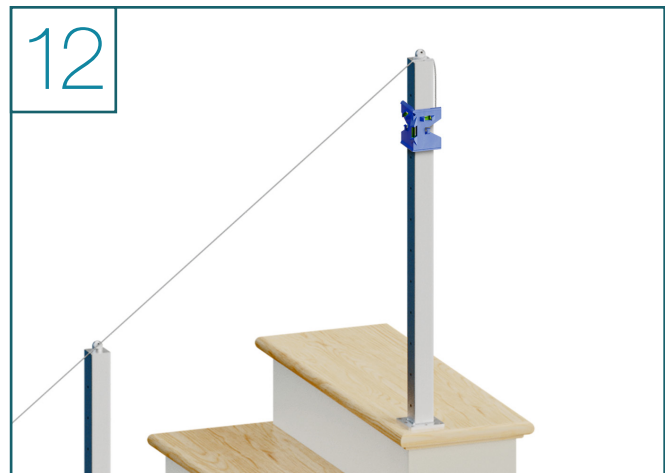
If mounting post on to traditional stair treads

- Using the T-30 Torx Bit, screw the post mounting screws down snug through the 5/16" stainless steel washers



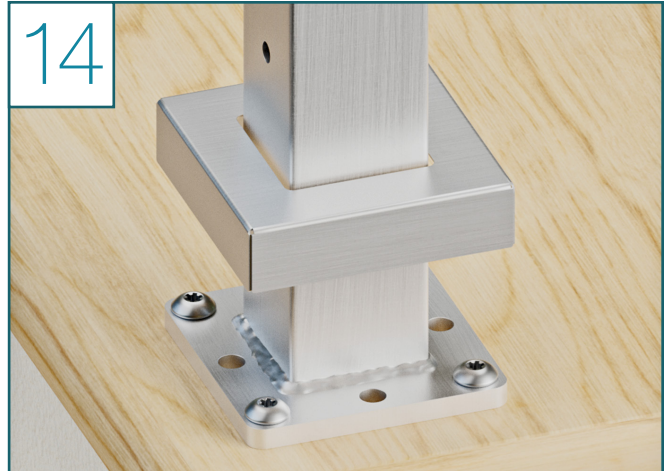
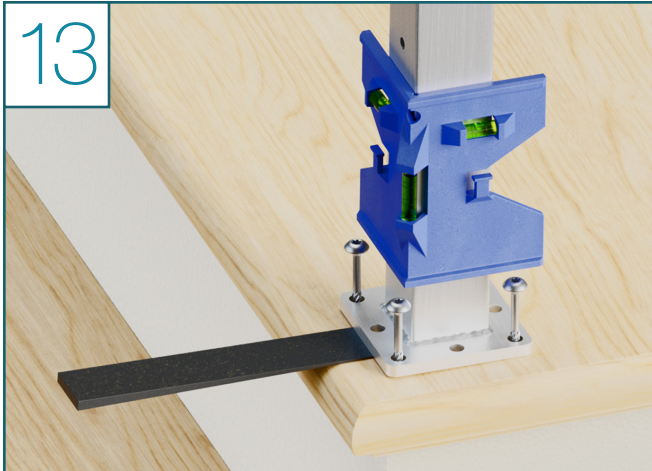
If mounting post on to Viewrail FLIGHT treads

- Place the post back on to the tread and align the holes
- Using a 7/16" socket on an impact drill or socket wrench, secure the (qty 5) 3" lags into the tread



- Use the post level to make sure the post is plumb

Angle Surface Mount Post Installation Steps (Continued)



- If the post isn't level, back out mounting screws and use provided shims
- Snap off any excess shim material
- Slide the Post Foot Cover over the Foot

Congratulations!
You're done with this section.

We'd love to see your work! Snap a few pics with your phone and send them to pictures@viewrail.com. Thanks for choosing Viewrail. Enjoy your new installation!