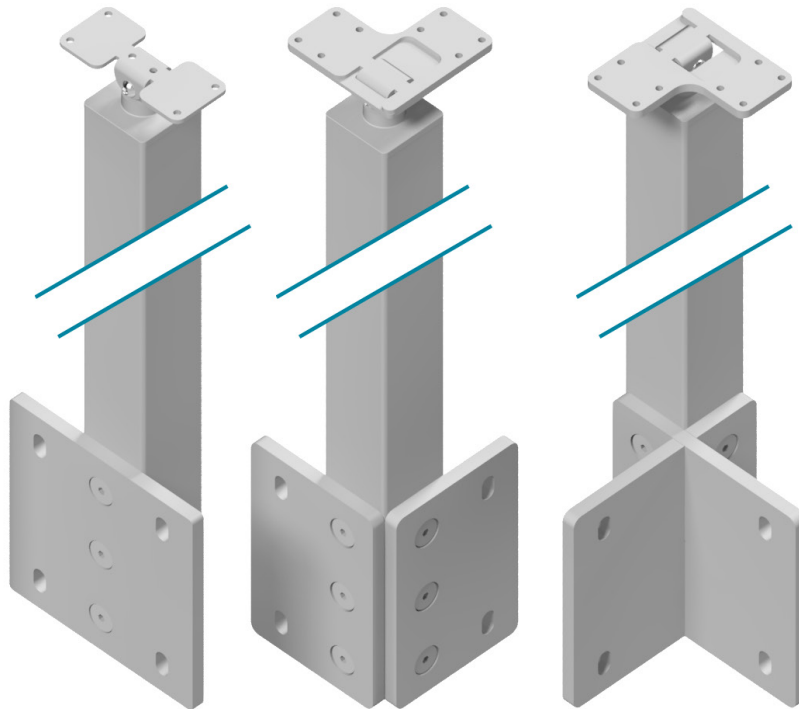
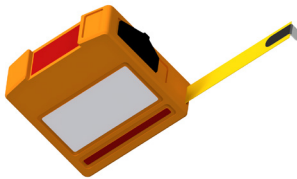




Aluminum Side Mount Post Installation Instructions



Tools Needed for this Installation



Tape Measure



Pencil



Post Level - Provided



Drill



3/16" Wood Drill Bit



T-30 Torx Bit - Provided
(Lag Screw Installation)



Socket Wrench w/ Socket
(Carriage Bolt Installation)



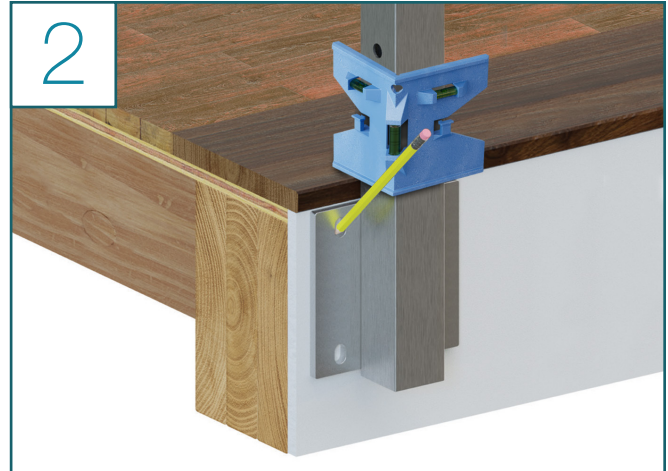
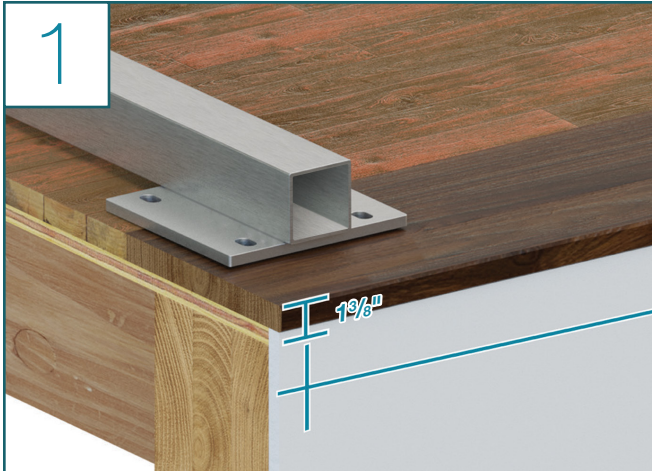
Dead Blow
Hammer

Things to Know Before You Get Started

- Read over the provided material prior to the start of your installation
- All posts are designed to be mounted to a non-compressible surface. They will not mount properly to drywall or carpet

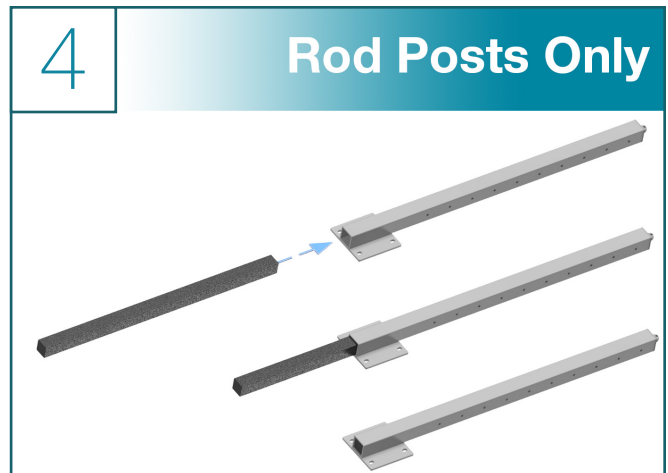


Aluminum Side Mount Post Installation Instructions



- Refer to your Layout Drawing to determine the mounting location for each of the posts
- Side mounted posts are designed for the top of the plate to mount $1\frac{3}{8}$ " beneath the surface of the flooring
- It may be helpful to mark your top line
- If you are mounting on a skirtboard / side of stairs, you will need to move the posts and mount wherever creates a 36" handrail height

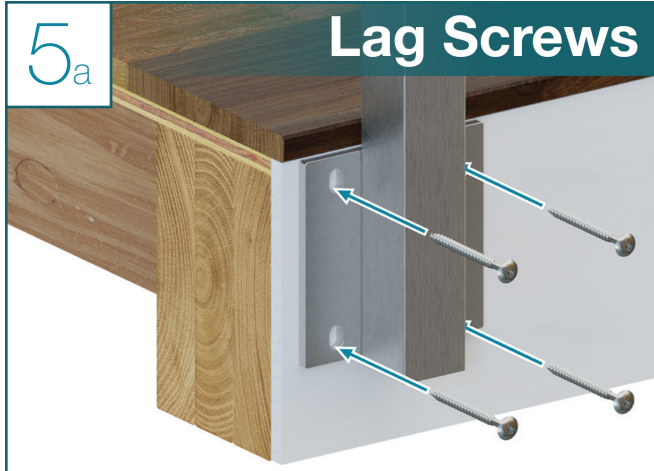
- Place posts and mark holes for pilot drilling
- It may be helpful to have someone hold the post while marking the holes



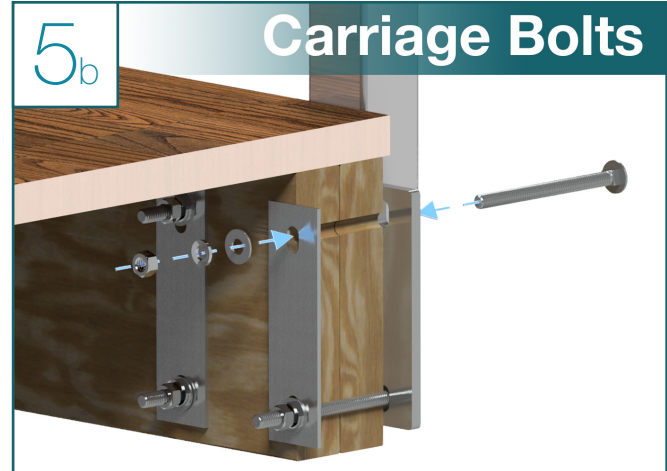
- If using Lag Screws, drill pilot holes with $\frac{3}{16}$ " bit
- Drill $\frac{5}{4}$ " holes for the 6" lags
- If using through bolts, drill your fastener holes all the way through your double 2x material

- Slide the Foam Insert into each post
- This ensures that the rods will not rattle & make noise

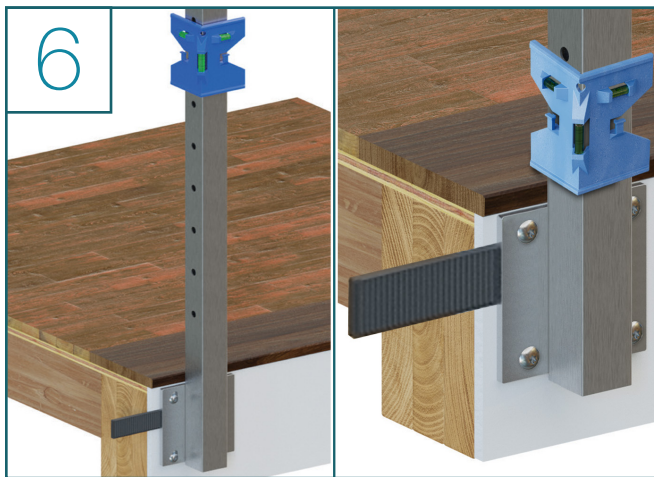
Aluminum Side Mount Post Installation Instructions (Continued)



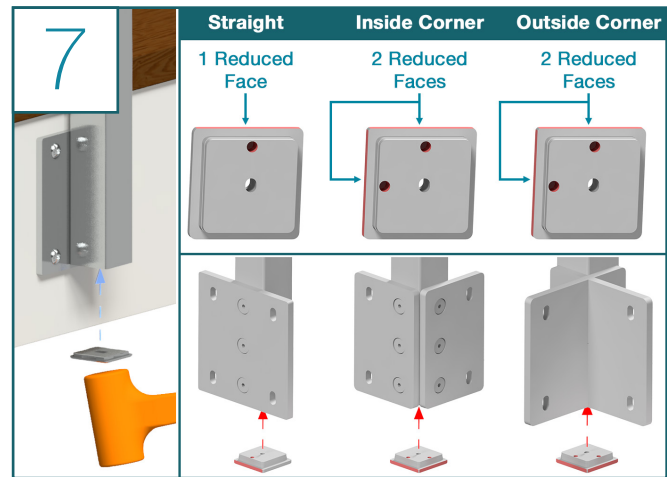
- Mount post with 4 washers and screws
- Make sure the post is snug against the fascia



- Insert the 6" carriage bolt through the side mount plate and predrilled holes
- Each set of bolts will pass through a 2"x6" steel backing plate
- Place your washer on the bolt, followed by the lock washer, and lastly the nut
- Fasten the nuts evenly and firmly into place



- Once the post is snug, use the post level to make sure the post is level
- Use the post level to make sure the post is plumb
- If the post is not completely level or plumb, use the set of shims to adjust
- Once mounted firmly in place, break off any excess shimming



- Using the diagram above, identify the correct 2x2 Post Press-In Plug for the type of post you have
- Align the 2x2 Post Press-In Plug so that the reduced face(s) will touch the mounting plate(s)
- Use a dead blow hammer, tap the end cap into the bottom of each post

Congratulations! You're done with this section.

We'd love to see your work! Snap a few pics with your phone and send them to pictures@viewrail.com. Thanks for choosing Viewrail. Enjoy your new installation!