

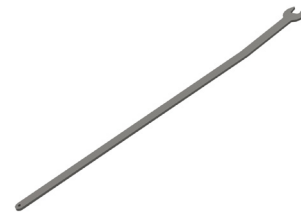
Tools Needed from the Installation Kit



Glass Suction Cup
Handles



Custom Short
Base Rail Wrench



Custom Long
Base Rail Wrench

Other Tools and Supplies Not Included in the Installation Kit

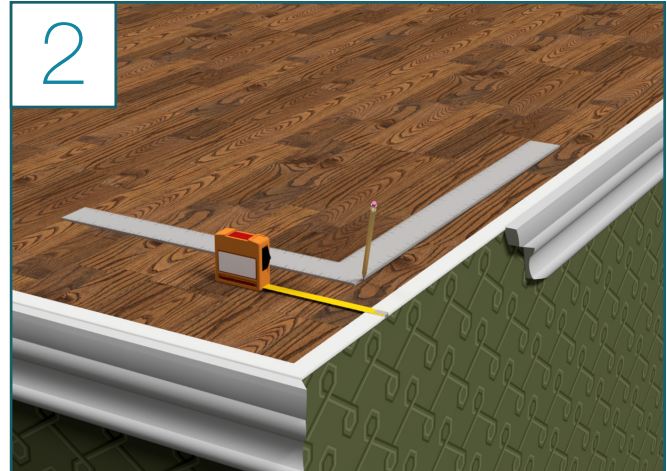
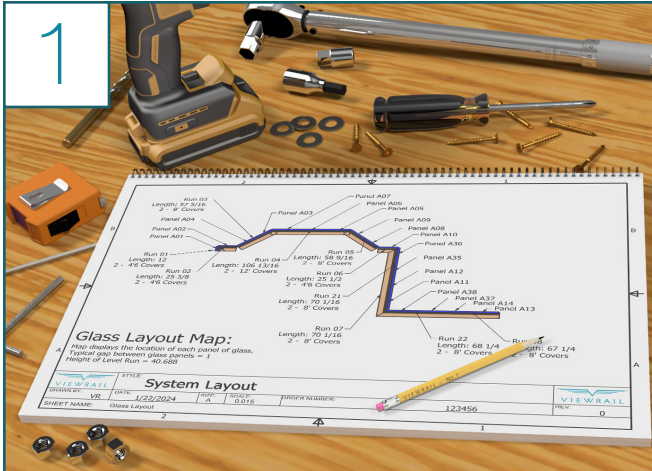
- Pencil
- Tape Measure
- Level
- Rubber Mallet
- Knife/Scissors
- Drill
- 3/4" Socket Wrench/Bit
- Silicon/Epoxy
- Miter Saw

Things to Know Before You Get Started

- Read over the provided material prior to the start of your installation
- This is, at minimum, a 2 person job
- Viewrail Glass systems and fittings are designed to have a 1" gap between panels of glass

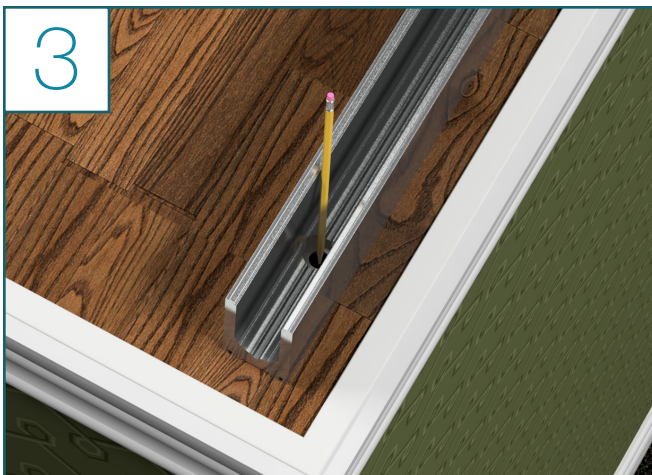


Glass Base Rail Installation Steps



- Refer to your detailed project drawing and quote list to identify the parts needed
- Prepare the parts for each run you will be working on

- Measure the distance from the edge of the mounting surface where you will mount the base rail
- Mark accordingly across the surface
- Use a chalk line to mark your full run location

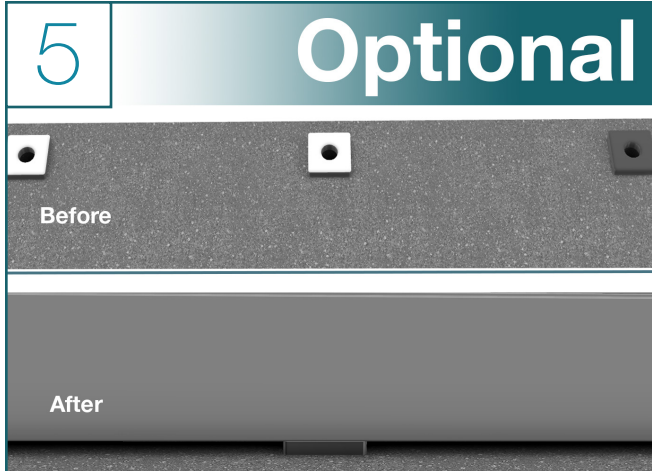


- Place your base rail parts in place so you can see the chalk line through the mounting holes
- When in place, use a pencil or pen to mark your centerline holes



- Remove the base rail and use a 3/8" drill bit to drill 3 1/2" down in each marked location

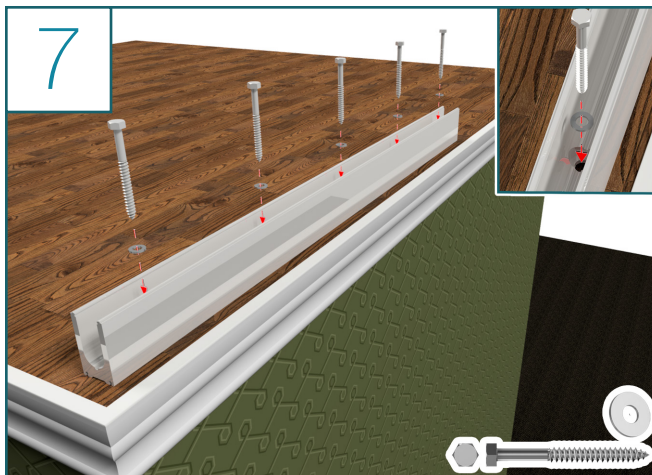
Glass Base Rail Installation Steps (Continued)



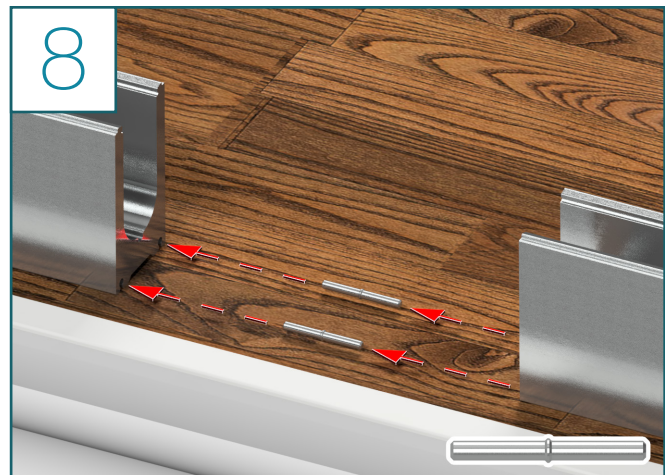
- For exterior decking that does not adequate drainage, the Base Rail Drain Block may be used to allow water to seep under the base rail
- To install, place each shim over the previously drilled holes and continue with your installation



- It may be necessary to cut the base rail to length
- It is important to leave at least 2 mounting holes on the part of the base rail you intend to use
- The minimum length that can be used 18½"
- If you need a smaller section then, you would need to cut the preceding base rail down as well to allow for the next piece to be able to be mounted securely

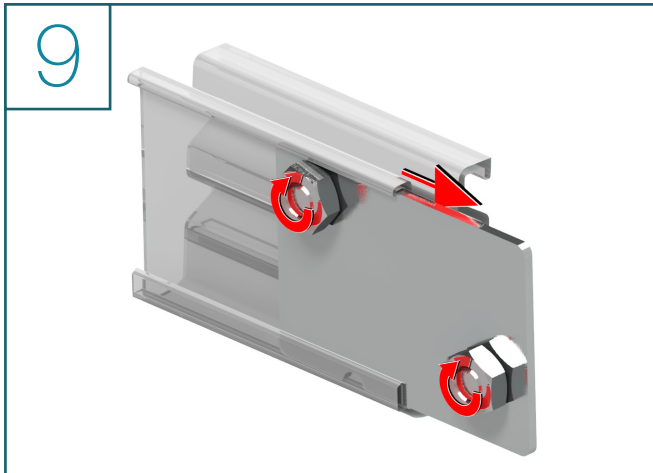


- Place your base rail where it will be mounted down
- Set the mounting washer into the mounting hole
- Using a ¾" socket wrench fasten the ½" x 4" lag down into your surface, repeat this for each mounting location on this base rail

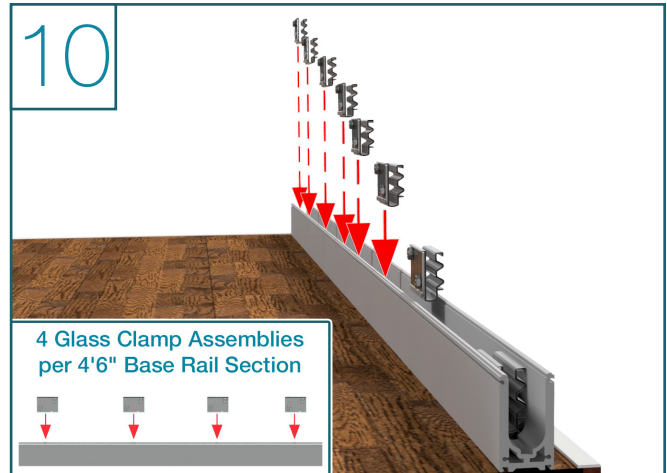


- Where two base rail lengths butt up against each other, you will need to use the joining pins to connect them
- Using a mallet or dead blow hammer, gently tap the threaded end of each pin into place until the threads are completely inserted
- Connect the two base rail lengths by sliding the second on over the pins together
- Connect the two base rails together and repeat steps 2-7 for the new base rail length

Glass Base Rail Installation Steps (Continued)

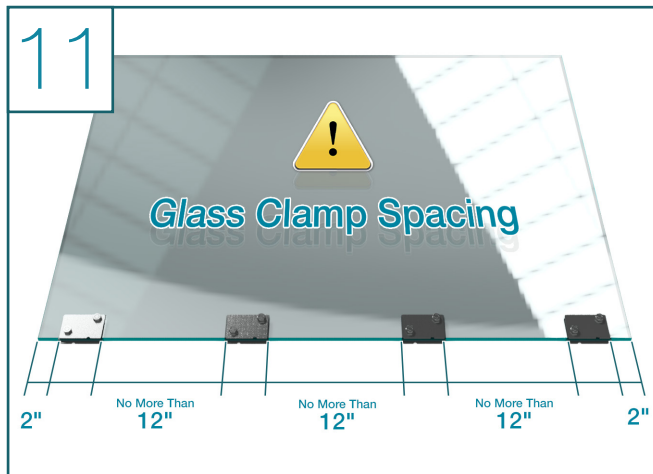


- Prepare the glass clamp assemblies by screwing the nuts up the metal plate they are mounted on
- This will allow the clamp to fit in the base rail, and the glass to fit in the clamp
- Slide the acrylic Base Rail Clamp over the metal plate



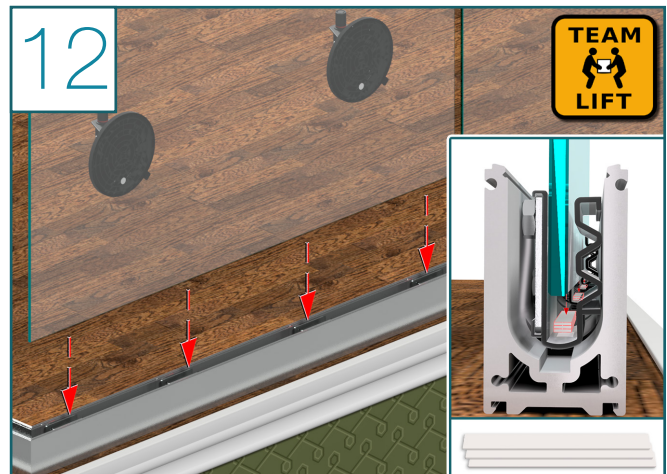
- When all your base rails are mounted down, place all the glass clamp assemblies into the channel
- You will use 4 glass clamp assemblies for every 4'6" base rail section

Note: You may not need to use all 4 glass clamps on smaller custom cut sections of base rail



- For the strongest installation, make sure to follow the glass clamp assembly spacing outlined above
- For sections that have to be cut down to fit the run, the rule of thumb is to ensure you have a glass clamp 2" from each edge of the glass panel and space the remaining clips no further than 12" apart

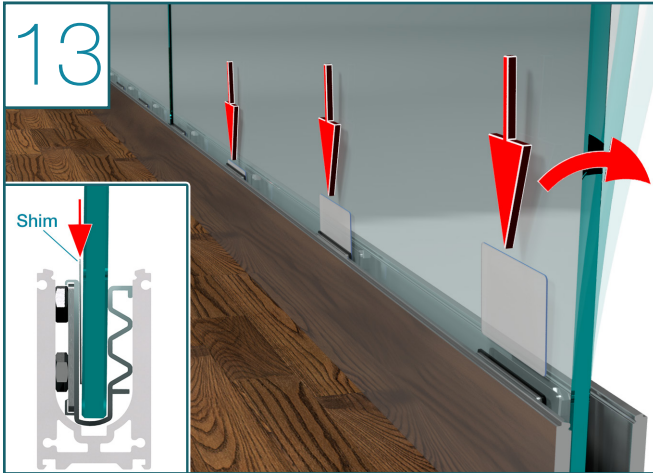
Note: You may not need to use all 4 glass clamps on smaller custom cut sections of base rail



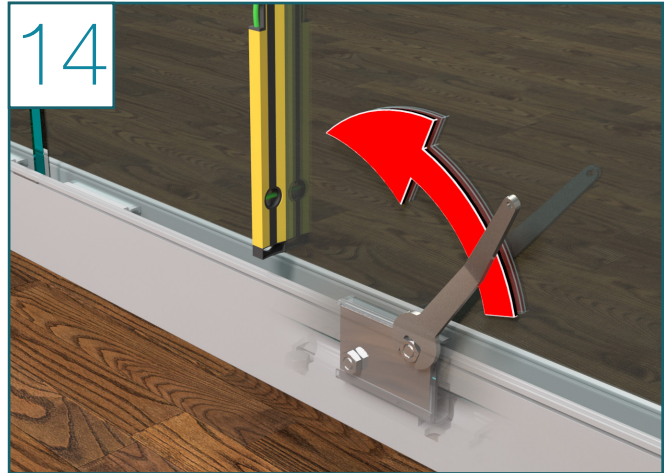
- With the grips in place, refer to your drawings and panel labels
- Use the suction cups to move each panel into place on the base rail

Note: To adjust for a sloped mounting surface, Glass Shims can be added to the glass clamps, as shown above, to line up the tops of each panel. These are able to be stacked to achieve the desired results.

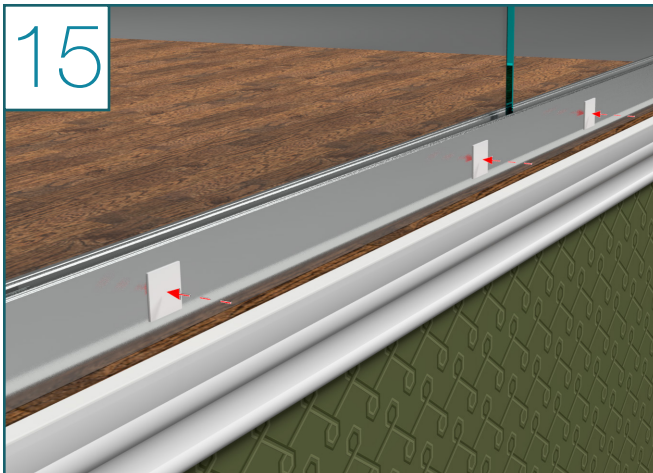
Glass Base Rail Installation Steps (Continued)



- Slide one shim in between the glass panel and the acrylic isolator
- To do this you may need to tilt the glass towards the opposite side from the base rail that you are placing the shims

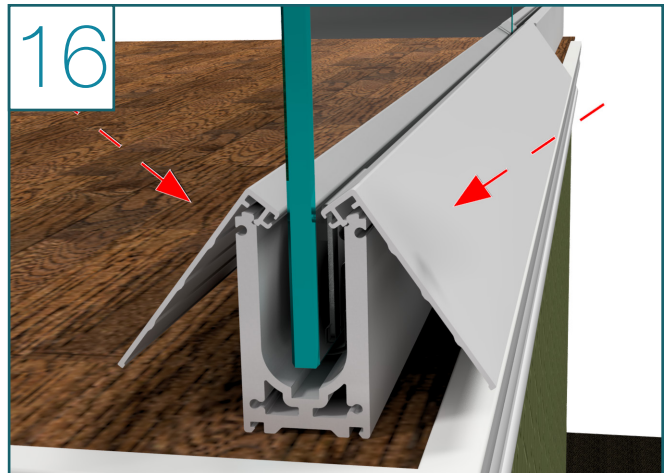


- Working from left to right adjust the nuts to start putting pressure on the glass
- Check the level once everything is snug
- If the glass is not level, go back to step 13 and add more shims to adjust the glass



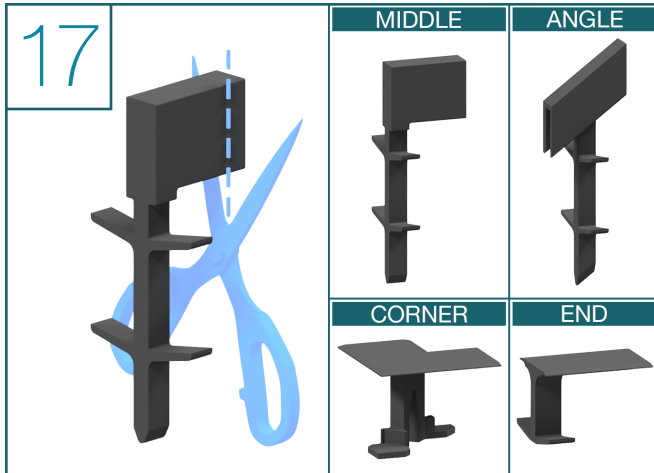
- Using the table below, stick the provided 2" adhesive pads to each base rail section using the table below

| Base Rail Cover Length | Number of Adhesive Pads to Use per Side |
|------------------------|---|
| 4' 6" (54 Inches) | 2 |
| 8' (96 Inches) | 3 |
| 12' (144 Inches) | 4 |

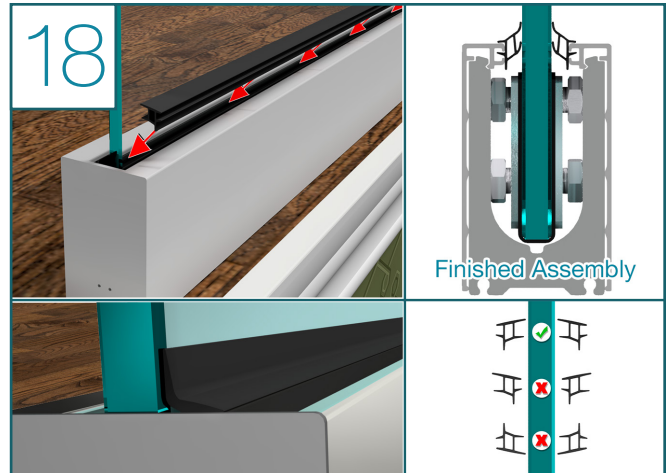


- Take each cover and clip them into place
- The lip of the cover should lock in place on the inside of the channel
- Tap them down to ensure they are seated properly
- It may be necessary to use a rubber mallet to properly seat the covers

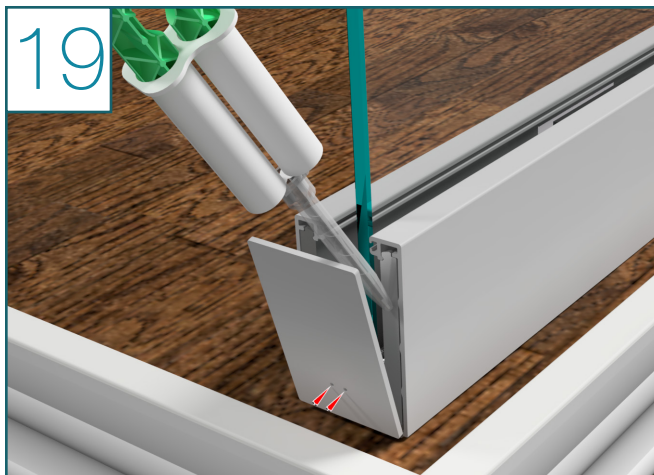
Glass Base Rail Installation Steps (Continued)



- Once the covers are fully seated, locate the Gap filler pieces
- Begin installing your gap filler pieces in between each pair of glass panels by cutting each piece to size and placing the pointed edge down into the channel
- The flexible barbs will hold each piece in place



- Measure the run & cut the gasket to length using scissors or a knife
- Make sure to not stretch the gasket when measuring it for cutting as it will shrink back to its original size and end up leaving a portion of the inner base rail exposed
- Using glass cleaner as a lubricant, begin pushing the gasket down inside the channel working from left to right



- For any exposed end of base rail, attach the Base Rail End Cap
- You can use silicone or epoxy to hold it into place
- Make sure to have the “weep hole” positioned at the bottom of the end cap and no silicone covering it up

Congratulations!
You're done with this section.

We'd love to see your work! Snap a few pics with your phone and send them to pictures@viewrail.com. Thanks for choosing Viewrail. Enjoy your new installation!