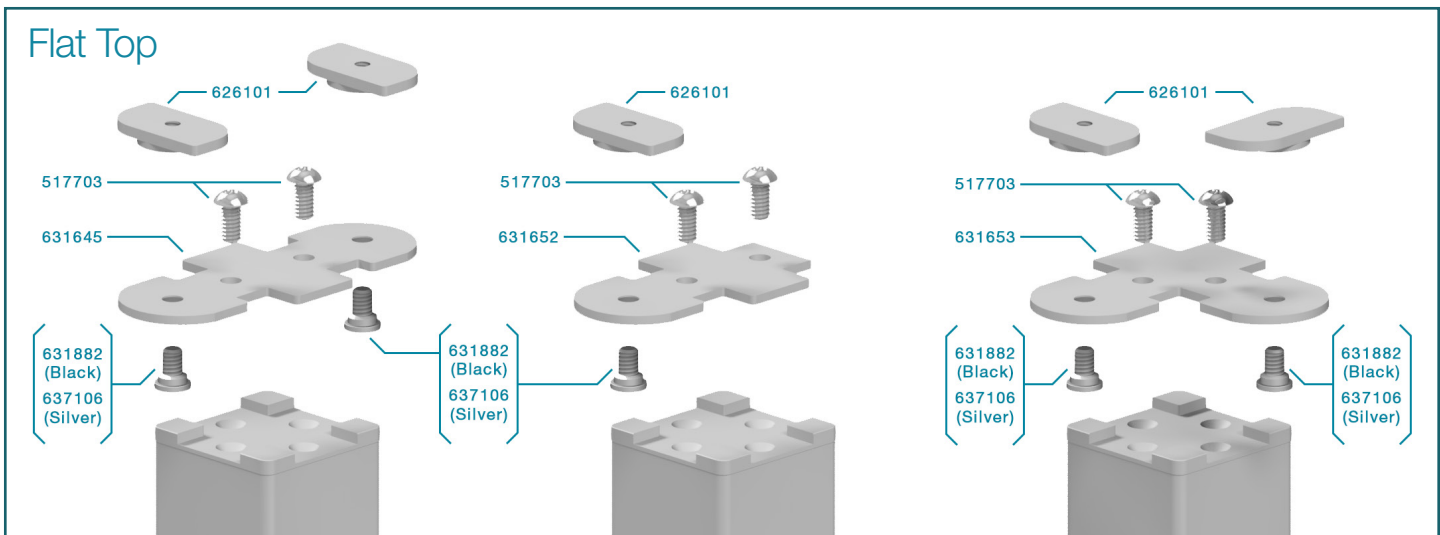
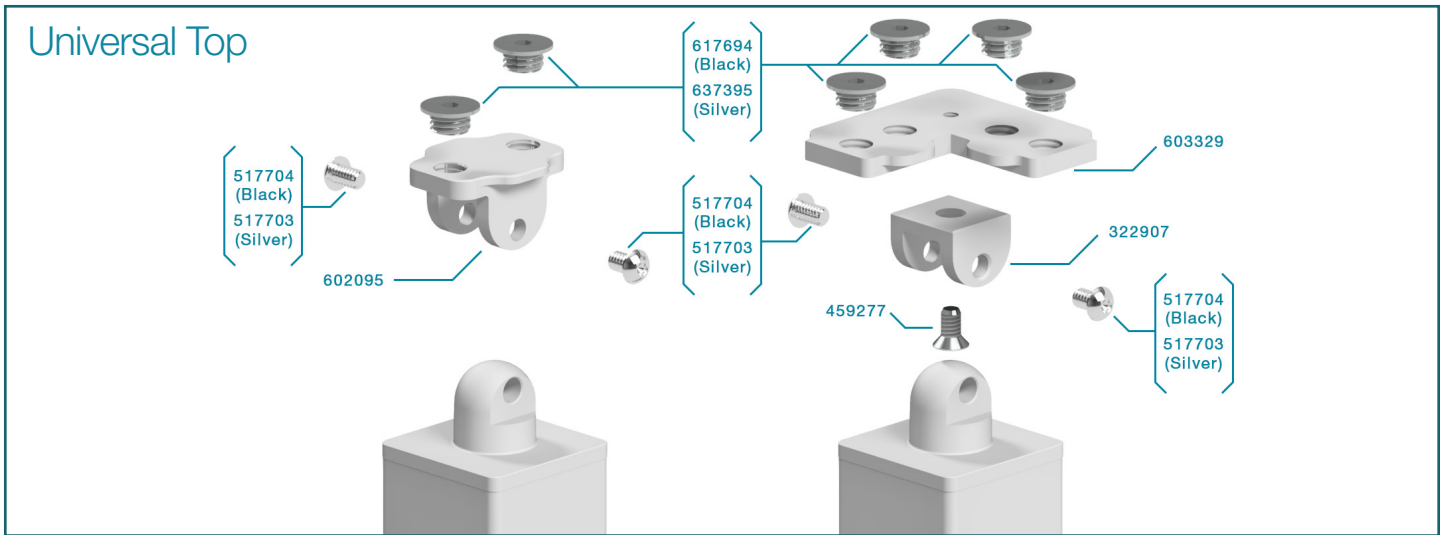


Quick Slide Handrail Brackets



Universal Top Handrail Post Parts List

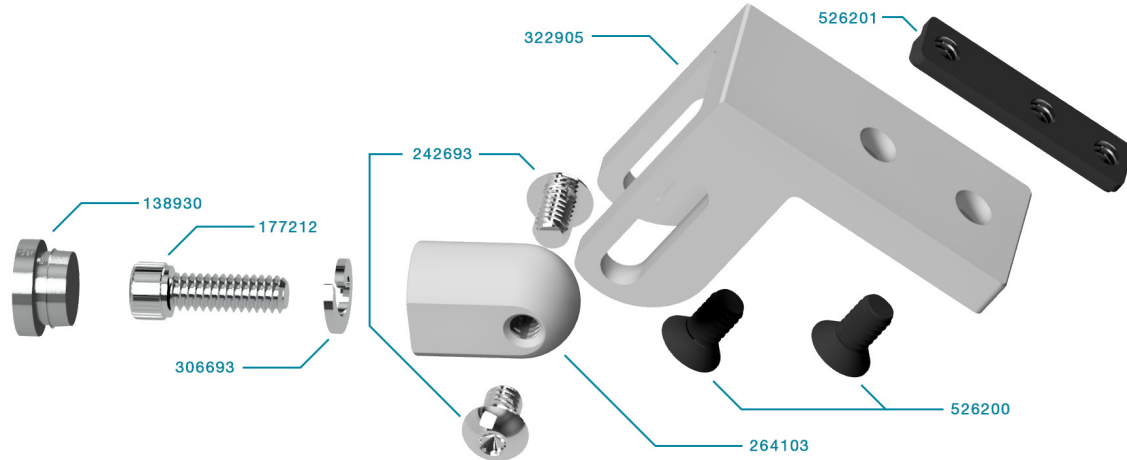
| | Part # | Qty | Description |
|-------------------------|--------|-----|---|
| Straight Bracket | 617694 | 2 | Quick Slide - Top Hat Set Screw Black Anodized - Gen 2 |
| | 637395 | | Quick Slide - Top Hat Set Screw Clear Anodized - Gen 2 |
| | 602095 | 1 | Quick Slide - Universal Straight Handrail Bracket - Gen 2 |
| | 517704 | 2 | 1/4"-20 x 1/2" BTN SOC CAP 316 Stainless - Black Finish |
| | 517703 | | 1/4"-20 x 1/2" BTN SOC CAP 18-8 Stainless - Electropolished |
| Corner Bracket | 617694 | 4 | Quick Slide - Top Hat Set Screw Black Anodized - Gen 2 |
| | 637395 | 4 | Quick Slide - Top Hat Set Screw Clear Anodized - Gen 2 |
| | 603329 | 1 | Quick Slide - Universal Top Corner Bracket - Gen 2 |
| | 322907 | 1 | Quick Slide - Corner Bracket Dome Connector |
| | 459277 | 1 | 1/4-20 x .575" Reduced Head 6061 82° Screw |
| | 517704 | 2 | 1/4"-20 x 1/2" BTN SOC CAP 316 Stainless - Black Finish |
| | 517703 | | 1/4"-20 x 1/2" BTN SOC CAP 18-8 Stainless - Electropolished |

Flat Top Handrail Post Parts List

| | Part # | Qty | Description |
|-------------------------|--|-----|---|
| Straight Bracket | 626101 | 2 | Quick Slide Flat Top Plate Nut - Gen 2 |
| | 517703 | 2 | 1/4"-20 x 1/2" BTN SOC CAP 18-8 Stainless - Electropolished |
| | 631645 | 1 | Quick Slide Flat Top Straight Bracket - Gen 2 |
| | 631882 | 2 | Quick Slide Flat Top Screw Black Anodized - Gen 2 |
| | 637106 | | Quick Slide Flat Top Screw Silver Anodized - Gen 2 |
| Half Bracket | 626101 | 1 | Quick Slide Flat Top Plate Nut - Gen 2 |
| | 517703 | 2 | 1/4"-20 x 1/2" BTN SOC CAP 18-8 Stainless - Electropolished |
| | 631652 | 1 | Quick Slide Flat Top Half Bracket - Gen 2 |
| | 631882 | 1 | Quick Slide Flat Top Screw Black Anodized - Gen 2 |
| 637106 | Quick Slide Flat Top Screw Silver Anodized - Gen 2 | | |
| Corner Bracket | 626101 | 2 | Quick Slide Flat Top Plate Nut - Gen 2 |
| | 517703 | 2 | 1/4"-20 x 1/2" BTN SOC CAP 18-8 Stainless - Electropolished |
| | 631653 | 1 | Quick Slide Flat Top Corner Bracket - Gen 2 |
| | 631882 | 2 | Quick Slide Flat Top Screw Black Anodized - Gen 2 |
| 637106 | Quick Slide Flat Top Screw Silver Anodized - Gen 2 | | |

Post Transition Handrail Bracket

PN: 474388

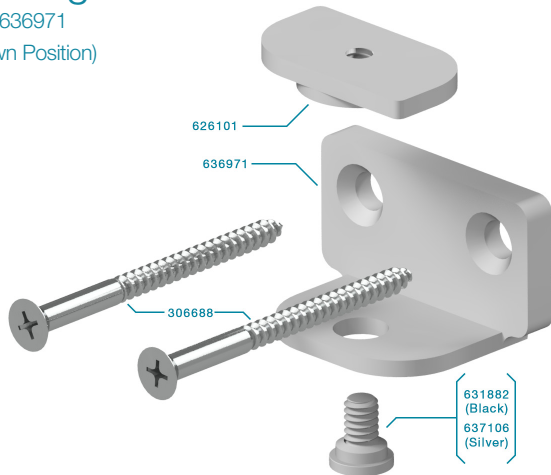


| Part # | Qty | Description |
|--------|-----|---|
| 526201 | 1 | Quick Slide Nut Retainer |
| 322905 | 1 | Quick Slide - Adjustable Handrail Bracket |
| 526200 | 2 | 1/4-20 x .468" Reduced Head 6061 82" Screw |
| 264103 | 1 | VR461 Adjustable Postside Dome |
| 242693 | 2 | 1/4"-20 x 3/8" BTN SOC CAP 18-8 Stainless - Electropolished |
| 306693 | 1 | 1/4" Stainless Steel Split Lock Washer |
| 177212 | 1 | 1/4-20 x 5/8" Socket Head Cap Screw - Stainless Steel |
| 138930 | 1 | Steel Plug |

90 Degree L Bracket

PN: 636971

(Down Position)

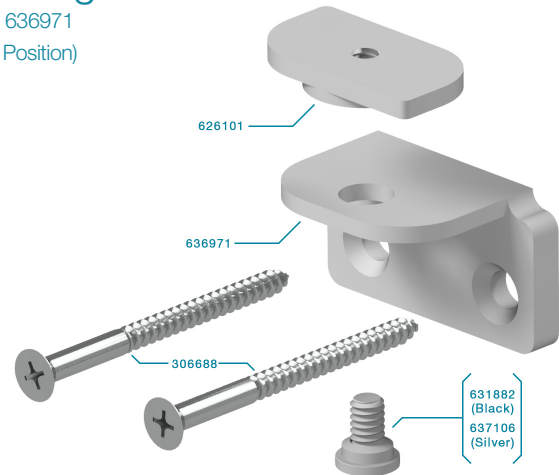


| Part # | Qty | Description |
|--------|-----|---|
| 626101 | 1 | Quick Slide Flat Top Plate Nut - Gen 2 |
| 636971 | 1 | Quick Slide - 90 Degree L Bracket - Gen 2 |
| 306688 | 2 | Stainless Steel Wood Screw |
| 631882 | 2 | Quick Slide Flat Top Screw Black Anodized - Gen 2 |
| 637106 | 2 | Quick Slide Flat Top Screw Clear Anodized - Gen 2 |

90 Degree L Bracket

PN: 636971

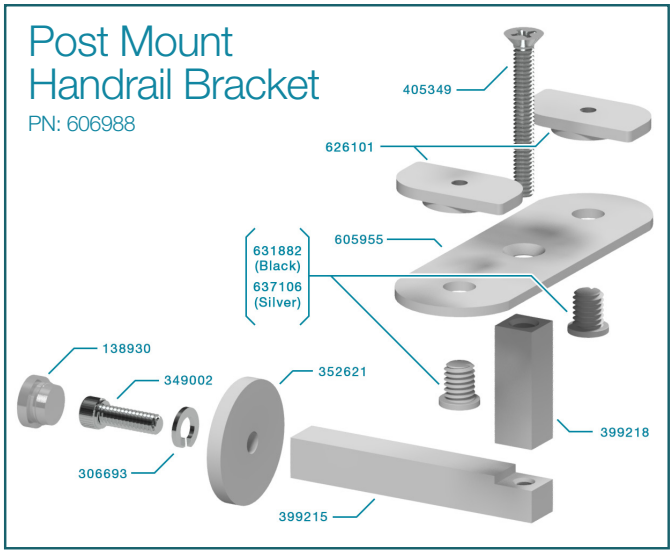
(Up Position)



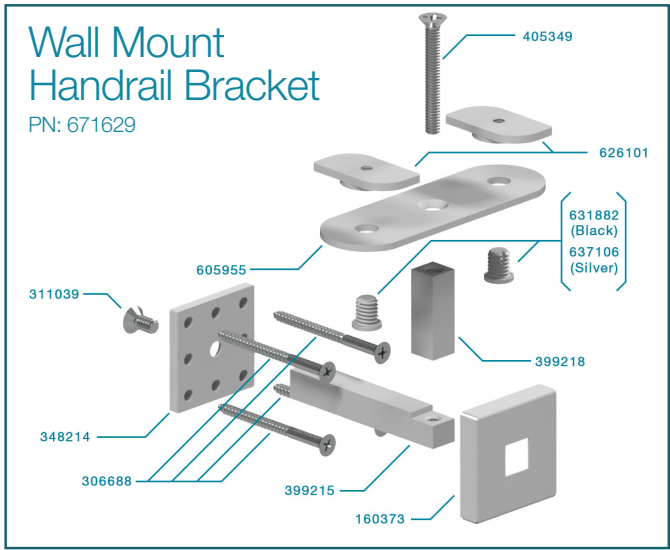
| Part # | Qty | Description |
|--------|-----|---|
| 626101 | 1 | Quick Slide Flat Top Plate Nut - Gen 2 |
| 636971 | 1 | Quick Slide - 90 Degree L Bracket - Gen 2 |
| 306688 | 2 | Stainless Steel Wood Screw |
| 631882 | 2 | Quick Slide Flat Top Screw Black Anodized - Gen 2 |
| 637106 | 2 | Quick Slide Flat Top Screw Clear Anodized - Gen 2 |

Special Note Regarding the 90 Degree L Bracket

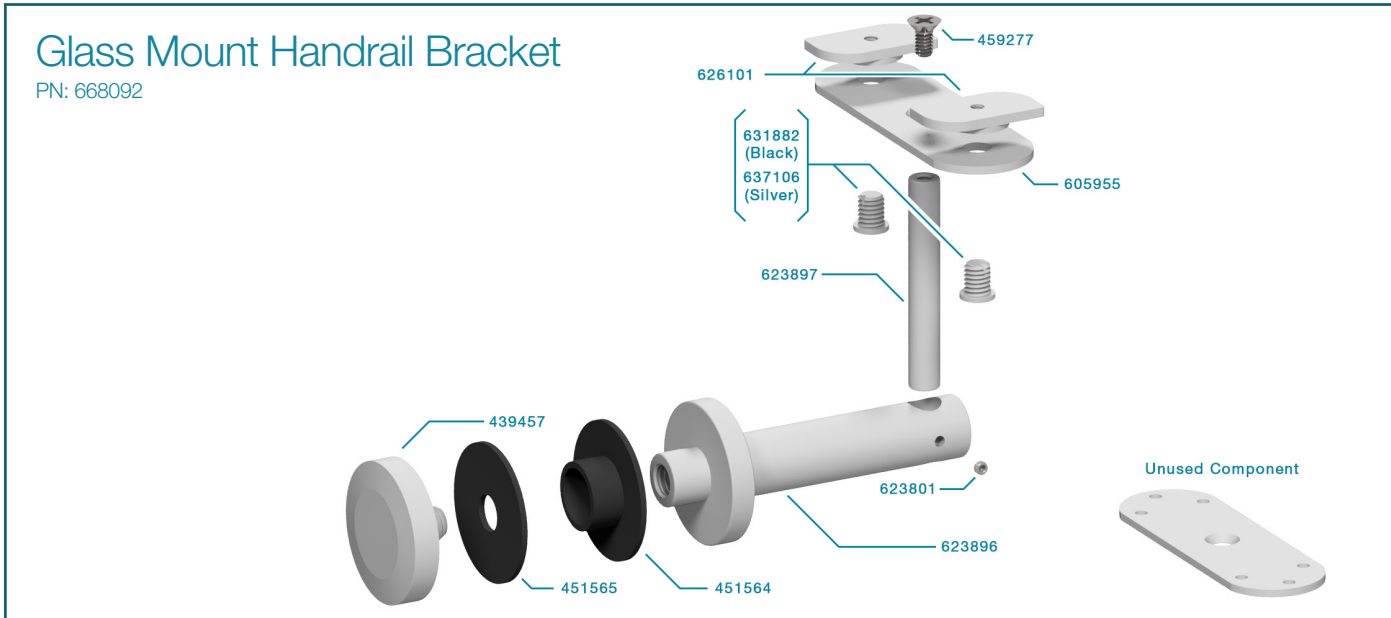
The L bracket itself can be mount either in the **'Down Position'** as shown above, to the left, or in the **'Up Position'** as show to the right. The **'Down Position'** is used for the 1"x2" Quick Slide Handrail systems. Whereas the **'Up Position'** is typically used on the Beverage Quick Slide Handrail systems.



| Part # | Qty | Description |
|--------|-----|---|
| 405349 | 1 | 1/4"-20 x 2" Phillips Drive Flat Head Screw - 316SS |
| 626101 | 2 | Quick Slide Flat Top Plate Nut - Gen 2 |
| 605955 | 1 | Alum Handrail Quick Slide Bracket |
| 631882 | 2 | Quick Slide Flat Top Screw Black Anodized - Gen 2 |
| 637106 | | Quick Slide Flat Top Screw Clear Anodized - Gen 2 |
| 399218 | 1 | VR453/454 Handrail Bracket Pillar Stem |
| 399215 | 1 | VR453/454 Handrail Bracket Base Stem |
| 352621 | 1 | VR454 Handrail Bracket Post Mount Plate |
| 306693 | 1 | 1/4" Stainless Steel Split Lock Washer |
| 349002 | 1 | 1/4-20 x 3/4" Socket Head Cap Screw - Stainless Steel |
| 138930 | 1 | Steel Plug |



| Part # | Qty | Description |
|--------|-----|---|
| 405349 | 1 | 1/4"-20 x 2" Phillips Drive Flat Head Screw - 316SS |
| 626101 | 2 | Quick Slide Flat Top Plate Nut - Gen 2 |
| 605955 | 1 | Alum Handrail Quick Slide Bracket |
| 631882 | 2 | Quick Slide Flat Top Screw Black Anodized - Gen 2 |
| 637106 | | Quick Slide Flat Top Screw Clear Anodized - Gen 2 |
| 399218 | 1 | VR453/454 Handrail Bracket Pillar Stem |
| 399215 | 1 | VR453/454 Handrail Bracket Base Stem |
| 160373 | 1 | VR453 Handrail Bracket Cover |
| 348214 | 1 | VR453 Handrail Bracket Wall Mount Plate |
| 311039 | 1 | 1/4-20 x 1/2" Phillips Flat Head |
| 306688 | 4 | Stainless Steel Wood Screw |



| Part # | Qty | Description |
|--------|-----|---|
| 459277 | 1 | 1/4-20 x .575" Reduced Head 6061 82° Screw |
| 626101 | 2 | Quick Slide Flat Top Plate Nut - Gen 2 |
| 605955 | 1 | Alum Handrail Quick Slide Bracket |
| 631882 | 2 | Quick Slide Flat Top Screw Black Anodized - Gen 2 |
| 637106 | | Quick Slide Flat Top Screw Clear Anodized - Gen 2 |
| 623897 | 1 | Alum Glass Handrail Adjust Stem |

| Part # | Qty | Description (Continued) |
|--------|-----|--|
| 623896 | 1 | Alum Glass Handrail Bracket Stem |
| 623801 | 1 | Set Screw 10-32 x 1/8" Stainless |
| 451564 | 1 | Gasket Combined .781 ID x 1.94 OD x .090 THK |
| 451565 | 1 | Gasket .51 ID x 1.94 OD x .090 THK |
| 439457 | 1 | 2" Interior Standoff Pin End Cap |