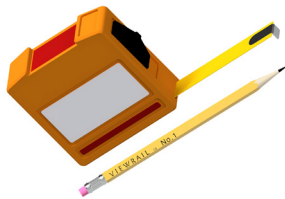


Tools Needed for this Installation



Tape Measure & Pencil



Drill



1/4" x 6" Wood Drill Bit



Impact Drill



1/2" Socket Bit



Post Level
(Provided)



1/2" Open Ended Wrench



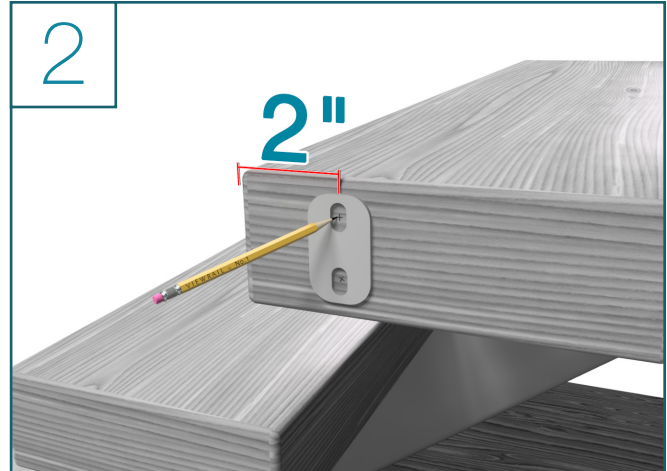
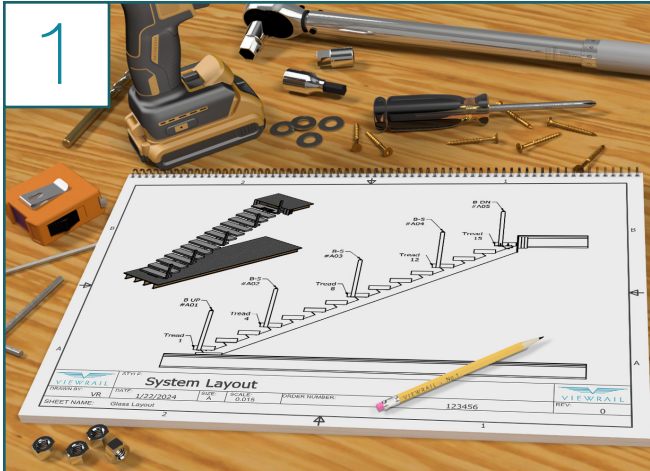
Dead Blow Hammer

Things to Know Before You Get Started

- Read over the provided material prior to the start of your installation
- Many of our products are aided by a second or third set of hands, in some cases it can be a necessity. Plan accordingly.
- Thick Tread Side Mounted Posts are designed for mounting to treads that are at least 3 1/2" thick. DO NOT attempt to mount Tread Side Mount Posts to treads less than 3 1/2" thick.



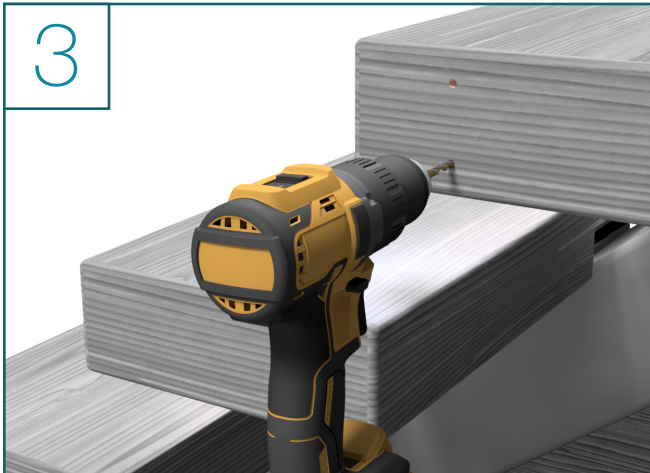
Thick Tread Side Mounted Post Installation Steps



- Refer to your Layout Drawing to determine the mounting location for each of the posts
- Set aside the following parts and hardware for each post
 - 1 - Post Tube Assembly
 - 1 - Tread Side Mount Post Doubler Plate
 - 2 - $\frac{3}{8}$ " x 5" Hex Head Lag Screws
 - 1 - Post Plug

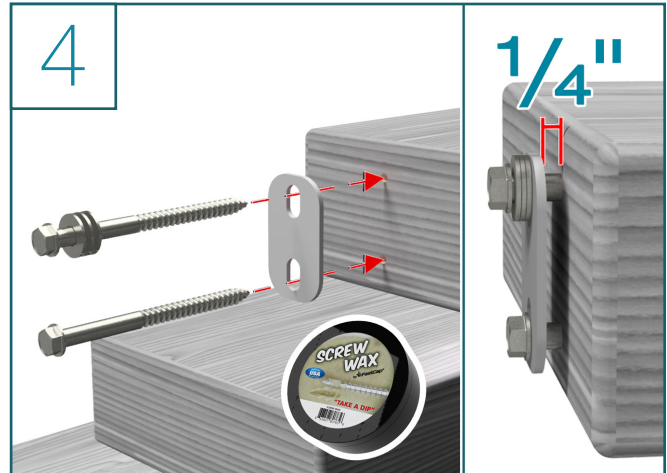
- Center the Doubler Plate 2" from the front of the tread, and mark the center of each hole
- When properly marked, pilot holes should be 2" apart on center

Note: For Inset Tread Mounted Post systems, the tread will be predrilled.



- Drill a $\frac{5}{16}$ " pilot hole in both marked locations using the provided $\frac{1}{4}$ " x 6" wood drill bit

Note: For Inset Tread Mounted Post systems, the tread will be predrilled.



- Position the Doubler Plate over the pilot holes
- Stack 3 Stainless Steel Washers on to a $\frac{3}{8}$ " x 5" Hex Head Lag Screw and position it to go into the top hole of the Doubler Plate - No washers go on the bottom lag
- Run Lag Bolts into each of the pilot holes using the provided screw wax

Note: The purpose of the washers is to off set the two lag screws, making both accessible for tightening.

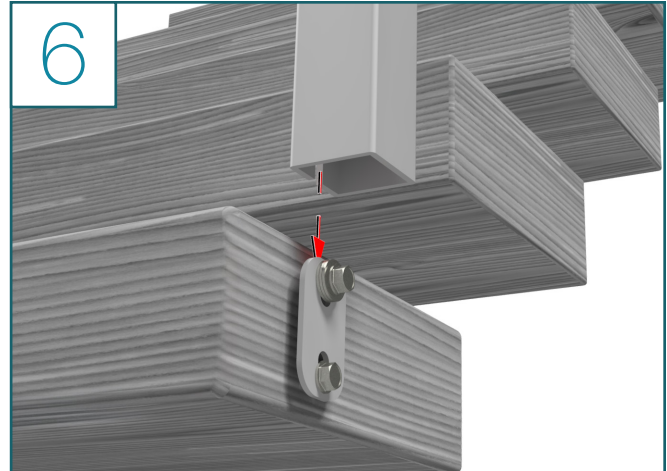
Note: Do not seat Lag Screws full depth during this step. Leave $\frac{1}{4}$ " between the tread and the doubler plate. This will allow for the post to slide down between the tread and plate.

Thick Tread Side Mounted Post Installation Steps (Continued)

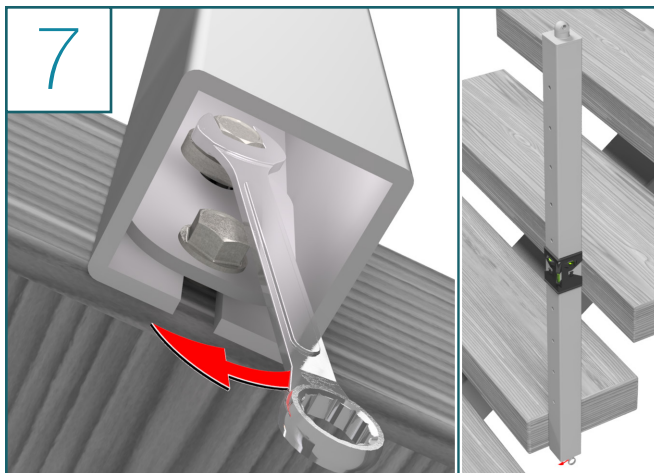


For Rod Infill Only

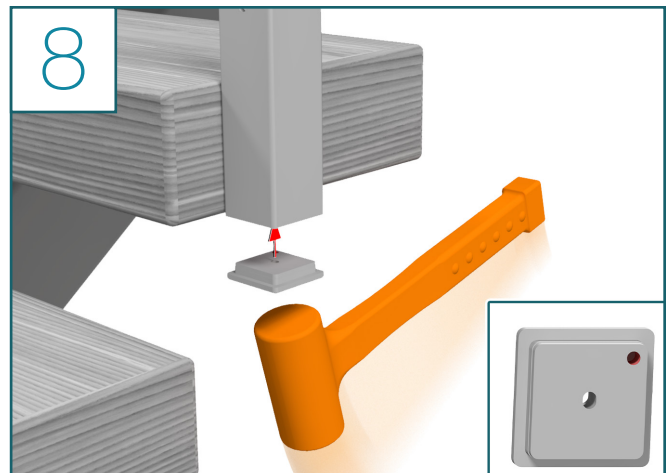
- Slide the Foam Insert into each post
- This ensures that the rods will not rattle & make noise



- Slide the slotted side of your Tread Side Mount Post over the Doubler Plate



- Using an open end wrench, tighten the top lag bolt, then the bottom lag bolt, until the post is mounted tightly against the tread
- During this process, use the provided post level to ensure that the post is plumb



- Once your post is plumb and secure, tap in your Tread Side Mount Post Plug with a rubber mallet

Note: If the post plug is powder coated, cover with a cloth while tapping to protect the finish. It may still be necessary to touch up the finish once the entire job is complete.

Congratulations! You're done with this section.

We'd love to see your work! Snap a few pics with your phone and send them to pictures@viewrail.com. Thanks for choosing Viewrail. Enjoy your new installation!